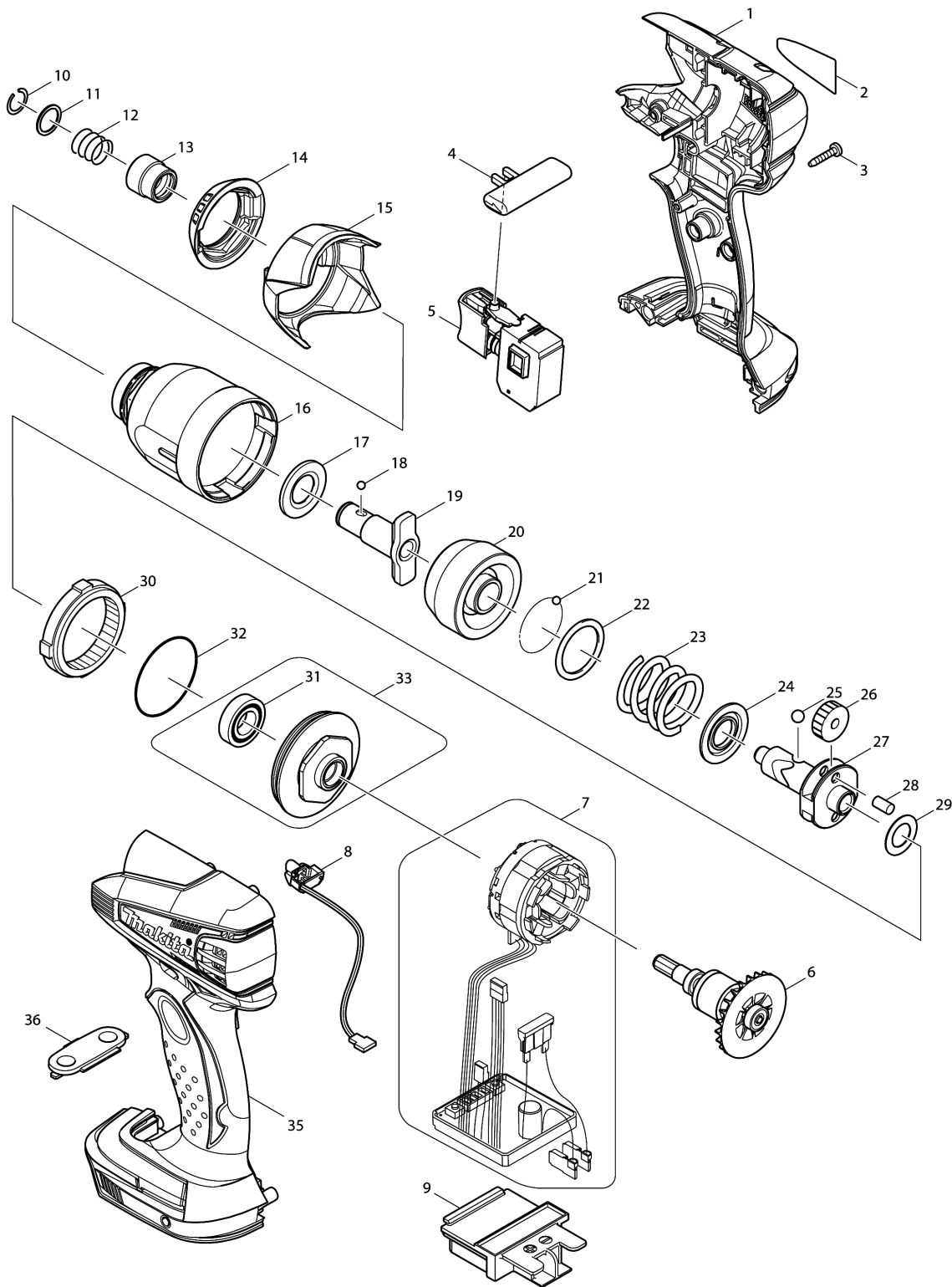


Model No.BTD145 CORDLESS IMPACT DRIVER



Model No.BTD145 CORDLESS IMPACT DRIVER

Item	Parts No.	Description	I/C	Qty	New/Old	Opt. 1	Opt. 2	Note
001	188922-5	HOUSING SET		1				
C10	263005-3	RUBBER PIN 6		2				
D10		INC. 35						
002	868465-0	BTD145 NAME PLATE		1	*			
002-1	868150-5	BTD145 NAME PLATE	O	1	*			
002-2	897316-0	BTD145 NAME PLATE	<	1				
003	266130-9	TAPPING SCREW BIND PT 3X16		9	*			
003-1	266429-2	TAPPING SCREW 3X16	O	9				
004	419041-9	F/R CHANGE LEVER		1				
005	650632-9	SWITCH		1				
006	619239-0	ROTOR		1				
007	638723-6	STATOR UNIT		1				
C10	195262-4	CONTROLLER SET		1				
C20	194923-3	STATOR SET		1				
008	631829-9	LED CIRCUIT		1				
009	643833-6	TERMINAL		1				
010	231951-8	RING SPRING 11		1				
011	267085-1	FLAT WASHER 12		1				
012	233005-7	COMPRESSION SPRING 13		1				
013	324420-7	SLEEVE		1				
014	424362-6	BUMPER		1				
015	452294-7	HAMMER CASE COVER		1				
016	154590-6	HAMMER CASE COMPLETE		1				
017	261108-7	NYLON WASHER 14		1				
018	216001-0	STEEL BALL 3.5		2				
019	324432-0	ANVIL M		1				
020	325671-5	HAMMER		1				
021	216001-0	STEEL BALL 3.5		24				
022	267175-0	FLAT WASHER 24		1				
023	234082-2	COMPRESSION SPRING 25		1				
024	267766-7	CUP WASHER 14		1				
025	216011-7	STEEL BALL 5.6		2				
026	227233-4	SPUR GEAR 22		2	*			
026-1	227362-3	SPUR GEAR 22	<	2				
027	324552-0	SPINDLE		1				
028	256253-1	PIN 5		2				
029	267212-0	FLAT WASHER 12		1				
030	227150-8	INTERNAL GEAR 51		1				
031	211140-1	BALL BEARING 6901LLB		1	*			
032	213507-9	O RING 40		1				
033	158145-9	BEARING BOX COMPLETE		1				
D10		INC. 31			*			

Please order the parts with part number.

Print Date 25/6/2019

Model No.BTD145 CORDLESS IMPACT DRIVER

Item	Parts No.	Description	I/C	Qty	New/Old	Opt. 1	Opt. 2	Note
035	188922-5	HOUSING SET		1				
C10	263005-3	RUBBER PIN 6		2				
D10		INC. 1						
036	140574-0	SWITCH PLATE COMPLETE		1				
A01	266622-8	+ TRUSS HEAD SCREW M4X12		1				
A02	346317-0	HOOK		1				
A03B	***DC18RA	DC18RA FAST CHARGER		1	*			
A03-1B	***DC18RC	DC18RC FAST CHARGER	<	1				
A04B	194204-5	BATTERY BL1830 SET		2	*			
A04-1B	194204-5	BATTERY BL1830 SET	O	2	*			
A04-2B	194204-5	BATTERY BL1830 SET	O	2	*			
A04-3B	197600-6	BATTERY BL1830B SET	<	2	*			
A04-4B	197600-6	BATTERY BL1830B SET	O	2				
A05B	450128-8	BATTERY COVER		1				
A06B	140058-8	PLASTIC CARRYING CASE		1	*			
C10	324207-7	SHAFT		1	*			
C20	413098-2	PLATE		4	*			
C30	417724-5	LATCH		2	*			
C40	419215-2	PLASTIC CASE LID		1	*			
C50	419216-0	HANDLE		1	*			
A06-1B	141239-7	PLASTIC CARRYING CASE	<	1				
C10	324207-7	SHAFT		1				
C20	413098-2	PLATE		4				
C30	417724-5	LATCH		2				
C40	419215-2	PLASTIC CASE LID		1				
C50	419216-0	HANDLE		1				
A07B	891032-6	BTD145RFE PLASTIC CASE LABEL		1				

Please order the parts with part number.

Print Date 25/6/2019