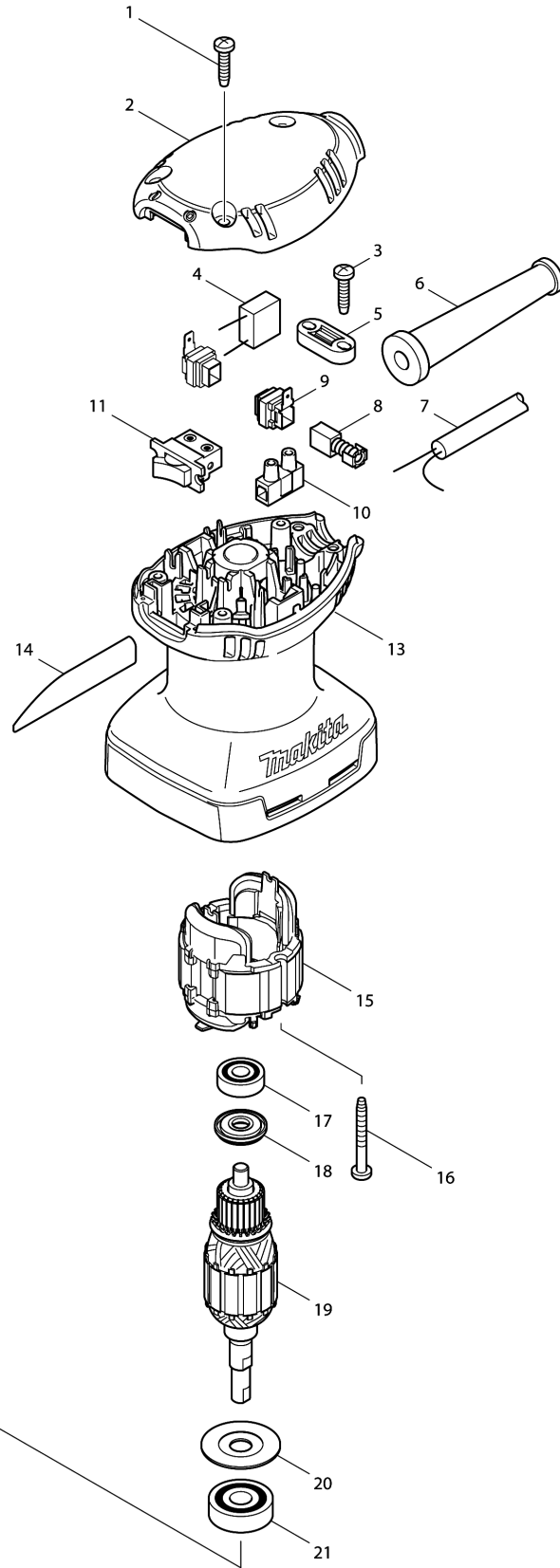
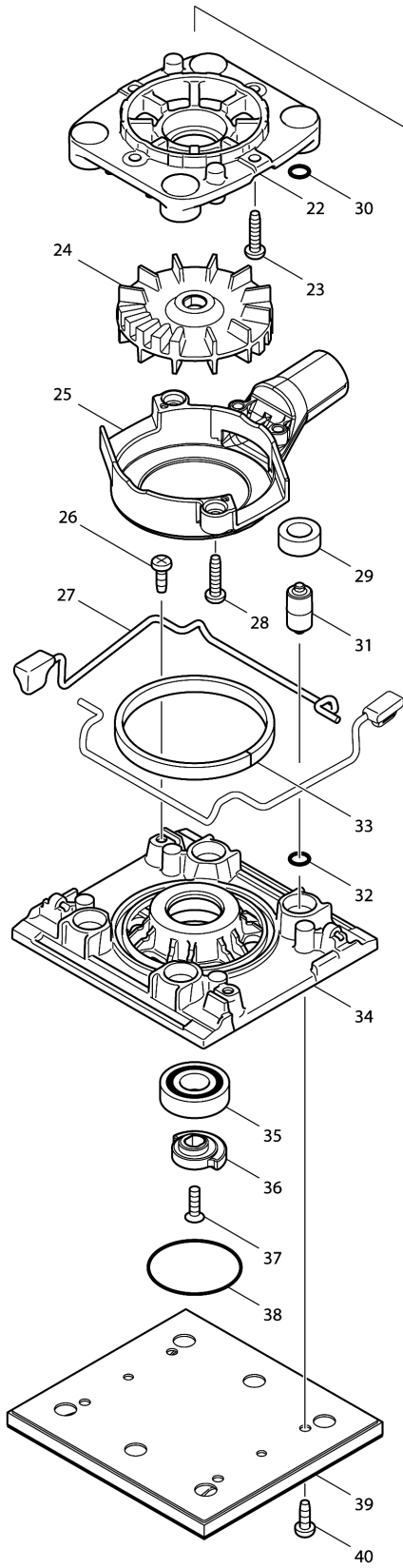


Model No.BO4557 FINISHING SANDER



Model No.BO4557 FINISHING SANDER

Item	Parts No.	Description	I/C	Qty	New/Old	Opt. 1	Opt. 2	Note
001	266326-2	TAPPING SCREW 4X18		3				
002	419916-2	TOP COVER		1				
003	266326-2	TAPPING SCREW 4X18		2				
004	645185-1	NOISE SUPPRESSOR		1				
005	687124-5	STRAIN RELIEF		1				
006	682569-2	CORD GUARD 8-85		1				
007	665383-1	POWER SUPPLY CORD 1.0-2-2.0		1				
008	191962-4	CARBON BRUSH CB-419		1				
009	643995-0	BRUSH HOLDER		2				
010	654532-5	TERMINAL BLOCK 1P		1				
011	651527-9	SWITCH		1				
013	450463-4	MOTOR HOUSING		1				
014	864750-9	BO4557 NAME PLATE		1				
015	635099-2	FIELD 240V		1				
016	266351-3	TAPPING SCREW 4X35		2				
017	210028-2	BALL BEARING 606ZZ		1				
018	681661-1	INSULATION WASHER		1	*			
018-1	681675-0	INSULATION WASHER	O	1				
019	517639-7	ARMATURE ASS'Y 240V		1	*			
D10		INC. 17,18,20,21			*			
019-1	510265-1	ARMATURE ASS'Y 240V	O	1				
D10		INC. 17,18,20,21						
020	267806-1	WASHER 9		1	*			
020-1	267130-2	FLAT WASHER 9	<	1				
021	211092-6	BALL BEARING 629DDW		1				
022	450464-2	BEARING BOX		1				
023	266326-2	TAPPING SCREW 4X18		4				
024	241671-6	FAN 63		1				
025	450069-8	FAN GUIDE		1				
026	266020-6	TAPPING SCREW 4X12		2				
027	162259-8	LEVER COMPLETE		2				
028	266326-2	TAPPING SCREW 4X18		2				
029	424023-8	SPONGE SLEEVE 9		4				
030	213983-7	O RING 4		4				
031	318151-8	FOOT		4				
032	213983-7	O RING 4		4				
033	424038-5	SPONGE 6X185X3		1	*			
033-1	424684-4	SPONGE 7X87X3	O	1	*			
033-2	424684-4	SPONGE 7X87X3	O	1				
034	450067-2	BASE		1	*			
034-1	450067-2	BASE	<	1				
035	211131-2	BALL BEARING 6001DDW		1				

Please order the parts with part number.

Print Date 26/3/2020

Model No.BO4557 FINISHING SANDER

Item	Parts No.	Description	I/C	Qty	New/Old	Opt. 1	Opt. 2	Note
036	313141-6	BALANCER		1				
037	912117-6	COUNTERSUNK HEAD SCREW M4X12		1				
038	213510-0	O RING 36		1				
039	158324-9	PAD COMPLETE		1				
040	266020-6	TAPPING SCREW 4X12		4				
A01	193932-9	PAPER DUST BAG HOLDER SET		1	*			
A01-1	135246-0	DUST BOX ASSEMBLY	S	1				
C10	232246-2	LEAF SPRING		2				
C20	424144-6	RUBBER SLEEVE		1				
C30	450769-0	DUST NOZZLE		1				
C40	450770-5	DUST BOX		1				
A02	193712-3	PAPER DUST BAG SET		1	*			
A02-1	194746-9	PAPER DUST BAG SET	S	1				
A03	450066-4	PUNCH PLATE		1				
A04	794296-0	ABRASIVE PAPER SET 114X100		1				
A05B	824806-0	PLASTIC CARRYING CASE		1				
C10	163455-1	LATCH		2				
C20	419360-3	HANDLE		1				
A06B	806746-4	BO4557K MODEL NO.LABEL		1				

Please order the parts with part number.

Print Date 26/3/2020