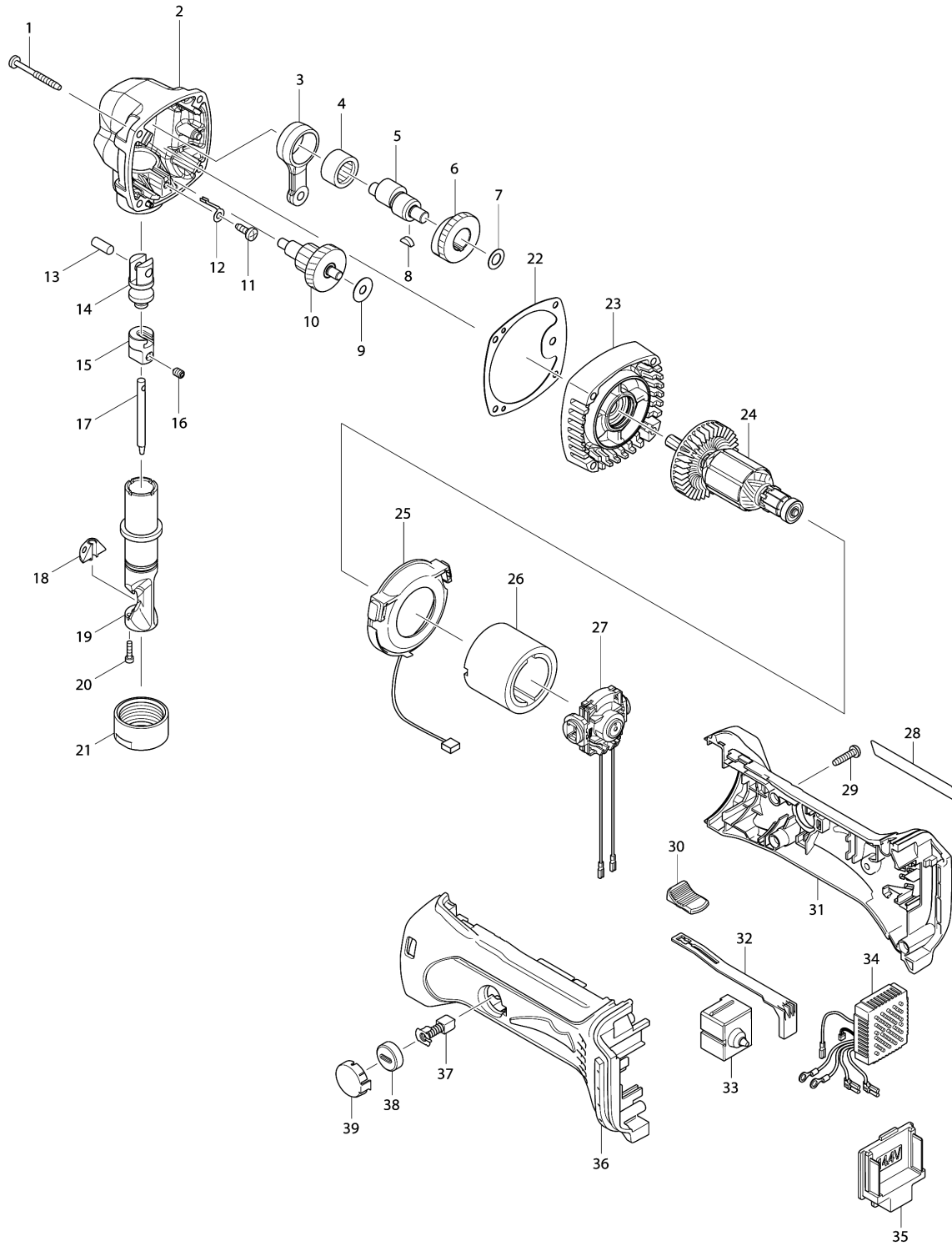


Model No.BJN160 1.6MM CORDLESS NIBBLER



Model No.BJN160 1.6MM CORDLESS NIBBLER

| Item | Parts No. | Description | I/C | Qty | New/Old | Opt. 1 | Opt. 2 | Note |
|-------|-----------|----------------------------------|-----|-----|---------|--------|--------|------|
| 001 | 266048-4 | TAPPING SCREW 4X40 | | 4 | | | | |
| 002 | 141878-3 | GEAR HOUSING COMPLETE | | 1 | | | | |
| C10 | 800P78-7 | INDICATION LABEL | | 1 | | | | |
| 003 | 331438-1 | ROD | | 1 | | | | |
| 004 | 212222-2 | NEEDLE BEARING 1612 | | 1 | | | | |
| 005 | 326249-7 | CRANK SHAFT | | 1 | | | | |
| 006 | 227314-4 | SPUR GEAR 31 | | 1 | | | | |
| 007 | 253215-0 | FLAT WASHER 8 | | 1 | | | | |
| 008 | 254002-0 | WOODRUFF KEY 3 | | 1 | | | | |
| 009 | 267133-6 | FLAT WASHER 6 | | 1 | | | | |
| 010 | 226158-9 | GEAR COMPLETE 16-36 | | 1 | | | | |
| 011 | 266026-4 | TAPPING SCREW BIND CT 4X12 | | 1 | | | | |
| 012 | 344116-4 | STOPPER | | 1 | | | | |
| 013 | 256111-1 | PIN 6 | | 1 | | | | |
| 014 | 322703-9 | RAM | | 1 | | | | |
| 015 | 322702-1 | PUNCH HOLDER | | 1 | | | | |
| 016 | 265880-3 | H.S.SET SCREW(CONE POINT)M5X8 | | 1 | | | | |
| 017 | A-83951 | PUNCH | | 1 | | | | |
| 018 | A-15051 | DIE | | 1 | | | | |
| 019 | 322701-3 | DIE HOLDER | | 1 | | | | |
| 020 | 266080-8 | HEX. SOCKET HEAD BOLT M3X12 | | 2 | | | | |
| 021 | 322748-7 | LOCK NUT | | 1 | | | | |
| 022 | 442191-5 | GASKET | | 1 | | | | |
| 023 | 141877-5 | GEAR HOUSING COVER COMPLETE | | 1 | | | | |
| C10 | 213961-7 | O RING 22 | | 1 | | | | |
| 024 | 619310-0 | ARMATURE | | 1 | | | | |
| 025 | 631714-6 | LED CIRCUIT | | 1 | | | | |
| 026 | 638376-1 | YOKE UNIT | | 1 | * | | | |
| 026-1 | 638627-2 | YOKE UNIT | O | 1 | | | | |
| 027 | 638979-1 | ENDBELL COMPLETE | | 1 | | | | |
| C10 | 688165-4 | LINE FILTER | | 1 | | | | |
| 028 | 814B64-8 | BJN160 NAME PLATE | | 1 | | | | |
| 029 | 265995-6 | TAPPING SCREW 4X18 | | 5 | | | | |
| 030 | 419566-3 | SWITCH KNOB | | 1 | | | | |
| 031 | 188735-4 | HOUSING SET | | 1 | * | | | |
| C10 | 263005-3 | RUBBER PIN 6 | | 2 | * | | | |
| D10 | | INC. 36 | | | * | | | |
| 031-1 | 187840-4 | HOUSING SET | X | 1 | | | | |
| C10 | 263005-3 | RUBBER PIN 6 | | 2 | | | | |
| D10 | | INC. 36 | | | | | | |

Please order the parts with part number.

Print Date 19/6/2019

Model No.BJN160 1.6MM CORDLESS NIBBLER

| Item | Parts No. | Description | I/C | Qty | New/Old | Opt. 1 | Opt. 2 | Note |
|--------|-----------|--------------------------------|-----|-----|---------|--------|--------|------|
| 032 | 419519-2 | SWITCH LEVER | | 1 | | | | |
| 033 | 650579-7 | SWITCH 1246.3223 | | 1 | | | | |
| 034 | 631712-0 | CONTROLLER | | 1 | * | | | |
| 034-1 | 620242-6 | CONTROLLER | X | 1 | | | | |
| 035 | 643811-6 | TERMINAL | | 1 | * | | | |
| 035-1 | 643867-9 | TERMINAL | X | 1 | | | | |
| 036 | 188735-4 | HOUSING SET | | 1 | * | | | |
| C10 | 263005-3 | RUBBER PIN 6 | | 2 | * | | | |
| D10 | | INC. 31 | | | * | | | |
| 036-1 | 187840-4 | HOUSING SET | X | 1 | | | | |
| C10 | 263005-3 | RUBBER PIN 6 | | 2 | | | | |
| D10 | | INC. 31 | | | | | | |
| 037 | 191971-3 | CARBON BRUSH CB-430 | | 1 | | | | |
| 038 | 643929-3 | BRUSH HOLDER CAP | | 2 | | | | |
| 039 | 419518-4 | HOLDER CAP COVER | | 2 | | | | |
| A01 | 781028-4 | WRENCH 32 | | 1 | | | | |
| A02 | 783208-8 | HEX. WRENCH 2.5 | | 1 | | | | |
| A03 | 821550-0 | CONNECTOR PLASTIC CASE (TYPE2) | | 1 | * | | | |
| C10 | 453974-8 | LATCH | | 4 | * | | | |
| A03-1 | 821551-8 | CONNECTOR PLASTIC CASE (TYPE3) | < | 1 | * | | | |
| C10 | 453974-8 | LATCH | | 4 | * | | | |
| A03-2 | 821551-8 | CONNECTOR PLASTIC CASE (TYPE3) | < | 1 | | | | |
| C10 | 453974-8 | LATCH | | 4 | | | | |
| A04A | 800T65-0 | BJN160RFJ PLASTIC CASE LABEL | | 2 | | | | |
| A04B | 800T63-4 | BJN160ZJ PLASTIC CASE LABEL | | 2 | | | | |
| A05 | 837678-4 | INNER TRAY | | 1 | | | | |
| A06A | ***DC18RC | DC18RC FAST CHARGER | | 1 | | | | |
| A06B | 800T62-6 | BJN160ZJ INDICATION LABEL | | 1 | | | | |
| A07A | 194065-3 | BATTERY BL1430 SET | | 2 | * | | | |
| A07-1A | 194065-3 | BATTERY BL1430 SET | O | 2 | * | | | |
| A07-2A | 197616-1 | BATTERY BL1430B SET | < | 2 | * | | | |
| A07-3A | 197616-1 | BATTERY BL1430B SET | O | 2 | | | | |
| A08A | 450128-8 | BATTERY COVER | | 1 | | | | |
| A09A | 800T64-2 | BJN160RFJ INDICATION LABEL | | 1 | | | | |

Please order the parts with part number.

Print Date 19/6/2019