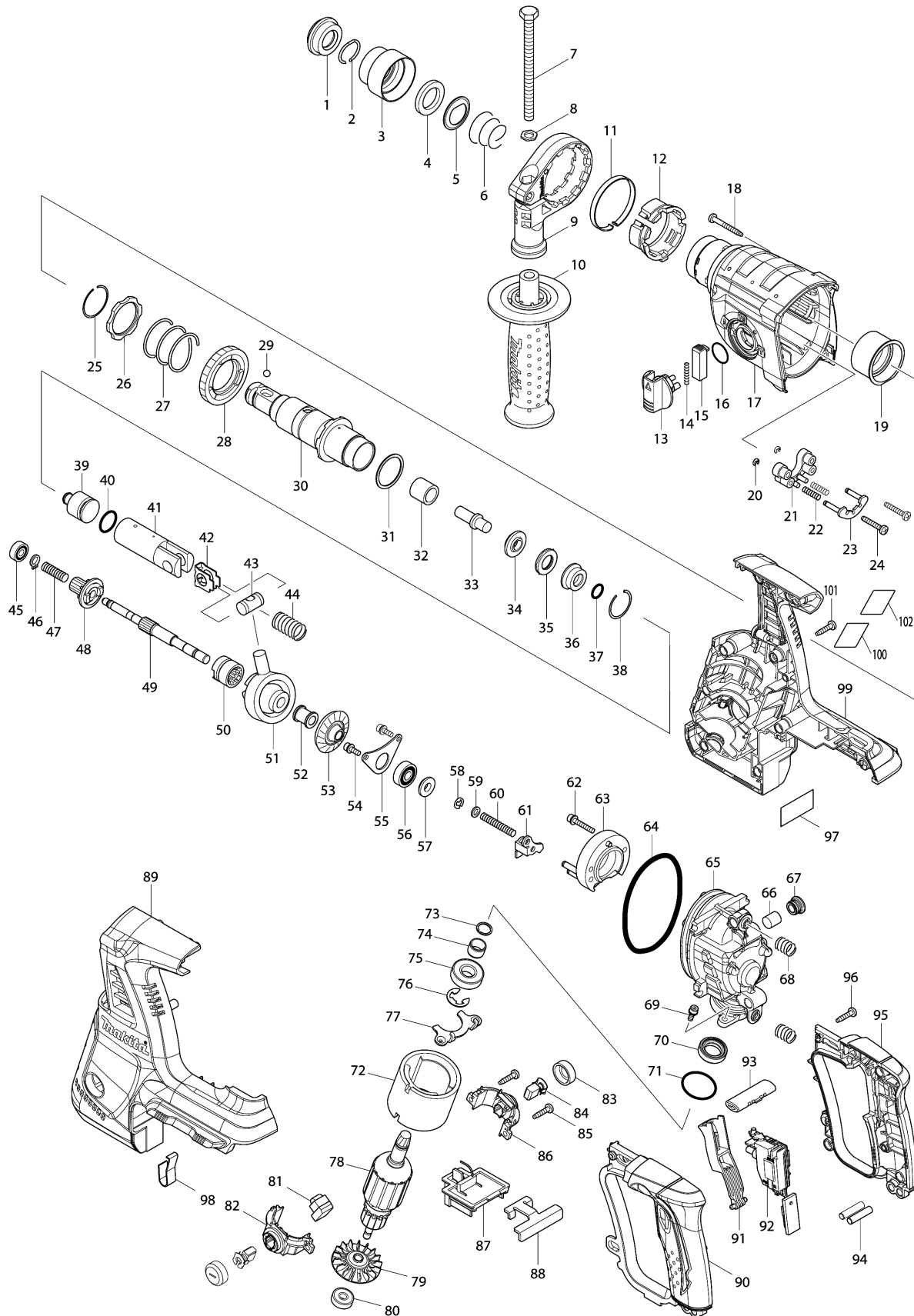


Model No.BHR261 CORDLESS COMBINATION HAMMER



Model No.BHR261 CORDLESS COMBINATION HAMMER

Item	Parts No.	Description	I/C	Qty	New/Old	Opt. 1	Opt. 2	Note
001	286263-4	CAP 35		1				
002	233940-9	RING SPRING 19		1				
003	417629-9	CHUCK COVER		1				
004	257241-1	RING 21		1				
005	345187-4	GUIDE WASHER		1				
006	233916-6	CONICAL COMP. SPRING 21-29		1				
007	921923-8	HEX. BOLT M8X120		1				
008	345280-4	HEX. WASHER		1				
009	417630-4	GRIP BASE		1				
010	158057-6	GRIP 36 COMPLETE		1				
013	450980-4	CHANGE LEVER		1				
014	233279-0	COMPRESSION SPRING 4		1				
015	450978-1	LOCK BUTTON		1				
016	213278-8	O RING 17		1				
017	158945-7	GEAR HOUSING COMPLETE		1				
C10	213965-9	OIL SEAL 25		1	*			
C11	213345-9	OIL SEAL 25	O	1				
018	266351-3	TAPPING SCREW 4X35		4				
019	153290-5	NEEDLE BEARING COMPLETE		1				
020	961017-7	STOP RING E-3		2				
021	417796-0	GUIDE BASE		1				
022	233344-5	COMPRESSION SPRING 4		2				
023	163430-7	LOCK PLATE COMPLETE		1				
024	266374-1	TAPPING SCREW 4X25		2				
025	233929-7	RING SPRING 29		1				
026	267791-8	WASHER 31		1	*			
026-1	267460-1	WASHER 31	<	1				
027	233401-9	COMPRESSION SPRING 32		1				
028	227109-5	SPUR GEAR 51		1				
029	216022-2	STEEL BALL 7.0		1				
030	158574-6	TOOL HOLDER COMPLETE		1				
031	267229-3	FLAT WASHER 28		1				
032	331769-8	SLEEVE 9		1				
033	324669-9	IMPACT BOLT		1				
034	324402-9	RING 10		1				
035	421955-0	CUSHION RING 13		1				
036	324216-6	O RING CASE		1				
037	213073-6	O RING 9		1				
038	233917-4	RING SPRING 28		1				
039	324214-0	STRIKER		1				
040	213227-5	O RING 16		1				
041	318132-2	PISTON CYLINDER		1				

Please order the parts with part number.

Print Date 19/6/2019

Model No.BHR261 CORDLESS COMBINATION HAMMER

Item	Parts No.	Description	I/C	Qty	New/Old	Opt. 1	Opt. 2	Note
042	346036-8	GUIDE PLATE		1				
043	324215-8	PISTON JOINT		1				
044	234098-7	COMPRESSION SPRING 14		1				
045	211012-0	BALL BEARING 606ZZ		1				
046	961003-8	RETAINING RING S-7		1				
047	233343-7	COMPRESSION SPRING 7		1				
048	227179-4	SPUR GEAR 10		1				
049	325622-8	CAM SHAFT		1	*			
049-1	325976-3	CAM SHAFT	<	1				
050	331768-0	CLUTCH CAM		1	*			
050-1	331992-5	CLUTCH CAM	<	1				
051	219014-0	SWASH BEARING 10		1				
052	325640-6	SLEEVE 9		1				
053	227549-7	SPIRAL BEVEL GEAR 26		1				
054	266273-7	HEX. SOCKET HEAD BOLT M4X12		2				
055	346038-4	BEARING RETAINER B		1				
056	211032-4	BALL BEARING 608ZZ		1				
057	324212-4	RING 8		1				
058	961011-9	STOP RING E-4		1				
059	941102-2	FLAT WASHER 5		1				
060	233342-9	COMPRESSION SPRING 6		1				
061	345220-2	CHANGE PLATE		1				
062	922148-7	HEX. SOCKET HEAD BOLT M4X25		2				
063	158944-9	INNER SUPPORT COMPLETE		1				
064	213728-3	O-RING 68		1				
065	318392-6	INNER HOUSING		1				
066	443143-9	FILTER		1				
067	424185-2	CAP		1				
068	234097-9	COMPRESSION SPRING 10		2				
069	266273-7	HEX. SOCKET HEAD BOLT M4X12		2				
070	213231-4	OIL SEAL 15		1				
071	213437-4	O RING 28		1				
072	632828-4	YOKE UNIT		1				
073	961082-6	RETAINING RING WR12		1				
074	331596-3	SLEEVE 12		1				
075	211131-2	BALL BEARING 6001DDW		1				
076	961016-9	STOP RING E-10		1				
077	346037-6	BEARING RETAINER A		1				
078	519235-7	ARMATURE ASS'Y 36V		1				
D10		INC. 73-76,79,80						
079	240037-7	FAN 44		1				

Please order the parts with part number.

Print Date 19/6/2019

Model No.BHR261 CORDLESS COMBINATION HAMMER

Item	Parts No.	Description	I/C	Qty	New/Old	Opt. 1	Opt. 2	Note
080	210022-4	BALL BEARING 626DDW		1				
081	631850-8	LIGHT CIRCUIT		1				
082	638660-4	BRUSH HOLDER		1	*			
082-1	539214-9	BRUSH HOLDER ASS'Y	<	1	*			
082-2	638945-8	BRUSH HOLDER COMPLETE	S	1				
C10	688165-4	LINE FILTER		1				
C20	688172-7	LINE FILTER		1				
083	643829-7	HOLDER CAP		2				
084	194928-3	CARBON BRUSH CB-442		1				
085	266326-2	TAPPING SCREW 4X18		2				
086	638661-2	BRUSH HOLDER		1	*			
086-1	539215-7	BRUSH HOLDER ASS'Y	<	1	*			
087	638657-3	TERMINAL UNIT		1				
087A	638978-3	TERMINAL UNIT		1				
088	346039-2	SUPPORT PLATE		1				
089	188665-9	HOUSING SET		1	*			
C10	263005-3	RUBBER PIN 6		4	*			
C20	263025-7	RUBBER PIN 4		4	*			
D10		INC. 99			*			
089-1	187231-9	HOUSING SET	O	1				
C10	263005-3	RUBBER PIN 6		4				
C20	263025-7	RUBBER PIN 4		4				
D10		INC. 99						
090	188639-0	HANDLE SET		1				
D10		INC. 95						
091	450981-2	SWITCH LEVER		1				
092	650619-1	SWITCH C3HZ-2A-PBLM		1				
093	450979-9	F/R CHANGE LEVER		1				
094	256261-2	PIN 6		2				
095	188639-0	HANDLE SET		1				
D10		INC. 90						
096	266326-2	TAPPING SCREW 4X18		4				
097	814978-9	BHR261 SERIAL NO. LABEL		1	*			
097-1	896701-4	BHR261 SERIAL NO. LABEL	<	1				
098	344903-1	VIBRATION ISOLATOR PLATE		1				
099	188665-9	HOUSING SET		1	*			
C10	263005-3	RUBBER PIN 6		4	*			
C20	263025-7	RUBBER PIN 4		4	*			
D10		INC. 89			*			
099-1	187231-9	HOUSING SET	O	1				
C10	263005-3	RUBBER PIN 6		4				
C20	263025-7	RUBBER PIN 4		4				

Please order the parts with part number.

Print Date 19/6/2019

Model No.BHR261 CORDLESS COMBINATION HAMMER

Item	Parts No.	Description	I/C	Qty	New/Old	Opt. 1	Opt. 2	Note
D10		INC. 89						
100	866450-7	BHR261 NAME PLATE		1				
101	266326-2	TAPPING SCREW 4X18		9				
102	819348-7	CLEAR LABEL		1	*			
102-1	893038-0	CLEAR LABEL	<	1				
103	122881-3	TOOL HOLDER ASS'Y		1	*			
D10		INC. 25-28,30,32-38			*			
103-1	123100-0	TOOL HOLDER ASS'Y	<	1				
D10		INC. 25-28,30,32-38						
A01	194659-4	GREASE VESSEL SET		1	*			
A01-1	194683-7	GREASE VESSEL SET	O	1				
A02	324219-0	DEPTH GAUGE		1				
A03	443122-7	CLOTH		1				
A04	824874-3	PLASTIC CARRYING CASE		1	*			
C10	162271-8	LATCH		2	*			
C20	325636-7	SHAFT		1	*			
C30	450990-1	HANDLE		1	*			
A04-1	824874-3	PLASTIC CARRYING CASE	O	1				
C10	162271-8	LATCH		2				
C20	325636-7	SHAFT		1				
C30	450990-1	HANDLE		1				
A05	808661-8	BHR261RDE PLASTIC CASE LABEL		2				
A06	***DC36RA	DC36RA FAST CHARGER		1				
A07	194873-2	BATTERY BL3626 SET		2	*			
A07-1	194873-2	BATTERY BL3626 SET	O	2	*			
A07-2	194873-2	BATTERY BL3626 SET	O	2				
A08	451153-2	BATTERY COVER		1				
E01	893072-0	CLEAR LABEL		1				

Please order the parts with part number.

Print Date 19/6/2019