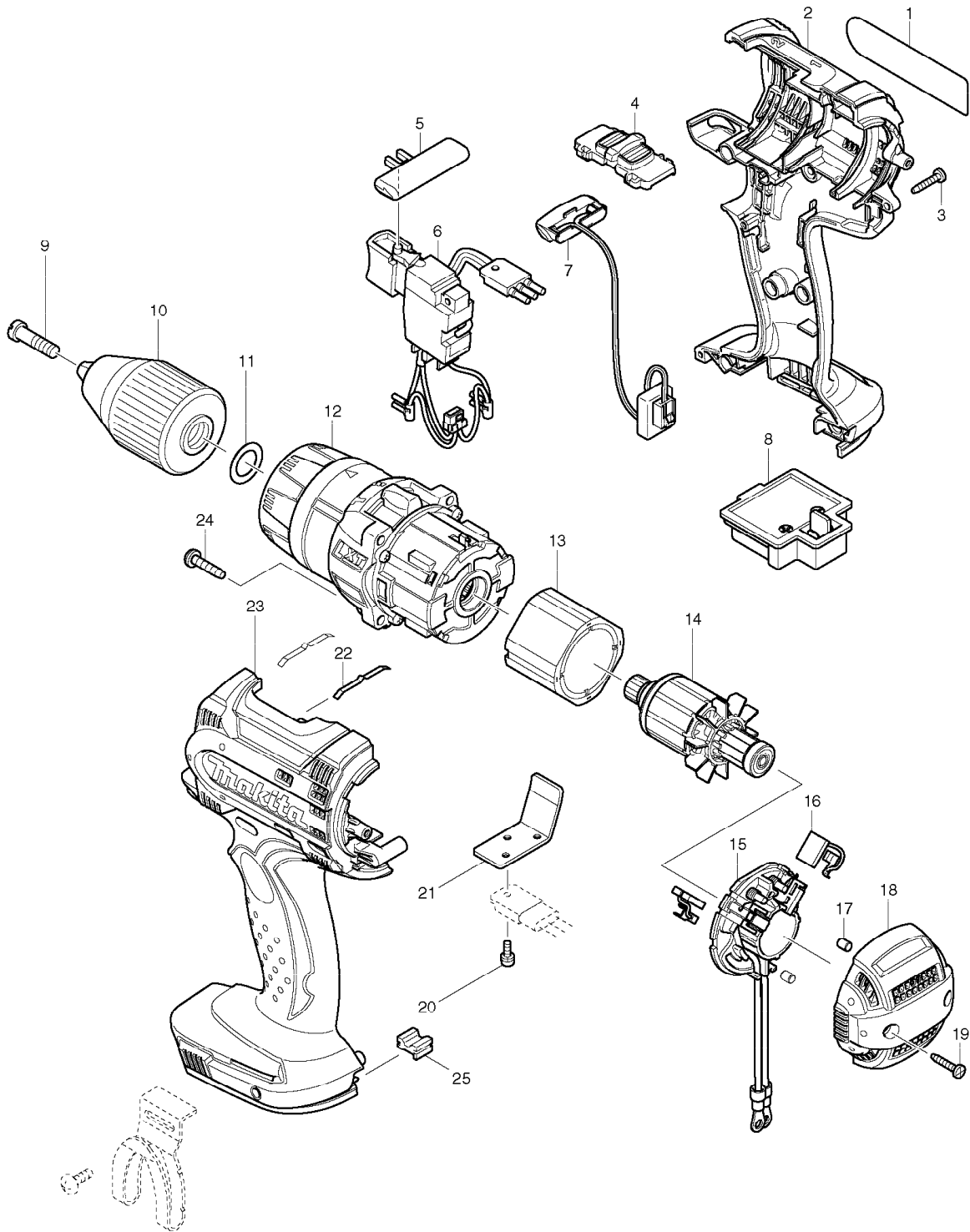


# SERVICE DRAWING

MODEL NO. BHP454



# SPARE PARTS LIST

## MODEL NO. BHP454

ITEM	PART NO.	DESCRIPTION	QTY	NOTE
001	865306-1	BHP454 NAME PLATE	1	
002	188613-8	HOUSING SET	1	
003	266130-9	TAPPING SCREW BIND PT 3X16	8	
004	125488-4	SPEED CHANGE LEVER ASS'Y	1	
005	419250-0	F/R CHANGE LEVER	1	
006	650573-9	SWITCH TG553FSB-4	1	
007	631692-0	LIGHT CIRCUIT	1	
008	643812-4	TERMINAL	1	
009	251468-5	- FLAT HEAD SCREW M6X22	1	
010	766006-5	KEYLESS DRILL CHUCK 13	1	
011	253798-0	FLAT WASHER 13	1	
012	125487-6	GEAR ASS'Y	1	
013	638613-3	YOKE UNIT	1	
014	619230-8	ARMATURE	1	
015	638614-1	BRUSH HOLDER COMPLETE	1	
016	194427-5	CARBON BRUSH CB-440	1	
017	263032-0	RUBBER PIN 4	2	
018	450644-0	REAR COVER	1	
019	266130-9	TAPPING SCREW BIND PT 3X16	2	
020	911006-2	PAN HEAD SCREW M3X8	1	
021	689150-0	HEAT SINK	1	
022	232220-0	LEAF SPRING	2	
023	188613-8	HOUSING SET	1	
024	266045-0	TAPPING SCREW 4X20	4	
025	424026-2	CUSHION	1	
A01	122576-8	STOPPER POLE ASS'Y	1	
A02	122822-9	GRIP ASS'Y	1	
A03	251314-2	+ SCREW M4X12	2	
A04	324705-1	HOOK	1	
A05	419276-2	BIT HOLDER	1	
A06	784637-8	+ BIT 2-45	2	
A07	***DC18RA	DC18RA FAST CHARGER	1	
A08	194204-5	BATTERY BL1830 SET	2	
A09	450128-8	BATTERY COVER	1	
A10	824754-3	PLASTIC CASE	1	
A11	807429-9	BHP454RFE PLASTIC CASE LABEL	1	