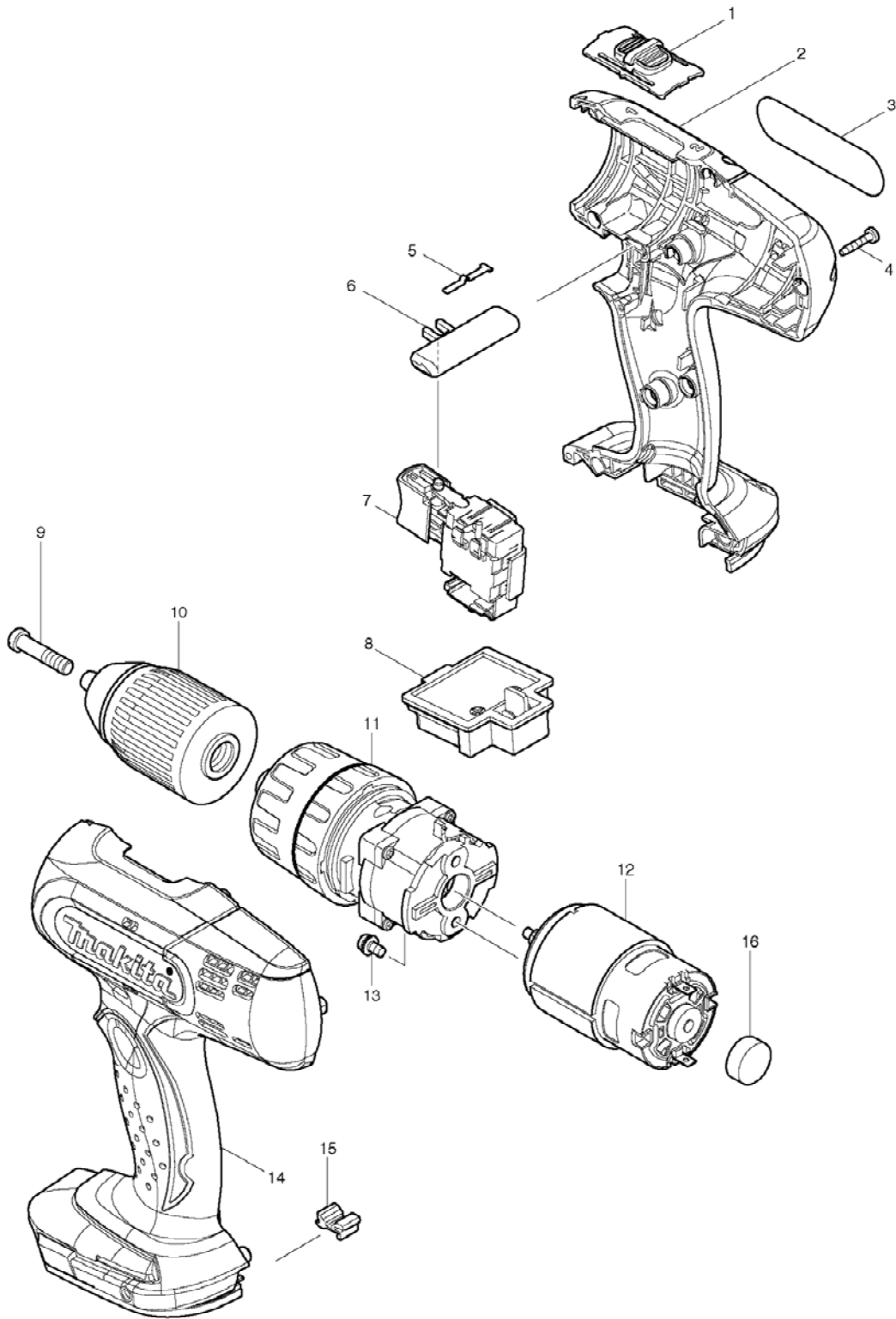


SERVICE DRAWING

MODEL NO. BHP453



SPARE PARTS LIST

MODEL NO. BHP453

ITEM	PART NO.	DESCRIPTION	QTY	NOTE
001	125310-5	SPEED CHANGE LEVER ASS'Y	1	
002	188615-4	HOUSING SET	1	
003	865459-6	BHP453 NAME PLATE	1	
004	266130-9	TAPPING SCREW BIND PT 3X16	9	
005	232182-2	LEAF SPRING	1	
006	419250-0	F/R CHANGE LEVER	1	
007	650604-4	SWITCH TG563FSB-4	1	
008	643812-4	TERMINAL	1	
009	251468-5	- FLAT HEAD SCREW M6X22	1	
010	766004-9	KEYLESS DRILL CHUCK 13	1	
011	125485-0	GEAR ASS'Y	1	
012	629834-8	DC MOTOR	1	
013	911108-4	PAN HEAD SCREW M4X8	2	
014	188615-4	HOUSING SET	1	
015	424026-2	CUSHION	1	
016	421940-3	CAP	1	
A01	784636-0	+ - BIT 2-65	1	
A02	*****	*****	***	*****
A03	*****	*****	***	*****
A04	450128-8	BATTERY COVER	1	
A05	*****	*****	***	*****