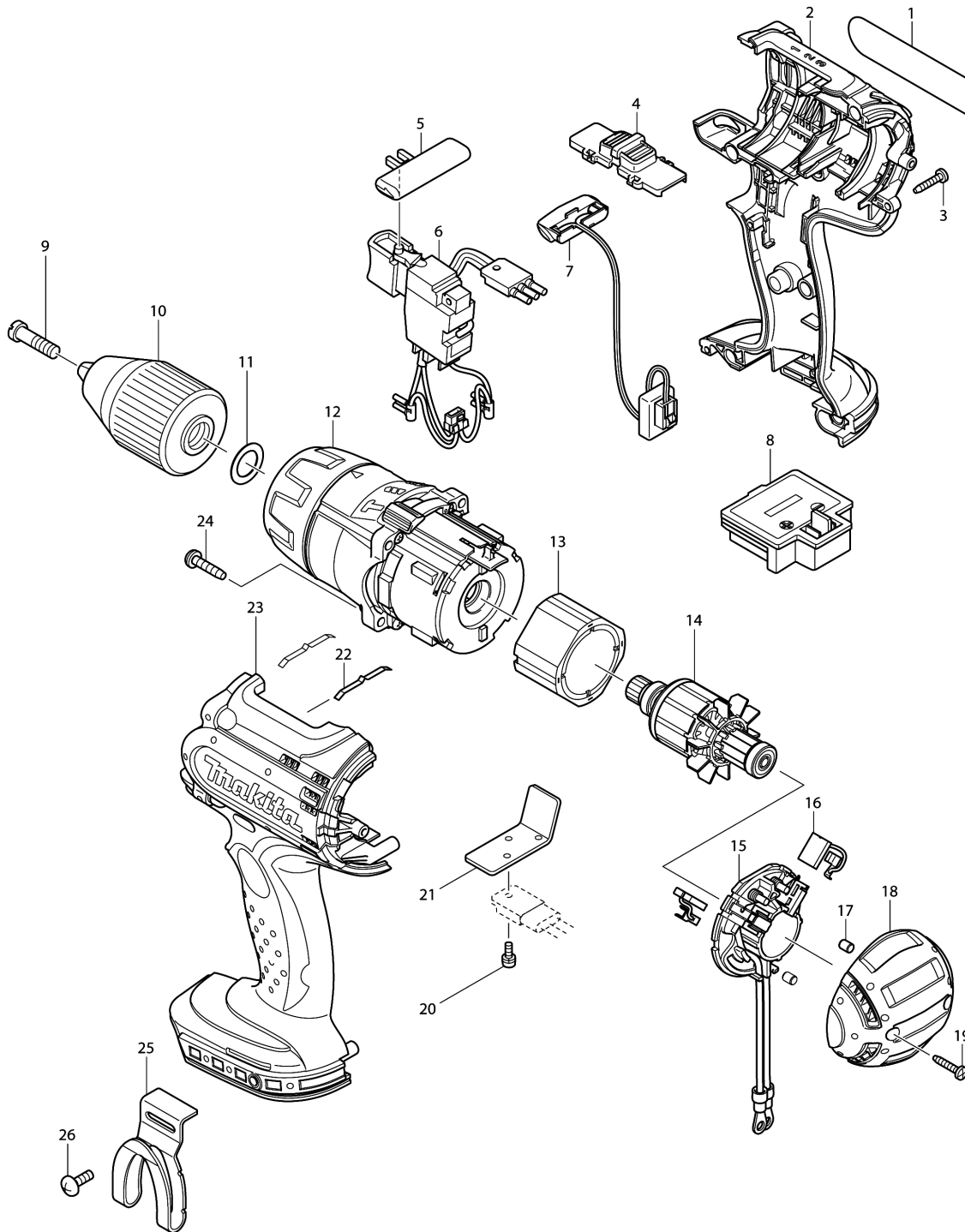


Model No.BHP451 CORDLESS PERCUSSION-DRIVER DRILL



Model No.BHP451 CORDLESS PERCUSSN-DRIVER DRILL

Item	Parts No.	Description	I/C	Qty	New/Old	Opt. 1	Opt. 2	Note
001A	861822-1	NAME PLATE BHP451		1	*			
001B	861822-1	NAME PLATE BHP451		1	*			
001-1A	862348-6	NAME PLATE BHP451	<	1				
001-1B	862348-6	NAME PLATE BHP451	<	1				
001-1D	862348-6	NAME PLATE BHP451		1				
001-1E	862348-6	NAME PLATE BHP451		1				
002A	188031-0	HOUSING SET		1	*			
D10		INC. 23			*			
002B	188031-0	HOUSING SET		1	*			
D10		INC. 23			*			
002-1A	187142-8	HOUSING SET	X	1	*			
D10		INC. 23			*			
002-1B	187142-8	HOUSING SET	X	1	*			
D10		INC. 23			*			
002-1D	187142-8	HOUSING SET		1	*			
D10		INC. 23			*			
002-1E	187142-8	HOUSING SET		1	*			
D10		INC. 23			*			
002-2	183G51-1	HOUSING SET	<	1				
C10	263005-3	RUBBER PIN 6		2				
D10		INC. 23						
003	266130-9	TAPPING SCREW BIND PT 3X16		8				
004A	125316-3	SPEED CHANGE LEVER ASS'Y		1	*			
C10	233438-6	COMPRESSION SPRING 4		2	*			
004B	125316-3	SPEED CHANGE LEVER ASS'Y		1	*			
C10	233438-6	COMPRESSION SPRING 4		2	*			
004-1A	125435-5	SPEED CHANGE LEVER ASS'Y	<	1				
C10	233438-6	COMPRESSION SPRING 4		2				
004-1B	125435-5	SPEED CHANGE LEVER ASS'Y	<	1				
C10	233438-6	COMPRESSION SPRING 4		2				
004-1D	125435-5	SPEED CHANGE LEVER ASS'Y		1				
C10	233438-6	COMPRESSION SPRING 4		2				
004-1E	125435-5	SPEED CHANGE LEVER ASS'Y		1				
C10	233438-6	COMPRESSION SPRING 4		2				
005	419250-0	F/R CHANGE LEVER		1				
006A	650573-9	SWITCH TG553FSB-4		1	*			
006B	650573-9	SWITCH TG553FSB-4		1	*			
006-1A	650653-1	SWITCH TG553FSB-4B	X	1				
006-1B	650653-1	SWITCH TG553FSB-4B	X	1				
006-1D	650653-1	SWITCH TG553FSB-4B		1				
006-1E	650653-1	SWITCH TG553FSB-4B		1				
007	631692-0	LIGHT CIRCUIT		1				

Please order the parts with part number.

Print Date 19/6/2019

Model No.BHP451 CORDLESS PERCUSSN-DRIVER DRILL

Item	Parts No.	Description	I/C	Qty	New/Old	Opt. 1	Opt. 2	Note
008A	643812-4	TERMINAL		1	*			
008B	643812-4	TERMINAL		1	*			
008-1A	643838-6	TERMINAL	O	1	*			
008-1B	643838-6	TERMINAL	O	1	*			
008-2A	643859-8	TERMINAL	X	1	*			
008-2B	643859-8	TERMINAL	X	1	*			
008-2D	643859-8	TERMINAL		1	*			
008-2E	643859-8	TERMINAL		1	*			
008-3	644808-8	TERMINAL	O	1				
009	251468-5	- FLAT HEAD SCREW M6X22		1				
010	763196-5	KEYLESS DRILL CHUCK 13		1				
011	253798-0	FLAT WASHER 13		1				
012A	125317-1	GEAR ASS'Y		1	*			
C10	418763-8	SPEED CHANGE RING		1	*			
C20	268088-8	PIN 1.2		2	*			
012B	125317-1	GEAR ASS'Y		1	*			
C10	418763-8	SPEED CHANGE RING		1	*			
C20	268088-8	PIN 1.2		2	*			
012-1A	125317-1	GEAR ASS'Y	<	1	*			
C10	419558-2	SPEED CHANGE RING		1	*			
C20	268088-8	PIN 1.2		2	*			
C30	419557-4	CHANGE LEVER		1	*			
012-1B	125317-1	GEAR ASS'Y	<	1	*			
C10	419558-2	SPEED CHANGE RING		1	*			
C20	268088-8	PIN 1.2		2	*			
C30	419557-4	CHANGE LEVER		1	*			
012-2A	125430-5	GEAR ASS'Y	S	1				
C10	419558-2	SPEED CHANGE RING		1				
C20	268199-9	PIN 1.4		2				
C30	450385-8	CHANGE LEVER		1				
012-2B	125430-5	GEAR ASS'Y	S	1				
C10	419558-2	SPEED CHANGE RING		1				
C20	268199-9	PIN 1.4		2				
C30	450385-8	CHANGE LEVER		1				
012-2D	125430-5	GEAR ASS'Y		1				
C10	419558-2	SPEED CHANGE RING		1				
C20	268199-9	PIN 1.4		2				
C30	450385-8	CHANGE LEVER		1				
012-2E	125430-5	GEAR ASS'Y		1				
C10	419558-2	SPEED CHANGE RING		1				
C20	268199-9	PIN 1.4		2				
C30	450385-8	CHANGE LEVER		1				

Please order the parts with part number.

Print Date 19/6/2019

Model No.BHP451 CORDLESS PERCUSSN-DRIVER DRILL

Item	Parts No.	Description	I/C	Qty	New/Old	Opt. 1	Opt. 2	Note
013	638425-4	YOKE UNIT		1	*			
013-1	632J71-5	YOKE UNIT	<	1				
014	619165-3	ARMATURE		1				
015A	638431-9	BRUSH HOLDER COMPLETE		1	*			
C10	231696-8	TORSION SPRING R		1	*			
C20	231697-6	TORSION SPRING L		1	*			
015B	638431-9	BRUSH HOLDER COMPLETE		1	*			
C10	231696-8	TORSION SPRING R		1	*			
C20	231697-6	TORSION SPRING L		1	*			
015-1A	638849-4	BRUSH HOLDER COMPLETE	X	1				
C10	231696-8	TORSION SPRING R		1				
C20	231697-6	TORSION SPRING L		1				
015-1B	638849-4	BRUSH HOLDER COMPLETE	X	1				
C10	231696-8	TORSION SPRING R		1				
C20	231697-6	TORSION SPRING L		1				
015-1D	638849-4	BRUSH HOLDER COMPLETE		1				
C10	231696-8	TORSION SPRING R		1				
C20	231697-6	TORSION SPRING L		1				
015-1E	638849-4	BRUSH HOLDER COMPLETE		1				
C10	231696-8	TORSION SPRING R		1				
C20	231697-6	TORSION SPRING L		1				
016A	194159-4	CARBON BRUSH CB-436		1	*			
016B	194159-4	CARBON BRUSH CB-436		1	*			
016-1A	194427-5	CARBON BRUSH CB-440	<	1	*			
016-1B	194427-5	CARBON BRUSH CB-440	<	1	*			
016-2A	194427-5	CARBON BRUSH CB-440	X	1				
016-2B	194427-5	CARBON BRUSH CB-440	X	1				
016-2D	194427-5	CARBON BRUSH CB-440		1				
016-2E	194427-5	CARBON BRUSH CB-440		1				
017	263032-0	RUBBER PIN 4		2				
018A	419249-5	REAR COVER		1	*			
018B	419249-5	REAR COVER		1	*			
018-1A	419642-3	REAR COVER	<	1				
018-1B	419642-3	REAR COVER	<	1				
018-1D	419642-3	REAR COVER		1				
018-1E	419642-3	REAR COVER		1				
019	266130-9	TAPPING SCREW BIND PT 3X16		2				
020	911006-2	PAN HEAD SCREW M3X8		1				
021	689145-3	HEATSINK		1				
022	232220-0	LEAF SPRING		2				
023A	188031-0	HOUSING SET		1	*			
D10		INC. 2			*			

Please order the parts with part number.

Print Date 19/6/2019

Model No.BHP451 CORDLESS PERCUSSN-DRIVER DRILL

Item	Parts No.	Description	I/C	Qty	New/Old	Opt. 1	Opt. 2	Note
023B	188031-0	HOUSING SET		1	*			
D10		INC. 2			*			
023-1A	187142-8	HOUSING SET	X	1	*			
D10		INC. 2			*			
023-1B	187142-8	HOUSING SET	X	1	*			
D10		INC. 2			*			
023-1D	187142-8	HOUSING SET		1	*			
D10		INC. 2			*			
023-1E	187142-8	HOUSING SET		1	*			
D10		INC. 2			*			
023-2	183G51-1	HOUSING SET	<	1				
C10	263005-3	RUBBER PIN 6		2				
D10		INC. 2						
024	266045-0	TAPPING SCREW 4X20		4				
025A	324553-8	HOOK		1	*			
025B	324553-8	HOOK		1	*			
025-1A	324705-1	HOOK	O	1	*			
025-1B	324705-1	HOOK	O	1	*			
025-1D	324705-1	HOOK		1	*			
025-1E	324705-1	HOOK		1	*			
025-2	346317-0	HOOK	O	1				
026	251314-2	+ SCREW M4X12		1				
A01	122576-8	STOPPER POLE ASS'Y		1				
C10	286226-0	CAP 20		1				
C20	322223-3	DEPTH ROD		1				
A02A	122750-8	GRIP ASS'Y		1	*			
C10	154835-2	GRIP36 COMPLETE		1	*			
C20	251812-6	SCREW M5X10		1	*			
C30	266349-0	SQUARE BOLT M8X50		1	*			
C40	345463-6	GRIP SPRING 60		1	*			
C50	418768-8	GRIP BASE		1	*			
C60	931202-6	HEX. NUT M5		1	*			
A02B	122750-8	GRIP ASS'Y		1	*			
C10	154835-2	GRIP36 COMPLETE		1	*			
C20	251812-6	SCREW M5X10		1	*			
C30	266349-0	SQUARE BOLT M8X50		1	*			
C40	345463-6	GRIP SPRING 60		1	*			
C50	418768-8	GRIP BASE		1	*			
C60	931202-6	HEX. NUT M5		1	*			
A02-1A	122750-8	GRIP ASS'Y	<	1	*			
C10	154835-2	GRIP36 COMPLETE		1	*			
C20	251812-6	SCREW M5X10		1	*			

Please order the parts with part number.

Print Date 19/6/2019

Model No.BHP451 CORDLESS PERCUSSN-DRIVER DRILL

Item	Parts No.	Description	I/C	Qty	New/Old	Opt. 1	Opt. 2	Note
C30	266349-0	SQUARE BOLT M8X50		1	*			
C40	345463-6	GRIP SPRING 60		1	*			
C50	418768-8	GRIP BASE		1	*			
C60	931202-6	HEX. NUT M5		1	*			
A02-1B	122750-8	GRIP ASS'Y	<	1	*			
C10	154835-2	GRIP36 COMPLETE		1	*			
C20	251812-6	SCREW M5X10		1	*			
C30	266349-0	SQUARE BOLT M8X50		1	*			
C40	345463-6	GRIP SPRING 60		1	*			
C50	418768-8	GRIP BASE		1	*			
C60	931202-6	HEX. NUT M5		1	*			
A02-2A	123168-6	GRIP ASSEMBLY	<	1	*			
C10	154835-2	GRIP36 COMPLETE		1	*			
C20	251812-6	SCREW M5X10		1	*			
C30	266724-0	SQUARE BOLT M8X75		1	*			
C40	345463-6	GRIP SPRING 60		1	*			
C50	453037-0	GRIP BASE 60		1	*			
C60	931202-6	HEX. NUT M5		1	*			
A02-2B	123168-6	GRIP ASSEMBLY	<	1	*			
C10	154835-2	GRIP36 COMPLETE		1	*			
C20	251812-6	SCREW M5X10		1	*			
C30	266724-0	SQUARE BOLT M8X75		1	*			
C40	345463-6	GRIP SPRING 60		1	*			
C50	453037-0	GRIP BASE 60		1	*			
C60	931202-6	HEX. NUT M5		1	*			
A02-2D	123168-6	GRIP ASSEMBLY		1	*			
C10	154835-2	GRIP36 COMPLETE		1	*			
C20	251812-6	SCREW M5X10		1	*			
C30	266724-0	SQUARE BOLT M8X75		1	*			
C40	345463-6	GRIP SPRING 60		1	*			
C50	453037-0	GRIP BASE 60		1	*			
C60	931202-6	HEX. NUT M5		1	*			
A02-2E	123168-6	GRIP ASSEMBLY		1	*			
C10	154835-2	GRIP36 COMPLETE		1	*			
C20	251812-6	SCREW M5X10		1	*			
C30	266724-0	SQUARE BOLT M8X75		1	*			
C40	345463-6	GRIP SPRING 60		1	*			
C50	453037-0	GRIP BASE 60		1	*			
C60	931202-6	HEX. NUT M5		1	*			
A02-3	123253-5	GRIP ASSEMBLY	<	1	*			
C10	154935-8	GRIP 36 COMPLETE		1	*			
C20	251812-6	SCREW M5X10		1	*			

Please order the parts with part number.

Print Date 19/6/2019

Model No.BHP451 CORDLESS PERCUSSN-DRIVER DRILL

Item	Parts No.	Description	I/C	Qty	New/Old	Opt. 1	Opt. 2	Note
C30	266750-9	SQUARE BOLT M8X100		1				
C40	345463-6	GRIP SPRING 60		1				
C50	453584-1	GRIP BASE 60		1				
C60	931202-6	HEX. NUT M5		1				
A03	251314-2	+ SCREW M4X12		1				
A04A	419276-2	BIT HOLDER		1	*			
A04B	419276-2	BIT HOLDER		1	*			
A04-1A	452947-8	BIT HOLDER	<	1				
A04-1B	452947-8	BIT HOLDER	<	1				
A04-1D	452947-8	BIT HOLDER		1				
A04-1E	452947-8	BIT HOLDER		1				
A05A	***DC18SC	DC18SC CHARGER		1				
A05B	***DC18RA	DC18RA FAST CHARGER		1	*			
A05-1B	***DC18RC	DC18RC FAST CHARGER	<	1				
A05-1D	***DC18RC	DC18RC FAST CHARGER		1				
A06A	194204-5	BATTERY BL1830 SET		2	*			
A06B	194204-5	BATTERY BL1830 SET		2	*			
A06-1A	194204-5	BATTERY BL1830 SET	O	2	*			
A06-1B	194204-5	BATTERY BL1830 SET	O	2	*			
A06-2A	194204-5	BATTERY BL1830 SET	O	2	*			
A06-2B	194204-5	BATTERY BL1830 SET	O	2	*			
A06-3A	194204-5	BATTERY BL1830 SET	O	2	*			
A06-3B	194204-5	BATTERY BL1830 SET	O	2	*			
A06-4A	194204-5	BATTERY BL1830 SET	O	2	*			
A06-4B	194204-5	BATTERY BL1830 SET	O	2	*			
A06-5A	194204-5	BATTERY BL1830 SET	O	2	*			
A06-5B	194204-5	BATTERY BL1830 SET	O	2	*			
A06-5D	194204-5	BATTERY BL1830 SET		2	*			
A06-6A	194204-5	BATTERY BL1830 SET	O	2	*			
A06-6B	194204-5	BATTERY BL1830 SET	O	2	*			
A06-6D	194204-5	BATTERY BL1830 SET	O	2	*			
A06-7A	197600-6	BATTERY BL1830B SET	<	2	*			
A06-7B	197600-6	BATTERY BL1830B SET	<	2	*			
A06-7D	197600-6	BATTERY BL1830B SET	<	2	*			
A06-8A	197600-6	BATTERY BL1830B SET	O	2				
A06-8B	197600-6	BATTERY BL1830B SET	O	2				
A06-8D	197600-6	BATTERY BL1830B SET	O	2				
A07	784637-8	+/- BIT 2-45		2				
A08A	824754-3	PLASTIC CASE		1	*			
C10	419216-0	HANDLE		1	*			
C20	417724-5	LATCH		2	*			
C30	419268-1	PLASTIC CASE LID		1	*			

Please order the parts with part number.

Print Date 19/6/2019

Model No.BHP451 CORDLESS PERCUSSN-DRIVER DRILL

Item	Parts No.	Description	I/C	Qty	New/Old	Opt. 1	Opt. 2	Note
C40	419269-9	PLATE		5	*			
C50	324667-3	SHAFT		1	*			
A08B	824754-3	PLASTIC CASE		1	*			
C10	419216-0	HANDLE		1	*			
C20	417724-5	LATCH		2	*			
C30	419268-1	PLASTIC CASE LID		1	*			
C40	419269-9	PLATE		5	*			
C50	324667-3	SHAFT		1	*			
A08D	821550-0	CONNECTOR PLASTIC CASE (TYPE2)		1	*			
C10	453974-8	LATCH		4	*			
A08E	821550-0	CONNECTOR PLASTIC CASE (TYPE2)		1	*			
C10	453974-8	LATCH		4	*			
A08-1A	824754-3	PLASTIC CASE	O	1	*			
C10	419216-0	HANDLE		1	*			
C20	417724-5	LATCH		2	*			
C30	419268-1	PLASTIC CASE LID		1	*			
C40	419269-9	PLATE		5	*			
C50	324667-3	SHAFT		1	*			
A08-1B	824754-3	PLASTIC CASE	O	1	*			
C10	419216-0	HANDLE		1	*			
C20	417724-5	LATCH		2	*			
C30	419268-1	PLASTIC CASE LID		1	*			
C40	419269-9	PLATE		5	*			
C50	324667-3	SHAFT		1	*			
A08-1D	821550-0	CONNECTOR PLASTIC CASE (TYPE2)	<	1				
C10	453974-8	LATCH		4				
A08-1E	821550-0	CONNECTOR PLASTIC CASE (TYPE2)	<	1				
C10	453974-8	LATCH		4				
A08-2A	158185-7	PLASTIC CARRYING CASE COMPLETE	<	1	*			
C10	419216-0	HANDLE		1	*			
C20	417724-5	LATCH		2	*			
C30	419268-1	PLASTIC CASE LID		1	*			
C40	419269-9	PLATE		5	*			
C50	324667-3	SHAFT		1	*			
A08-2B	158185-7	PLASTIC CARRYING CASE COMPLETE	<	1	*			
C10	419216-0	HANDLE		1	*			
C20	417724-5	LATCH		2	*			
C30	419268-1	PLASTIC CASE LID		1	*			
C40	419269-9	PLATE		5	*			
C50	324667-3	SHAFT		1	*			

Please order the parts with part number.

Print Date 19/6/2019

Model No.BHP451 CORDLESS PERCUSSN-DRIVER DRILL

Item	Parts No.	Description	I/C	Qty	New/Old	Opt. 1	Opt. 2	Note
A08-3A	824754-3	PLASTIC CASE	<	1				
C10	419216-0	HANDLE		1				
C20	417724-5	LATCH		2				
C30	419268-1	PLASTIC CASE LID		1				
C40	419269-9	PLATE		5				
C50	324667-3	SHAFT		1				
A08-3B	824754-3	PLASTIC CASE	<	1	*			
C10	419216-0	HANDLE		1	*			
C20	417724-5	LATCH		2	*			
C30	419268-1	PLASTIC CASE LID		1	*			
C40	419269-9	PLATE		5	*			
C50	324667-3	SHAFT		1	*			
A08-4B	140354-4	PLASTIC CASE COMPLETE	<	1				
C10	419216-0	HANDLE		1				
C20	417724-5	LATCH		2				
C30	419268-1	PLASTIC CASE LID		1				
C40	419269-9	PLATE		5				
C50	324667-3	SHAFT		1				
A09A	450128-8	BATTERY COVER		1				
A09B	450128-8	BATTERY COVER		1				
A09D	450128-8	BATTERY COVER		1				
A10B	804752-3	BHP451RFE PLASTIC CASE LABEL		1	*			
A10D	837679-2	INNER TRAY		1	*			
A10E	837679-2	INNER TRAY		1	*			
A10-1B	806018-7	BHP451RFE PLASTIC CASE LABEL	O	1				
A10-1D	837916-4	INNER TRAY	<	1				
A10-1E	837916-4	INNER TRAY	<	1				
A11D	800P49-4	BHP451RFJ INDICATION LABEL		1				
A11E	800P51-7	BHP451ZJ INDICATION LABEL		1				
A12D	800P50-9	BHP451RFJ PLASTIC CASE LABEL		2				
A12E	800P52-5	BHP451ZJ PLASTIC CASE LABEL		2				

Please order the parts with part number.

Print Date 19/6/2019