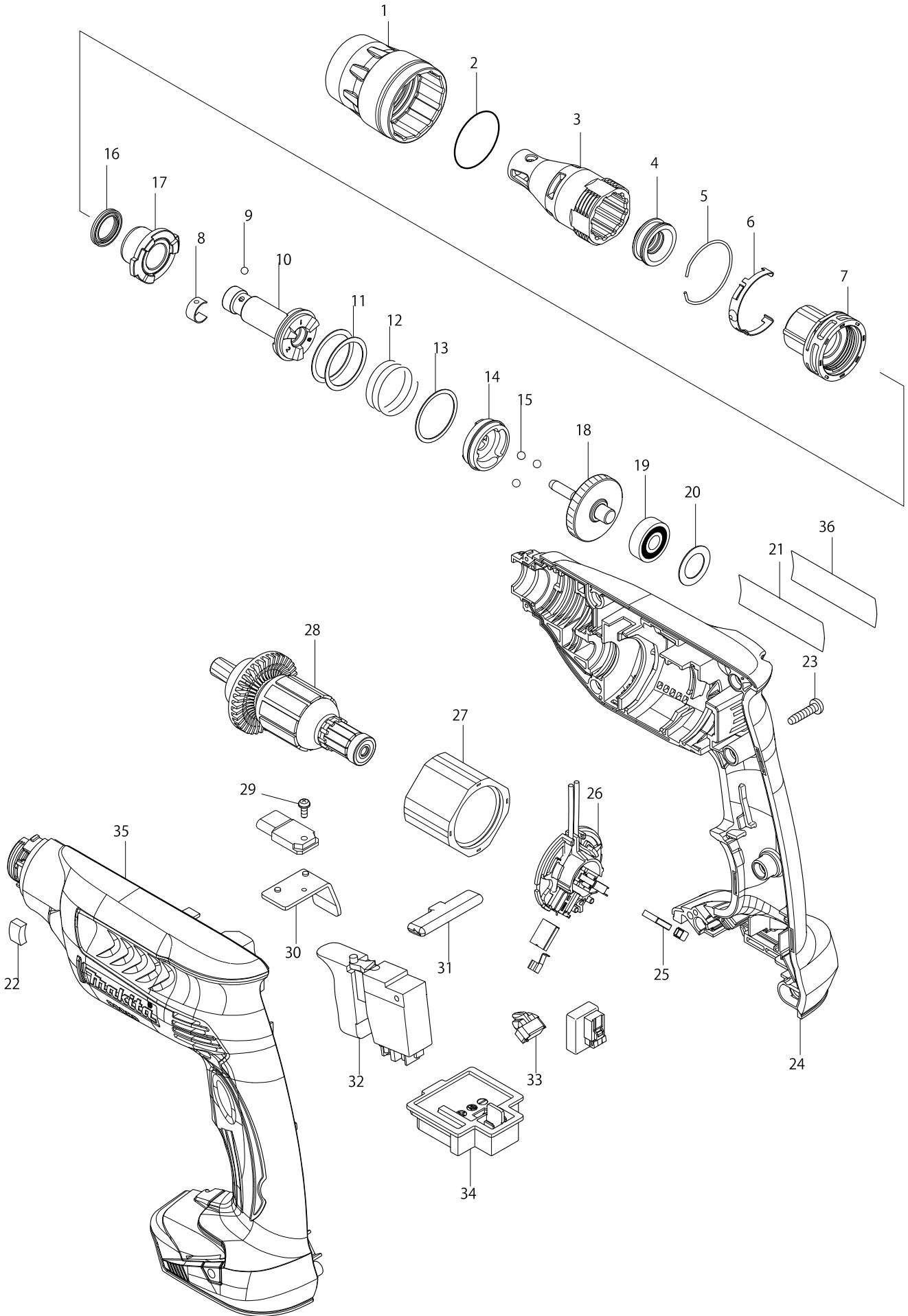


Model No. BFS451 CORDLESS SCREWDRIVER



Model No. BFS451 CORDLESS SCREWDRIVER

Item	Parts No.	Description	I/C	Qty	N/O	Opt. 1	Opt. 2	Note
001	450881-6	LOCK RING		1	*			
001-1	455591-0	LOCK RING	O	1				
002	424235-3	SEAL RING 30		1				
003	158875-2	LOCATOR S COMPLETE		1				
004	424163-2	DUST SEAL SLEEVE		1				
005A	233974-2	RING SPRING 33		1	*			
005B	233974-2	RING SPRING 33		1	*			
005-1A	234266-2	RING SPRING 33	<	1				
005-1B	234266-2	RING SPRING 33	<	1				
005-1C	234266-2	RING SPRING 33		1				
005-1D	234266-2	RING SPRING 33		1				
006	232245-4	LEAF SPRING		1				
007	141100-8	LOCATOR BASE COMPLETE		1				
008	232050-9	LEAF SPRING		1				
009	216001-0	STEEL BALL 3.5		1				
010	140771-8	SPINDLE 125S COMPLETE		1				
011	267331-2	FLAT WASHER 25		2				
012	234017-3	COMPRESSEION SPRING 25		1				
013	267332-0	FLAT WASHER 26		1				
014	223170-0	CLUTCH CAM 125S		1				
015	216008-6	STEEL BALL 4		3				
016	213184-7	X-RING 14		1				
017	140773-4	BEARING COMPLETE		1	*			
017-1	142306-1	BEARING COMPLETE	<	1				
018	140772-6	GEAR COMPLETE		1				
019	211032-4	BALL BEARING 608ZZ		1				
020	253192-6	FLAT WASHER 14		1				
021	869444-1	BFS451 NAME PLATE		1				
022	423413-2	RUBBER PLATE		1				
023	265995-6	TAPPING SCREW 4X18		7				
024	187092-7	HOUSING SET		1				
C10	263005-3	RUBBER PIN 6		2				
D10		INC. 35						
025	194427-5	CARBON BRUSH CB-440		1				
026	638868-0	BRUSH HOLDER COMPLETE		1				
C10	688163-8	LINE FILTER		1				
027	638426-2	YOKE UNIT		1				
028	619277-2	ARMATURE		1	*			
028-1	619351-6	ARMATURE	S	1				
029	911006-2	PAN HEAD SCREW M3X8		1				
030	689150-0	HEAT SINK		1				
031	452516-5	F/R CHANGE LEVER		1				
032	638869-8	SWITCH UNIT		1				
C10	688164-6	LINE FILTER		1				
033	620030-1	LIGHT CIRCUIT		1				
034	643852-2	TERMINAL		1				
035	187092-7	HOUSING SET		1				
C10	263005-3	RUBBER PIN 6		2				

