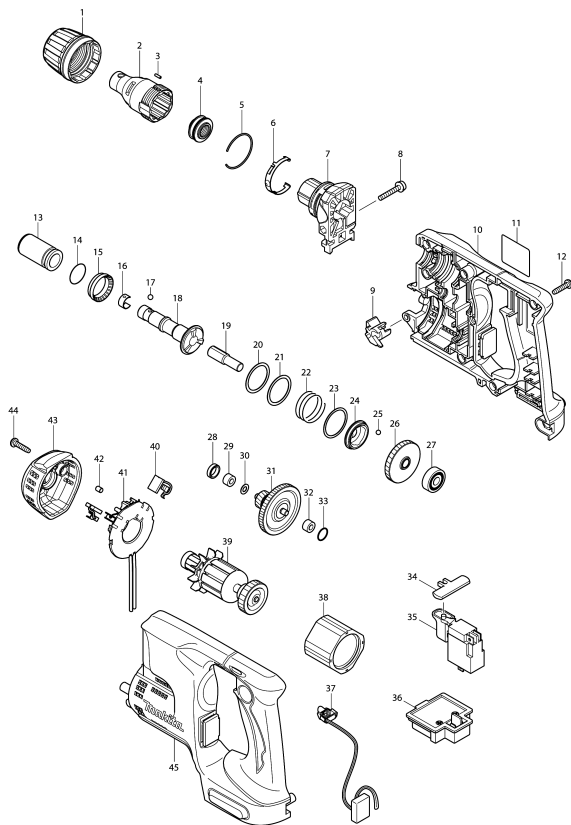


## Model No.BFS450 CORDLESS SCREWDRIVER



## Model No.BFS450 CORDLESS SCREWDRIVER

| Item  | Parts No. | Description           | I/C | Qty | New/Old | Opt. 1 | Opt. 2 | Note |
|-------|-----------|-----------------------|-----|-----|---------|--------|--------|------|
| 001   | 450691-1  | LOCK RING             |     | 1   |         |        |        |      |
| 002   | 158754-4  | LOCATOR S COMPLETE    |     | 1   |         |        |        |      |
| D10   |           | INC. 3.4              |     |     |         |        |        |      |
| 003   | 424133-1  | BRAKE PIN             |     | 1   |         |        |        |      |
| 004   | 424134-9  | DUST SEAL RING        |     | 1   |         |        |        |      |
| 005   | 233967-9  | RING SPRING 33        |     | 1   |         |        |        |      |
| 006   | 232245-4  | LEAF SPRING           |     | 1   |         |        |        |      |
| 007   | 158755-2  | LOCATOR BASE COMPLETE |     | 1   |         |        |        |      |
| 008   | 911148-2  | PAN HEAD SCREW M4X25  |     | 1   |         |        |        |      |
| 009   | 450689-8  | LIGHT HOLDER          |     | 1   |         |        |        |      |
| 010   | 188557-2  | HOUSING SET           |     | 1   | *       |        |        |      |
| D10   |           | INC. 45               |     |     | *       |        |        |      |
| 010-1 | 187478-5  | HOUSING SET           | X   | 1   |         |        |        |      |
| D10   |           | INC. 45               |     |     |         |        |        |      |
| 011   | 865344-3  | BFS450 NAME PLATE     |     | 1   |         |        |        |      |
| 012   | 265995-6  | TAPPING SCREW 4X18    |     | 9   |         |        |        |      |
| 013   | 214174-3  | PLANE BEARING 14      |     | 1   |         |        |        |      |
| 014   | 213262-3  | O RING 18             |     | 1   |         |        |        |      |
| 015   | 421927-5  | SLEEVE 20             |     | 1   |         |        |        |      |
| 016   | 232050-9  | LEAF SPRING           |     | 1   |         |        |        |      |
| 017   | 216001-0  | STEEL BALL 3.5        |     | 1   |         |        |        |      |
| 018   | 324925-7  | SPINDLE               |     | 1   |         |        |        |      |
| 019   | 256509-2  | SHOULDER PIN 8-10     |     | 1   |         |        |        |      |
| 020   | 267331-2  | FLAT WASHER 25        |     | 1   |         |        |        |      |
| 021   | 267331-2  | FLAT WASHER 25        |     | 1   |         |        |        |      |
| 022   | 234017-3  | COMPRESSION SPRING 25 |     | 1   |         |        |        |      |
| 023   | 267332-0  | FLAT WASHER 26        |     | 1   |         |        |        |      |
| 024   | 223169-5  | CLUTCH CAM C          |     | 1   |         |        |        |      |
| 025   | 216008-6  | STEEL BALL 4          |     | 3   |         |        |        |      |
| 026   | 226670-9  | HELICAL GEAR 48       |     | 1   |         |        |        |      |
| 027   | 211034-0  | BALL BEARING 608      |     | 1   |         |        |        |      |
| 028   | 165115-1  | RUBBER SLEEVE 10      |     | 1   |         |        |        |      |
| 029   | 214017-9  | PLANE BEARING 5       |     | 1   |         |        |        |      |
| 030   | 253811-4  | FLAT WASHER 5         |     | 1   |         |        |        |      |
| 031   | 154937-4  | GEAR COMPLETE 18-44   |     | 1   |         |        |        |      |
| 032   | 214017-9  | PLANE BEARING 5       |     | 1   |         |        |        |      |
| 033   | 213055-8  | O RING 10             |     | 1   |         |        |        |      |
| 034   | 419304-3  | F/R CHANGE LEVER      |     | 1   |         |        |        |      |
| 035   | 650603-6  | SWITCH TG513SBA-1     |     | 1   | *       |        |        |      |
| 035-1 | 650670-1  | SWITCH TG513SBA-2     | X   | 1   |         |        |        |      |
| 036   | 643812-4  | TERMINAL              |     | 1   | *       |        |        |      |
| 036-1 | 643843-3  | TERMINAL              | <   | 1   | *       |        |        |      |

Please order the parts with part number.

Print Date 17/9/2020

## Model No.BFS450 CORDLESS SCREWDRIVER

| Item  | Parts No. | Description                    | I/C | Qty | New/Old | Opt. 1 | Opt. 2 | Note |
|-------|-----------|--------------------------------|-----|-----|---------|--------|--------|------|
| 036-2 | 643860-3  | TERMINAL                       | X   | 1   |         |        |        |      |
| 037   | 631818-4  | LIGHT CIRCUIT                  |     | 1   | *       |        |        |      |
| 038   | 638426-2  | YOKE UNIT                      |     | 1   |         |        |        |      |
| 039   | 619216-2  | ARMATURE                       |     | 1   |         |        |        |      |
| 040   | 194427-5  | CARBON BRUSH CB-440            |     | 1   | *       |        |        |      |
| 040-1 | 194427-5  | CARBON BRUSH CB-440            | X   | 1   |         |        |        |      |
| 041   | 638433-5  | BRUSH HOLDER COMPLETE          |     | 1   |         |        |        |      |
| C10   | 231696-8  | TORSION SPRING R               |     | 1   |         |        |        |      |
| C20   | 231697-6  | TORSION SPRING L               |     | 1   |         |        |        |      |
| 042   | 263032-0  | RUBBER PIN 4                   |     | 2   |         |        |        |      |
| 043   | 450692-9  | FRONT COVER                    |     | 1   |         |        |        |      |
| 044   | 265995-6  | TAPPING SCREW 4X18             |     | 2   |         |        |        |      |
| 045   | 188557-2  | HOUSING SET                    |     | 1   | *       |        |        |      |
| D10   |           | INC. 10                        |     |     | *       |        |        |      |
| 045-1 | 187478-5  | HOUSING SET                    | X   | 1   |         |        |        |      |
| D10   |           | INC. 10                        |     |     |         |        |        |      |
| A01   | 281220-7  | HOOK                           |     | 1   |         |        |        |      |
| A02   | 784211-2  | PHILLIPS INSERT BIT 2-25       |     | 2   | *       |        |        |      |
| A02-1 | 784261-7  | +BIT 2-25                      | O   | 2   |         |        |        |      |
| A03   | 784807-9  | MAGNETIC CONNECT BIT 6.35-60   |     | 1   | *       |        |        |      |
| A03-1 | 784811-8  | MAGNETIC CONNECT BIT 6.35-60   | O   | 1   |         |        |        |      |
| A04   | ***DC18RA | DC18RA FAST CHARGER            |     | 1   | *       |        |        |      |
| A04-1 | ***DC18RC | DC18RC FAST CHARGER            | <   | 1   |         |        |        |      |
| A05   | 194204-5  | BATTERY BL1830 SET             |     | 2   | *       |        |        |      |
| A05-1 | 194204-5  | BATTERY BL1830 SET             | O   | 2   | *       |        |        |      |
| A05-2 | 194204-5  | BATTERY BL1830 SET             | O   | 2   | *       |        |        |      |
| A05-3 | 194204-5  | BATTERY BL1830 SET             | O   | 2   | *       |        |        |      |
| A05-4 | 197600-6  | BATTERY BL1830B SET            | <   | 2   | *       |        |        |      |
| A05-5 | 197600-6  | BATTERY BL1830B SET            | O   | 2   |         |        |        |      |
| A06   | 450128-8  | BATTERY COVER                  |     | 1   |         |        |        |      |
| A07   | 824756-9  | PLASTIC CARRYING CASE          |     | 1   | *       |        |        |      |
| C10   | 417059-4  | LATCH                          |     | 2   | *       |        |        |      |
| A07-1 | 140392-6  | PLASTIC CARRYING CASE COMPLETE | <   | 1   |         |        |        |      |
| C10   | 417059-4  | LATCH                          |     | 2   |         |        |        |      |
| E01   | 620123-4  | CONTROLLER                     |     | 1   |         |        |        |      |
| E02   | 688172-7  | LINE FILTER                    |     | 2   |         |        |        |      |

Please order the parts with part number.

Print Date 17/9/2020