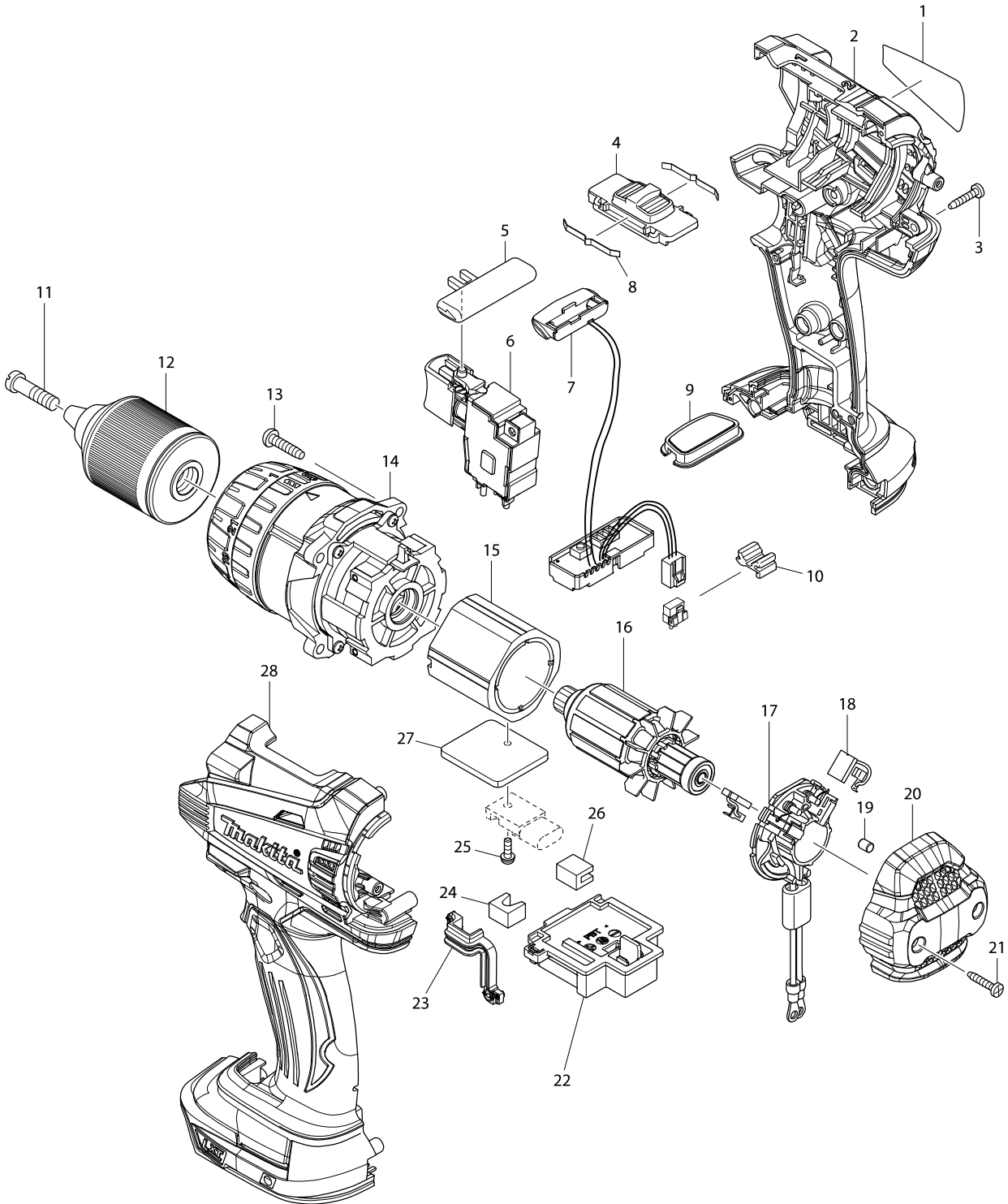


Model No. BDF458 CORDLESS DRIVER DRILL



Model No. BDF458 CORDLESS DRIVER DRILL

Item	Parts No.	Description	I/C	Qty	N/O	Opt. 1	Opt. 2	Note
001	897139-6	BDF458 NAME PLATE		1				
002	187430-3	HOUSING SET		1				
C10	263005-3	RUBBER PIN 6		2				
C20	252126-6	HEX. LOCKING NUT M4-7		2				
D10		INC. 28						
003	266130-9	TAPPING SCREW BIND PT 3X16		7				
004	126100-9	SPEED CHANGE LEVER ASSEMBLY		1				
C10	233438-6	COMPRESSION SPRING 4		2				
005	419250-0	F/R CHANGE LEVER		1				
006	650682-4	SWITCH TG573FSB-3		1	*			
006-1	650724-4	SWITCH TG573FSB-3	<	1				
007	620138-1	LIGHT CIRCUIT		1				
008	232220-0	LEAF SPRING		2				
009	140963-9	SWITCH PLATE COMPLETE		1				
010	424026-2	CUSHION		1	*			
010-1	424476-1	CUSHION	<	1				
011	251468-5	- FLAT HEAD SCREW M6X22		1				
012	766015-4	KEYLESS DRILL CHUCK 13		1	*			
012-1	763248-2	KEYLESS DRILL CHUCK 13	<	1				
013	265995-6	TAPPING SCREW 4X18		4				
014	126098-0	GEAR ASSEMBLY		1				
015	638989-8	YOKE UNIT		1				
016	619301-1	ARMATURE		1	*			
016-1	619496-0	ARMATURE	<	1				
017	638991-1	BRUSH HOLDER COMPLETE		1	*			
C10	688172-7	LINE FILTER		1	*			
017-1	632K64-8	BRUSH HOLDER COMPLETE	<	1				
C10	688172-7	LINE FILTER		1				
018	194427-5	CARBON BRUSH CB-440		1				
019	263032-0	RUBBER PIN 4		2				
020	453394-6	REAR COVER		1				
021	266130-9	TAPPING SCREW BIND PT 3X16		2				
022	643859-8	TERMINAL		1	*			
022-1	644808-8	TERMINAL	○	1				
023	424430-5	SEAL		1				
024	423422-1	SPONGE A		1				
025	911013-5	PAN HEAD SCREW M3X10		1				
026	423423-9	SPONGE B		1				
027	689176-2	HEAT SINK		1				
028	187430-3	HOUSING SET		1				
C10	263005-3	RUBBER PIN 6		2				
C20	252126-6	HEX. LOCKING NUT M4-7		2				
D10		INC. 2						
A01	126130-0	GRIP ASSEMBLY		1	*			
C10	154935-8	GRIP 36 COMPLETE		1	*			
C20	266750-9	SQUARE BOLT M8X100		1	*			
C30	346566-9	GRIP SPRING 60		1	*			
C40	453584-1	GRIP BASE 60		1	*			

Model No. BDF458 CORDLESS DRIVER DRILL

Item	Parts No.	Description	I/C	Qty	N/O	Opt. 1	Opt. 2	Note
A01-1	123258-5	GRIP ASSEMBLY	<	1				
C10	154935-8	GRIP 36 COMPLETE		1				
C20	266899-5	SQUARE BOLT M8X140		1				
C30	346566-9	GRIP SPRING 60		1				
C40	455189-3	GRIP BASE 60		1				
A02	251314-2	+ SCREW M4X12		2				
A03	346317-0	HOOK		1				
A04	452947-8	BIT HOLDER		1				
A05	784637-8	+/- BIT 2-45		2				
A06A	***DC18RC	DC18RC FAST CHARGER		1				
A06C	***DC18RC	DC18RC FAST CHARGER		1				
A07A	194204-5	BATTERY BL1830 SET		2	*			
A07C	194204-5	BATTERY BL1830 SET		2	*			
A07-1A	194204-5	BATTERY BL1830 SET	O	2	*			
A07-1C	194204-5	BATTERY BL1830 SET	O	2	*			
A07-2A	197600-6	BATTERY BL1830B SET	<	2				
A07-2C	197600-6	BATTERY BL1830B SET	<	2				
A08A	450128-8	BATTERY COVER		1				
A08C	450128-8	BATTERY COVER		1				
A09A	821524-1	PLASTIC CARRYING CASE		1				
C10	162302-3	LATCH		2				
C20	325809-2	SHAFT		1				
C30	451749-9	HANDLE		1				
C40	453473-0	PLASTIC CASE LID		1				
A09C	821550-0	CONNECTOR PLASTIC CASE (TYPE2)		1	*			
C10	453974-8	LATCH		4	*			
A09D	821550-0	CONNECTOR PLASTIC CASE (TYPE2)		1	*			
C10	453974-8	LATCH		4	*			
A09-1C	821550-0	CONNECTOR PLASTIC CASE (TYPE2)	<	1				
C10	453974-8	LATCH		4				
A09-1D	821550-0	CONNECTOR PLASTIC CASE (TYPE2)	<	1				
C10	453974-8	LATCH		4				
A10A	898573-3	BDF458RFE PLASTIC CASE LABEL		2				
A10C	837679-2	INNER TRAY		1	*			
A10D	837679-2	INNER TRAY		1	*			
A10-1C	837916-4	INNER TRAY	<	1				
A10-1D	837916-4	INNER TRAY	<	1				
A11C	800N48-4	BDF458RFJ INDICATION LABEL		1				
A11D	800N50-7	BDF458ZJ INDICATION LABEL		1				
A12C	800N49-2	BDF458RFJ PLASTIC CASE LABEL		2				
A12D	800N51-5	BDF458ZJ PLASTIC CASE LABEL		2				