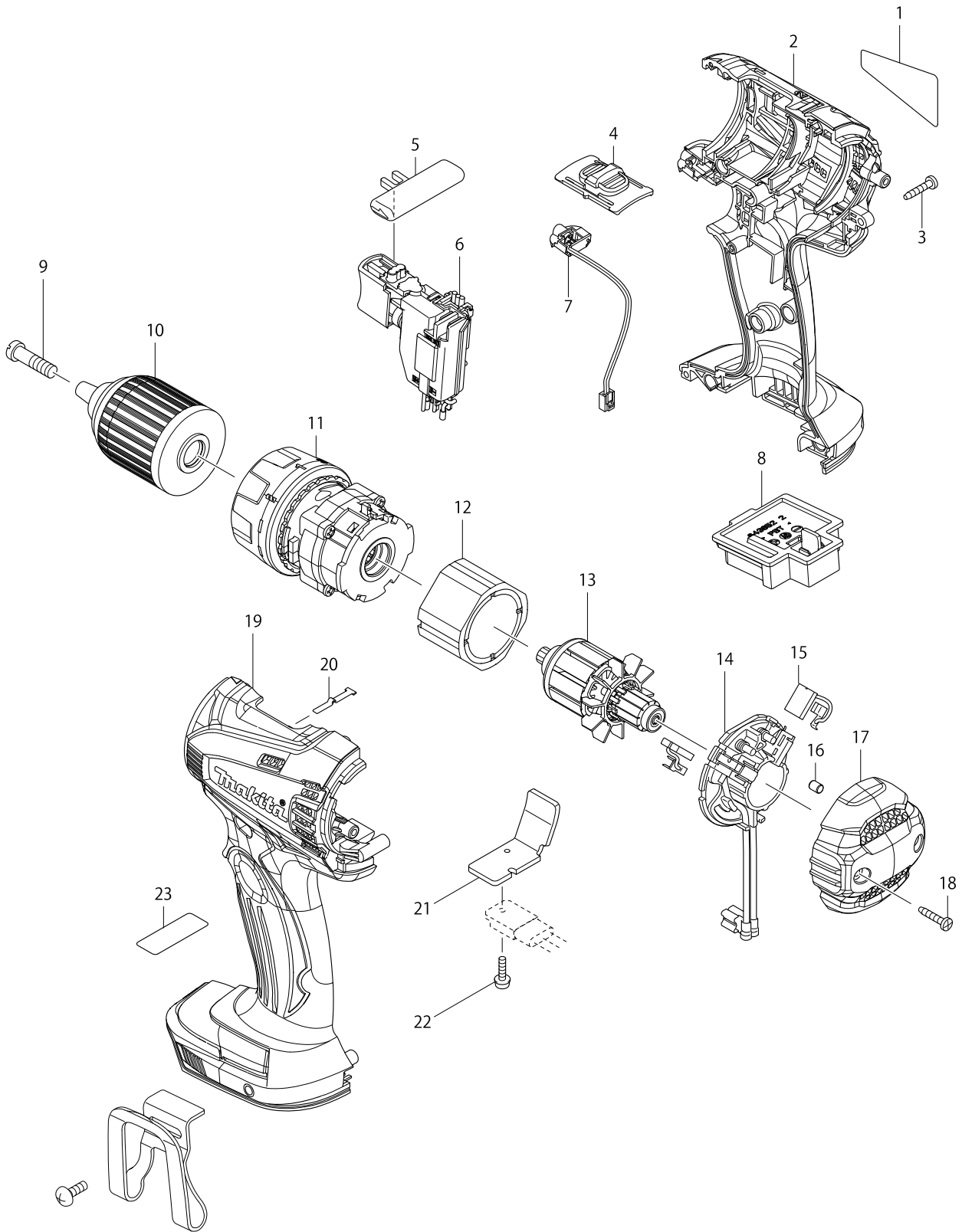


Model No. BDF456 CORDLESS DRIVER DRILL



Model No. BDF456 CORDLESS DRIVER DRILL

Item	Parts No.	Description	I/C	Qty	N/O	Opt. 1	Opt. 2	Note
001	868487-0	BDF456 NAME PLATE		1				
D10		INC. 19						
002	188932-2	HOUSING SET		1				
				1				
				1				
				1				
002	188931-4	HOUSING SET WHITE		1				
				1				
				1				
				1				
				1				
				1				
				1				
003	266429-2	TAPPING SCREW 3X16		9				
004A	125832-5	SPEED CHANGE LEVER ASSEMBLY		1	*			
C10	233438-6	COMPRESSION SPRING 4		2	*			
004B	125832-5	SPEED CHANGE LEVER ASSEMBLY		1	*			
C10	233438-6	COMPRESSION SPRING 4		2	*			
004C	125832-5	SPEED CHANGE LEVER ASSEMBLY		1	*			
C10	233438-6	COMPRESSION SPRING 4		2	*			
004D	125832-5	SPEED CHANGE LEVER ASSEMBLY		1	*			
C10	233438-6	COMPRESSION SPRING 4		2	*			
004F	125832-5	SPEED CHANGE LEVER ASSEMBLY		1	*			
C10	233438-6	COMPRESSION SPRING 4		2	*			
004-1A	126289-3	SPEED CHANGE LEVER ASSEMBLY	<	1				
C10	233438-6	COMPRESSION SPRING 4		2				
004-1B	126289-3	SPEED CHANGE LEVER ASSEMBLY	<	1				
C10	233438-6	COMPRESSION SPRING 4		2				
004-1C	126289-3	SPEED CHANGE LEVER ASSEMBLY	<	1				
C10	233438-6	COMPRESSION SPRING 4		2				
004-1D	126289-3	SPEED CHANGE LEVER ASSEMBLY	<	1				
C10	233438-6	COMPRESSION SPRING 4		2				
004-1F	126289-3	SPEED CHANGE LEVER ASSEMBLY	<	1				
C10	233438-6	COMPRESSION SPRING 4		2				
004-1I	126289-3	SPEED CHANGE LEVER ASSEMBLY		1				
C10	233438-6	COMPRESSION SPRING 4		2				
004-1J	126289-3	SPEED CHANGE LEVER ASSEMBLY		1				
C10	233438-6	COMPRESSION SPRING 4		2				
004-1N	126289-3	SPEED CHANGE LEVER ASSEMBLY		1				
C10	233438-6	COMPRESSION SPRING 4		2				
004-1O	126289-3	SPEED CHANGE LEVER ASSEMBLY		1				
C10	233438-6	COMPRESSION SPRING 4		2				
004-1P	126289-3	SPEED CHANGE LEVER ASSEMBLY		1				
C10	233438-6	COMPRESSION SPRING 4		2				
004-1Q	126289-3	SPEED CHANGE LEVER ASSEMBLY		1				
C10	233438-6	COMPRESSION SPRING 4		2				
004-1R	126289-3	SPEED CHANGE LEVER ASSEMBLY		1				

Model No. BDF456 CORDLESS DRIVER DRILL

Item	Parts No.	Description	I/C	Qty	N/O	Opt. 1	Opt. 2	Note
C10	233438-6	COMPRESSION SPRING 4		2				
005	419250-0	F/R CHANGE LEVER		1				
006	650637-9	SWITCH		1	*			
006-1	650731-7	SWITCH C3HZ-1A-TLMS	<	1				
007	620012-3	LED CIRCUIT		1	*			
007-1	620388-8	LED CIRCUIT	O	1				
008	643852-2	TERMINAL		1				
009	251468-5	- FLAT HEAD SCREW M6X22		1				
010	763175-3	KEYLESS DRILL CHUCK 13		1	*			
010-1	766027-7	KEYLESS DRILL CHUCK 13	<	1				
011	125831-7	GEAR ASSEMBLY		1	*			
011-1	126459-4	GEAR ASSEMBLY	<	1				
012A	638611-7	YORK UNIT		1	*			
012B	638611-7	YORK UNIT		1	*			
012C	638611-7	YORK UNIT		1	*			
012D	638611-7	YORK UNIT		1	*			
012F	638611-7	YORK UNIT		1	*			
012I	638611-7	YORK UNIT		1	*			
012J	638611-7	YORK UNIT		1	*			
012-1A	638425-4	YOKE UNIT	O	1				
012-1B	638425-4	YOKE UNIT	O	1				
012-1C	638425-4	YOKE UNIT	O	1				
012-1D	638425-4	YOKE UNIT	O	1				
012-1F	638425-4	YOKE UNIT	O	1				
012-1I	638425-4	YOKE UNIT	O	1				
012-1J	638425-4	YOKE UNIT	O	1				
012-1N	638425-4	YOKE UNIT		1				
012-1O	638425-4	YOKE UNIT		1				
012-1P	638425-4	YOKE UNIT		1				
012-1Q	638425-4	YOKE UNIT		1				
012-1R	638425-4	YOKE UNIT		1				
013	619263-3	ARMATURE		1				
014A	638728-6	BRUSH HOLDER COMPLETE		1	*			
014B	638728-6	BRUSH HOLDER COMPLETE		1	*			
014C	638728-6	BRUSH HOLDER COMPLETE		1	*			
014D	638728-6	BRUSH HOLDER COMPLETE		1	*			
014-1A	638845-2	BRUSH HOLDER COMPLETE	S	1				
014-1B	638845-2	BRUSH HOLDER COMPLETE	S	1				
014-1C	638845-2	BRUSH HOLDER COMPLETE	S	1				
014-1D	638845-2	BRUSH HOLDER COMPLETE	S	1				
014-1F	638845-2	BRUSH HOLDER COMPLETE		1				
014-1I	638845-2	BRUSH HOLDER COMPLETE		1				
014-1J	638845-2	BRUSH HOLDER COMPLETE		1				
014-1N	638845-2	BRUSH HOLDER COMPLETE		1				
014-1O	638845-2	BRUSH HOLDER COMPLETE		1				
014-1P	638845-2	BRUSH HOLDER COMPLETE		1				
014-1Q	638845-2	BRUSH HOLDER COMPLETE		1				
014-1R	638845-2	BRUSH HOLDER COMPLETE		1				

Item	Parts No.	Description	I/C	Qty	N/O	Opt. 1	Opt. 2	Note
015A	194427-5	CARBON BRUSH CB-440		1	*			
015B	194427-5	CARBON BRUSH CB-440		1	*			
015C	194427-5	CARBON BRUSH CB-440		1	*			
015D	194427-5	CARBON BRUSH CB-440		1	*			
015-1A	194427-5	CARBON BRUSH CB-440	X	1				
015-1B	194427-5	CARBON BRUSH CB-440	X	1				
015-1C	194427-5	CARBON BRUSH CB-440	X	1				
015-1D	194427-5	CARBON BRUSH CB-440	X	1				
015-1F	194427-5	CARBON BRUSH CB-440		1				
015-1I	194427-5	CARBON BRUSH CB-440		1				
015-1J	194427-5	CARBON BRUSH CB-440		1				
015-1N	194427-5	CARBON BRUSH CB-440		1				
015-1O	194427-5	CARBON BRUSH CB-440		1				
015-1P	194427-5	CARBON BRUSH CB-440		1				
015-1Q	194427-5	CARBON BRUSH CB-440		1				
015-1R	194427-5	CARBON BRUSH CB-440		1				
016	263032-0	RUBBER PIN 4		2				
017	452205-2	REAR COVER		1				
				1				
				1				
				1				
				1				
				1				
				1				
				1				
				1				
017P	452202-8	REAR COVER WHITE		1				
				1				
				1				
018	266429-2	TAPPING SCREW 3X16		2				
D10		INC. 2						
019A	188932-2	HOUSING SET		1				
				1				
				1				
				1				
019F	188931-4	HOUSING SET WHITE		1				
				1				
				1				
				1				
				1				
				1				
				1				
				1				
020	232182-2	LEAF SPRING		1				
021	689170-4	HEAT SINK		1				
022	911013-5	PAN HEAD SCREW M3X10		1				
A01	251314-2	+ SCREW M4X12		1				
A02A	346317-0	HOOK		1				

Item	Parts No.	Description	I/C	Qty	N/O	Opt. 1	Opt. 2	Note
A02B	346034-2	HOOK		1	*			
A02C	346034-2	HOOK		1	*			
A02D	346317-0	HOOK		1				
A02F	346317-0	HOOK		1				
A02I	346317-0	HOOK		1				
A02J	346449-3	HOOK		1				
A02N	346317-0	HOOK		1				
A02P	346317-0	HOOK		1				
A02Q	346317-0	HOOK		1				
A02R	346449-3	HOOK		1				
A02-1B	346449-3	HOOK	O	1				
A02-1C	346449-3	HOOK	O	1				
A02-1O	346449-3	HOOK		1				
A03	784637-8	+ BIT 2-45		1				
A04A	140756-4	PLASTIC CARRYING CASE COMPLETE		1	*			
C10	162302-3	LATCH		2	*			
C20	324207-7	SHAFT		1	*			
C30	451749-9	HANDLE		1	*			
A04C	824953-7	PLASTIC CARRYING CASE		1	*			
C10	162302-3	LATCH		2	*			
C20	324207-7	SHAFT		1	*			
C30	451749-9	HANDLE		1	*			
A04D	824754-3	PLASTIC CASE		1	*			
C10	419216-0	HANDLE		1	*			
C20	417724-5	LATCH		2	*			
C30	419268-1	PLASTIC CASE LID		1	*			
C40	419269-9	PLATE		5	*			
C50	324667-3	SHAFT		1	*			
A04F	824870-1	PLASTIC CASE		1	*			
C10	324667-3	SHAFT		1	*			
C20	417724-5	LATCH		2	*			
C30	419216-0	HANDLE		1	*			
C40	451028-5	PLATE		5	*			
C50	450830-3	PLASTIC CASE LID		1	*			
A04I	821550-0	CONNECTOR PLASTIC CASE (TYPE2)		1	*			
C10	453974-8	LATCH		4	*			
A04J	821550-0	CONNECTOR PLASTIC CASE (TYPE2)		1	*			
C10	453974-8	LATCH		4	*			
A04P	821550-0	CONNECTOR PLASTIC CASE (TYPE2)		1	*			
C10	453974-8	LATCH		4	*			
A04Q	821551-8	CONNECTOR PLASTIC CASE (TYPE3)		1	*			
C10	453974-8	LATCH		4	*			
A04R	821550-0	CONNECTOR PLASTIC CASE (TYPE2)		1	*			
C10	453974-8	LATCH		4	*			
A04-1A	824754-3	PLASTIC CASE	O	1	*			
C10	419216-0	HANDLE		1	*			
C20	417724-5	LATCH		2	*			
C30	419268-1	PLASTIC CASE LID		1	*			

Item	Parts No.	Description	I/C	Qty	N/O	Opt. 1	Opt. 2	Note
C40	419269-9	PLATE		5	*			
C50	324667-3	SHAFT		1	*			
A04-1C	140757-2	PLASTIC CARRYING CASE COMPLETE	<	1	*			
C10	162302-3	LATCH		2	*			
C20	324207-7	SHAFT		1	*			
C30	451749-9	HANDLE		1	*			
A04-1D	140354-4	PLASTIC CASE COMPLETE	<	1				
C10	419216-0	HANDLE		1				
C20	417724-5	LATCH		2				
C30	419268-1	PLASTIC CASE LID		1				
C40	419269-9	PLATE		5				
C50	324667-3	SHAFT		1				
A04-1F	158865-5	PLASTIC CARRYING CASE	<	1				
C10	324667-3	SHAFT		1				
C20	417724-5	LATCH		2				
C30	419216-0	HANDLE		1				
C40	451028-5	PLATE		5				
C50	450830-3	PLASTIC CASE LID		1				
A04-1I	821550-0	CONNECTOR PLASTIC CASE (TYPE2)	<	1				
C10	453974-8	LATCH		4				
A04-1J	821550-0	CONNECTOR PLASTIC CASE (TYPE2)	<	1				
C10	453974-8	LATCH		4				
A04-1P	821550-0	CONNECTOR PLASTIC CASE (TYPE2)	<	1				
C10	453974-8	LATCH		4				
A04-1Q	821551-8	CONNECTOR PLASTIC CASE (TYPE3)	<	1				
C10	453974-8	LATCH		4				
A04-1R	821550-0	CONNECTOR PLASTIC CASE (TYPE2)	<	1				
C10	453974-8	LATCH		4				
A04-2A	140354-4	PLASTIC CASE COMPLETE	<	1				
C10	419216-0	HANDLE		1				
C20	417724-5	LATCH		2				
C30	419268-1	PLASTIC CASE LID		1				
C40	419269-9	PLATE		5				
C50	324667-3	SHAFT		1				
A04-2C	141856-3	PLASTIC CARRYING CASE COMPLETE	<	1				
C10	162302-3	LATCH		2				
C20	324207-7	SHAFT		1				
C30	451749-9	HANDLE		1				
A04-2N	140354-4	PLASTIC CASE COMPLETE		1				
C10	419216-0	HANDLE		1				
C20	417724-5	LATCH		2				
C30	419268-1	PLASTIC CASE LID		1				
C40	419269-9	PLATE		5				
C50	324667-3	SHAFT		1				
A04-2O	141856-3	PLASTIC CARRYING CASE COMPLETE		1				
C10	162302-3	LATCH		2				
C20	324207-7	SHAFT		1				
C30	451749-9	HANDLE		1				

Item	Parts No.	Description	I/C	Qty	N/O	Opt. 1	Opt. 2	Note
A05A	450128-8	BATTERY COVER		1				
A05C	450128-8	BATTERY COVER		1				
A05D	892366-0	BDF456RFLE PLASTIC CASE LABEL		1				
A05F	450128-8	BATTERY COVER		1				
A05I	450128-8	BATTERY COVER		1				
A05N	450128-8	BATTERY COVER		1				
A05O	450128-8	BATTERY COVER		1				
A05P	450128-8	BATTERY COVER		1				
A05Q	837893-0	INNER TRAY		1				
A05R	450128-8	BATTERY COVER		1				
A06A	***DC18RA	DC18RA FAST CHARGER		1	*			
A06C	***DC18RA	DC18RA FAST CHARGER		1	*			
A06D	***DC18RA	DC18RA FAST CHARGER		1	*			
A06-1A	***DC18RC	DC18RC FAST CHARGER	<	1				
A06-1C	***DC18RC	DC18RC FAST CHARGER	<	1				
A06-1D	***DC18RC	DC18RC FAST CHARGER	<	1				
A06-1F	***DC18RC	DC18RC FAST CHARGER		1				
A06-1I	***DC18RC	DC18RC FAST CHARGER		1				
A06-1N	***DC18RC	DC18RC FAST CHARGER		1				
A06-1O	***DC18RC	DC18RC FAST CHARGER		1				
A06-1P	***DC18RC	DC18RC FAST CHARGER		1				
A06-1Q	***DC18RC	DC18RC FAST CHARGER		1				
A06-1R	***DC18RC	DC18RC FAST CHARGER		1				
A07A	194204-5	BATTERY BL1830 SET		2	*			
A07C	194513-2	BATTERY BL1815 SET		2				
A07D	194204-5	BATTERY BL1830 SET		2	*			
A07O	196235-0	BATTERY BL1815N SET		2	*			
A07R	194513-2	BATTERY BL1815 SET		2				
A07-1A	194204-5	BATTERY BL1830 SET	O	2	*			
A07-1D	194204-5	BATTERY BL1830 SET	O	2	*			
A07-1F	194204-5	BATTERY BL1830 SET		2	*			
A07-1I	194204-5	BATTERY BL1830 SET		2	*			
A07-1N	194204-5	BATTERY BL1830 SET		2	*			
A07-1O	196235-0	BATTERY BL1815N SET	O	2				
A07-1P	194204-5	BATTERY BL1830 SET		2	*			
A07-1Q	194204-5	BATTERY BL1830 SET		2	*			
A07-2A	194204-5	BATTERY BL1830 SET	O	2				
A07-2D	194204-5	BATTERY BL1830 SET	O	2				
A07-2F	194204-5	BATTERY BL1830 SET	O	2				
A07-2I	194204-5	BATTERY BL1830 SET	O	2				
A07-2N	194204-5	BATTERY BL1830 SET	O	2				
A07-2P	194204-5	BATTERY BL1830 SET	O	2				
A07-2Q	194204-5	BATTERY BL1830 SET	O	2				
A08A	891650-0	BDF456RFE PLASTIC CASE LABEL		2	*			
A08C	891654-2	BDF456RHE PLASTIC CASE LABEL		2				
A08D	STEXBML185	RECHARGEABLE JOB SITE LIGHT		1	*			
A08F	800E30-9	BDF456RFEW PLASTIC CASE LABEL		1				
A08I	837679-2	INNER TRAY		1	*			

Item	Parts No.	Description	I/C	Qty	N/O	Opt. 1	Opt. 2	Note
A08J	837679-2	INNER TRAY		1	*			
A08N	802B08-0	BDF456RFEB PLASTIC CASE LABEL		1				
A08O	802A84-8	BDF456RYE PLASTIC CASE LABEL		2				
A08P	837679-2	INNER TRAY		1	*			
A08Q	STEXBML185	RECHARGEABLE JOB SITE LIGHT		1	*			
A08R	837863-9	INNER TRAY		1				
A08-1A	893709-9	BDF456RFE PLASTIC CASE LABEL	<	1				
A08-1D	DEADML185	RECHARGEABLE FLASHLIGHT	<	1				
A08-1I	837916-4	INNER TRAY	<	1				
A08-1J	837916-4	INNER TRAY	<	1				
A08-1P	837916-4	INNER TRAY	<	1				
A08-1Q	DEADML185	RECHARGEABLE FLASHLIGHT	<	1				
A09D	345261-8	HOOK PLATE		2				
A09I	800N44-2	BDF456RFJ INDICATION LABEL		1				
A09J	800N46-8	BDF456ZJ INDICATION LABEL		1				
A09P	802E37-1	BDF456RFWJ INDICATION LABEL		1				
A09Q	345261-8	HOOK PLATE		2				
A09R	801Y76-8	BDF456RHJ INDICATION LABEL		1				
A10D	417926-3	STRAP G0970200500		1				
A10I	800N45-0	BDF456RFJ PLASTIC CASE LABEL		2				
A10J	800N47-6	BDF456ZJ PLASTIC CASE LABEL		2				
A10P	802E38-9	BDF456RFWJ PLASTIC CASE LABEL		2				
A10Q	417926-3	STRAP G0970200500		1				
A10R	801Y77-6	BDF456RHJ PLASTIC CASE LABEL		2				
A11Q	802E39-7	BDF456RFLJ INDICATION LABEL		1				
A12Q	802E40-2	BDF456RFLJ PLASTIC CASE LABEL		2				
E01A	688161-2	LINE FILTER		1	*			
E01B	688161-2	LINE FILTER		1	*			
E01C	688161-2	LINE FILTER		1	*			
E01D	688161-2	LINE FILTER		1	*			