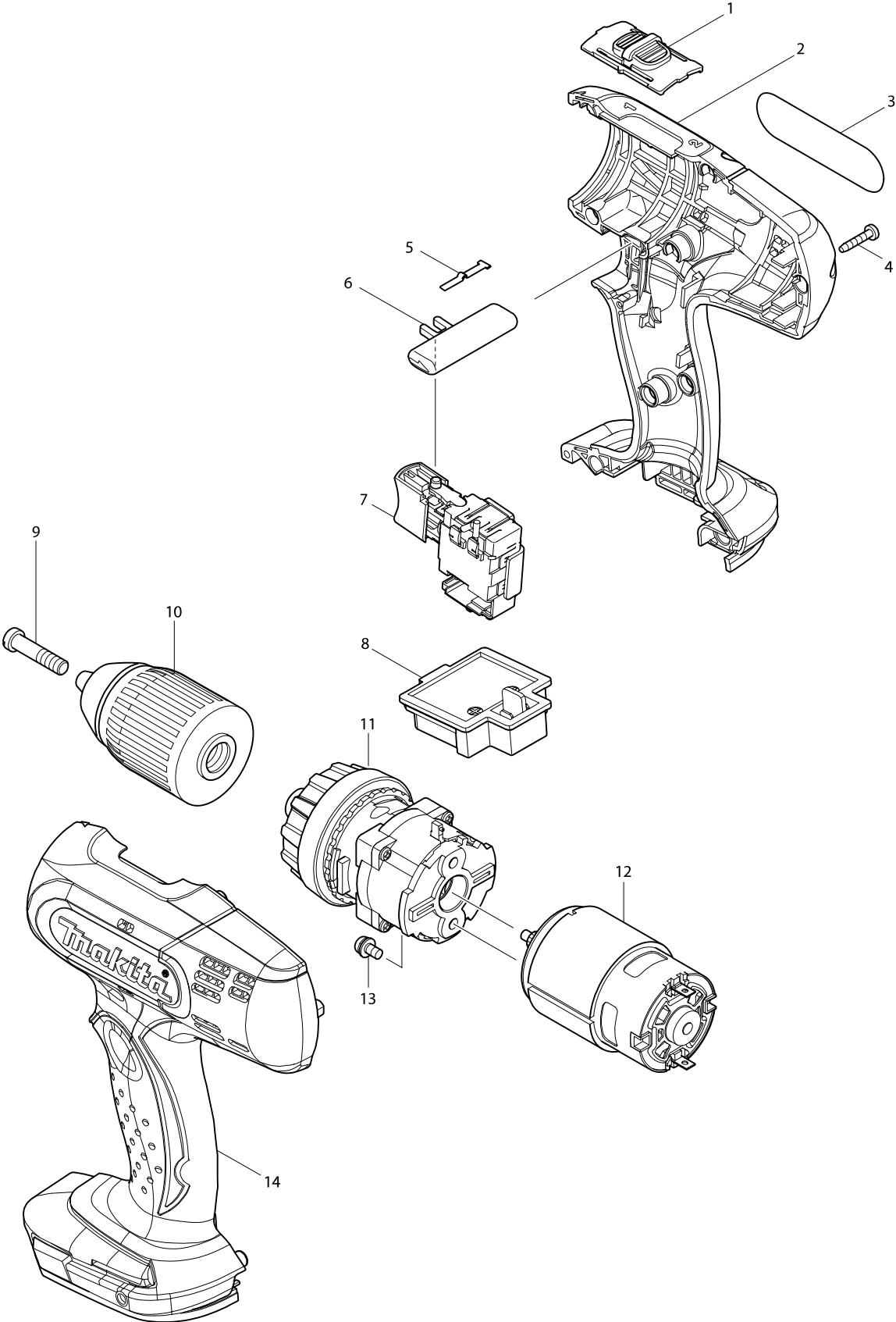


Model No. BDF453 CORDLESS DRIVER DRILL 13MM



# Model No. BDF453 CORDLESS DRIVER DRILL 13MM

Item	Parts No.	Description	I/C	Qty	N/O	Opt. 1	Opt. 2	Note
001	125310-5	SPEED CHANGE LEVER ASS'Y		1				
C10	231433-0	COMPRESSION SPRING 4		2				
002A	188542-5	HOUSING SET		1	*			
D10		INC. 14			*			
002B	188542-5	HOUSING SET		1	*			
D10		INC. 14			*			
002C	188543-3	HOUSING SET		1	*			
D10		INC. 14			*			
002D	188542-5	HOUSING SET		1	*			
D10		INC. 14			*			
002-1A	187363-2	HOUSING SET	X	1				
D10		INC. 14						
002-1B	187363-2	HOUSING SET	X	1				
D10		INC. 14						
002-1C	187365-8	HOUSING SET	X	1				
D10		INC. 14						
002-1D	187363-2	HOUSING SET	X	1				
D10		INC. 14						
002-1F	187363-2	HOUSING SET		1				
D10		INC. 14						
002-1M	187363-2	HOUSING SET		1				
D10		INC. 14						
003	865448-1	BDF453 NAME PLATE		1				
004	266130-9	TAPPING SCREW BIND PT 3X16		9				
005	232182-2	LEAF SPRING		1				
006	419250-0	F/R CHANGE LEVER		1				
007A	650604-4	SWITCH TG563FSB-4		1	*			
007B	650604-4	SWITCH TG563FSB-4		1	*			
007C	650604-4	SWITCH TG563FSB-4		1	*			
007D	650604-4	SWITCH TG563FSB-4		1	*			
007-1A	650604-4	SWITCH TG563FSB-4	O	1	*			
007-1B	650604-4	SWITCH TG563FSB-4	O	1	*			
007-1C	650604-4	SWITCH TG563FSB-4	O	1	*			
007-1D	650604-4	SWITCH TG563FSB-4	O	1	*			
007-2A	632A23-2	SWITCH UNIT	X	1				
007-2B	632A23-2	SWITCH UNIT	X	1				
007-2C	632A23-2	SWITCH UNIT	X	1				
007-2D	632A23-2	SWITCH UNIT	X	1				
007-2F	632A23-2	SWITCH UNIT		1				
007-2M	632A23-2	SWITCH UNIT		1				
008A	643812-4	TERMINAL		1	*			
008B	643812-4	TERMINAL		1	*			
008C	643812-4	TERMINAL		1	*			
008-1A	643844-1	TERMINAL	<	1	*			
008-1B	643844-1	TERMINAL	<	1	*			
008-1C	643844-1	TERMINAL	<	1	*			
008-1D	643844-1	TERMINAL		1	*			
008-2A	643852-2	TERMINAL	X	1				

# Model No. BDF453 CORDLESS DRIVER DRILL 13MM

Item	Parts No.	Description	I/C	Qty	N/O	Opt. 1	Opt. 2	Note
008-2B	643852-2	TERMINAL	X	1				
008-2C	643852-2	TERMINAL	X	1				
008-2D	643852-2	TERMINAL	X	1				
008-2F	643852-2	TERMINAL		1				
008-2M	643852-2	TERMINAL		1				
009	251468-5	- FLAT HEAD SCREW M6X22		1				
010A	766004-9	KEYLESS DRILL CHUCK 13		1	*			
010B	766004-9	KEYLESS DRILL CHUCK 13		1	*			
010C	766004-9	KEYLESS DRILL CHUCK 13		1	*			
010D	766004-9	KEYLESS DRILL CHUCK 13		1	*			
010-1A	766004-9	KEYLESS DRILL CHUCK 13	O	1				
010-1B	766004-9	KEYLESS DRILL CHUCK 13	O	1				
010-1C	766004-9	KEYLESS DRILL CHUCK 13	O	1				
010-1D	766004-9	KEYLESS DRILL CHUCK 13	O	1				
010-1F	766004-9	KEYLESS DRILL CHUCK 13		1				
010-1M	766004-9	KEYLESS DRILL CHUCK 13		1				
011	125483-4	GEAR ASS'Y		1				
012A	629834-8	DC MOTOR		1	*			
012B	629834-8	DC MOTOR		1	*			
012C	629834-8	DC MOTOR		1	*			
012D	629834-8	DC MOTOR		1	*			
012-1A	629937-8	DC MOTOR	O	1				
012-1B	629937-8	DC MOTOR	O	1				
012-1C	629937-8	DC MOTOR	O	1				
012-1D	629937-8	DC MOTOR	O	1				
012-1F	629937-8	DC MOTOR		1				
012-1M	629937-8	DC MOTOR		1				
013	911108-4	PAN HEAD SCREW M4X8		2				
014A	188542-5	HOUSING SET		1	*			
D10		INC. 2			*			
014B	188542-5	HOUSING SET		1	*			
D10		INC. 2			*			
014C	188543-3	HOUSING SET		1	*			
D10		INC. 2			*			
014D	188542-5	HOUSING SET		1	*			
D10		INC. 2			*			
014-1A	187363-2	HOUSING SET	X	1				
D10		INC. 2						
014-1B	187363-2	HOUSING SET	X	1				
D10		INC. 2						
014-1C	187365-8	HOUSING SET	X	1				
D10		INC. 2						
014-1D	187363-2	HOUSING SET	X	1				
D10		INC. 2						
014-1F	187363-2	HOUSING SET		1				
D10		INC. 2						
014-1M	187363-2	HOUSING SET		1				
D10		INC. 2						

Item	Parts No.	Description	I/C	Qty	N/O	Opt. 1	Opt. 2	Note
A01A	784636-0	+ - BIT 2-65		1				
A01B	784636-0	+ - BIT 2-65		1				
A01D	784636-0	+ - BIT 2-65		1				
A01F	784636-0	+ - BIT 2-65		1				
A01M	784636-0	+ - BIT 2-65		1				
A02A	***DC18RA	DC18RA FAST CHARGER		1	*			
A02B	***DC18SD	DC18SD BATTERY CHARGER		1				
A02D	***DC18SD	DC18SD BATTERY CHARGER		1				
A02F	***DC18SD	DC18SD BATTERY CHARGER		1				
A02-1A	***DC18RC	DC18RC FAST CHARGER	<	1				
A02-1M	***DC18SD	DC18SD BATTERY CHARGER		1				
A03A	194204-5	BATTERY BL1830 SET		2	*			
A03B	194513-2	BATTERY BL1815 SET		2				
A03D	194204-5	BATTERY BL1830 SET		2	*			
A03F	196235-0	BATTERY BL1815N SET		2	*			
A03M	194513-2	BATTERY BL1815 SET		2				
A03-1A	194204-5	BATTERY BL1830 SET	O	2	*			
A03-1D	194204-5	BATTERY BL1830 SET	O	2	*			
A03-1F	196235-0	BATTERY BL1815N SET	O	2				
A03-2A	194204-5	BATTERY BL1830 SET	O	2	*			
A03-2D	197600-6	BATTERY BL1830B SET	<	2				
A03-3A	194204-5	BATTERY BL1830 SET	O	2	*			
A03-4A	197600-6	BATTERY BL1830B SET	<	2				
A04A	450128-8	BATTERY COVER		1				
A04B	450128-8	BATTERY COVER		1				
A04D	450128-8	BATTERY COVER		1				
A04F	450128-8	BATTERY COVER		1				
A04M	450128-8	BATTERY COVER		1				
A05A	824862-0	PLASTIC CARRYING CASE		1	*			
C10	163455-1	LATCH		2	*			
C20	419360-3	HANDLE		1	*			
A05B	158777-2	PLASTIC CARRYING CASE		1				
C10	163455-1	LATCH		2				
C20	419360-3	HANDLE		1				
A05D	158777-2	PLASTIC CARRYING CASE		1				
C10	163455-1	LATCH		2				
C20	419360-3	HANDLE		1				
A05F	158777-2	PLASTIC CARRYING CASE		1				
C10	163455-1	LATCH		2				
C20	419360-3	HANDLE		1				
A05-1A	158777-2	PLASTIC CARRYING CASE	<	1				
C10	163455-1	LATCH		2				
C20	419360-3	HANDLE		1				
A05-1M	821550-0	CONNECTOR PLASTIC CASE (TYPE2)		1				
C10	453974-8	LATCH		4				
A06M	837863-9	INNER TRAY		1				
A07M	802N08-2	BDF453SHJ INDICATION LABEL		1				
A08M	802N09-0	BDF453SHJ PLASTIC CASE LABEL		2				

Item	Parts No.	Description	I/C	Qty	N/O	Opt. 1	Opt. 2	Note
E02A	688165-4	LINE FILTER		1				
E02B	688165-4	LINE FILTER		1				
E02C	688165-4	LINE FILTER		1				
E02D	688165-4	LINE FILTER		1				
E02F	688165-4	LINE FILTER		1				
E02M	688165-4	LINE FILTER		1				