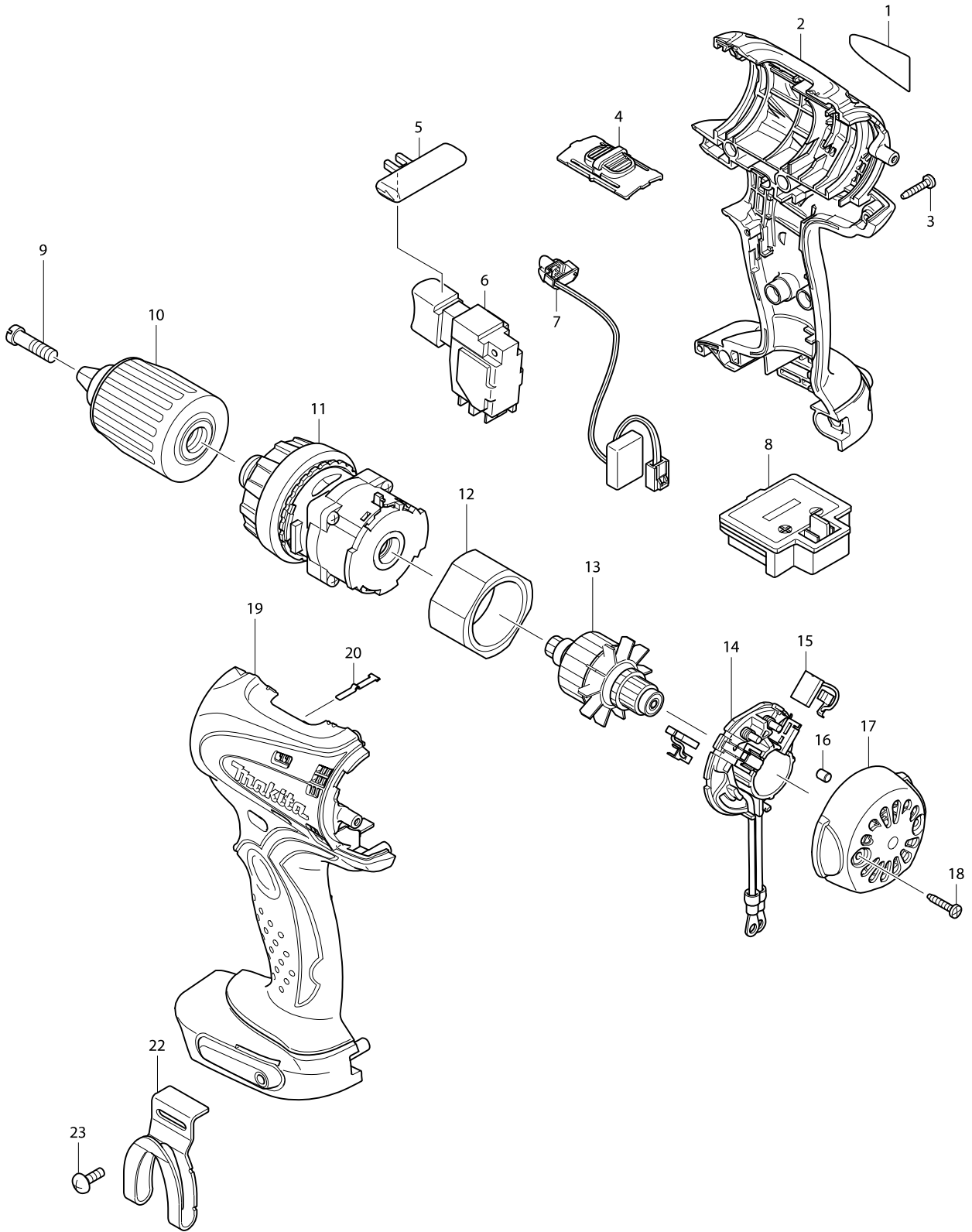


# Model No. BDF450 CORDLESS DRIVER DRILL 13MM



# Model No. BDF450 CORDLESS DRIVER DRILL 13MM

Item	Parts No.	Description	I/C	Qty	N/O	Opt. 1	Opt. 2	Note
001	862095-9	BDF450 NAME PLATE		1				
D10		INC. 19						
002A	188064-5	HOUSING SET		1				
002B	188064-5	HOUSING SET		1				
002C	188258-2	HOUSING SET		1				
002D	188064-5	HOUSING SET		1				
003	266130-9	TAPPING SCREW BIND PT 3X16		9				
004	125310-5	SPEED CHANGE LEVER ASS'Y		1				
005	419041-9	F/R CHANGE LEVER		1				
006	650569-0	SWITCH TG553FSB-3		1				
007	631693-8	LIGHT CIRCUIT		1				
008	643812-4	TERMINAL		1	*			
008-1	643843-3	TERMINAL	<	1				
009	251464-3	- FLAT HEAD SCREW M6X22		1				
010	763175-3	KEYLESS DRILL CHUCK 13		1	*			
010-1	766027-7	KEYLESS DRILL CHUCK 13	O	1				
011	125182-8	GEAR ASS'Y		1				
012	638423-8	YOKE UNIT		1				
013	619170-0	ARMATURE		1				
014	638424-6	BRUSH HOLDER COMPLETE		1	*			
C10	231696-8	TORSION SPRING R		1	*			
C20	231697-6	TORSION SPRING L		1	*			
014-1	638857-5	BRUSH HOLDER COMPLETE	<	1				
C10	231696-8	TORSION SPRING R		1				
C20	231697-6	TORSION SPRING L		1				
C30	688161-2	LINE FILTER		1				
015	194159-4	CARBON BRUSH CB-436		1	*			
015-1	194427-5	CARBON BRUSH CB-440	<	1	*			
015-2	194427-5	CARBON BRUSH CB-440	X	1				
016	263032-0	RUBBER PIN 4		2				
017A	418981-8	REAR COVER		1				
017B	418981-8	REAR COVER		1				
017C	418982-6	REAR COVER		1				
017D	418981-8	REAR COVER		1				
018	266130-9	TAPPING SCREW BIND PT 3X16		2				
D10		INC. 2						
019A	188064-5	HOUSING SET		1				
019B	188064-5	HOUSING SET		1				
019C	188258-2	HOUSING SET		1				
019D	188064-5	HOUSING SET		1				
020	232182-2	LEAF SPRING		1				
022	324553-8	HOOK		1	*			
022-1	324705-1	HOOK	O	1	*			
022-2	346317-0	HOOK	O	1				
023	251314-2	+ SCREW M4X12		1				
A01A	***DC18SC	DC18SC CHARGER		1				
A01B	***DC18RA	DC18RA FAST CHARGER		1	*			
A01C	***DC18RA	DC18RA FAST CHARGER		1	*			

# Model No. BDF450 CORDLESS DRIVER DRILL 13MM

Item	Parts No.	Description	I/C	Qty	N/O	Opt. 1	Opt. 2	Note
A01-1B	***DC18RC	DC18RC FAST CHARGER	<	1				
A01-1C	***DC18RC	DC18RC FAST CHARGER	<	1				
A02A	194204-5	BATTERY BL1830 SET		2	*			
A02B	194204-5	BATTERY BL1830 SET		2	*			
A02C	194204-5	BATTERY BL1830 SET		2	*			
A02-1A	194204-5	BATTERY BL1830 SET	O	2	*			
A02-1B	194204-5	BATTERY BL1830 SET	O	2	*			
A02-1C	194204-5	BATTERY BL1830 SET	O	2	*			
A02-2A	194204-5	BATTERY BL1830 SET	O	2	*			
A02-2B	194204-5	BATTERY BL1830 SET	O	2	*			
A02-2C	194204-5	BATTERY BL1830 SET	O	2	*			
A02-3A	194204-5	BATTERY BL1830 SET	O	2	*			
A02-3B	194204-5	BATTERY BL1830 SET	O	2	*			
A02-3C	194204-5	BATTERY BL1830 SET	O	2	*			
A02-4A	194204-5	BATTERY BL1830 SET	O	2	*			
A02-4B	194204-5	BATTERY BL1830 SET	O	2	*			
A02-4C	194204-5	BATTERY BL1830 SET	O	2	*			
A02-5A	194204-5	BATTERY BL1830 SET	O	2	*			
A02-5B	194204-5	BATTERY BL1830 SET	O	2	*			
A02-5C	194204-5	BATTERY BL1830 SET	O	2	*			
A02-6A	194204-5	BATTERY BL1830 SET	O	2	*			
A02-6B	194204-5	BATTERY BL1830 SET	O	2	*			
A02-6C	194204-5	BATTERY BL1830 SET	O	2	*			
A02-7A	197600-6	BATTERY BL1830B SET	<	2				
A02-7B	197600-6	BATTERY BL1830B SET	<	2				
A02-7C	197600-6	BATTERY BL1830B SET	<	2				
A03	784203-1	PHILLIPS BIT 2-65		1	*			
A03-1	784203-1	PHILLIPS BIT 2-65	O	1				
A04A	824753-5	PLASTIC CARRYING CASE		1	*			
C10	324207-7	SHAFT		1	*			
C20	413098-2	PLATE		4	*			
C30	417724-5	LATCH		2	*			
C40	419215-2	PLASTIC CASE LID		1	*			
C50	419216-0	HANDLE		1	*			
A04B	824753-5	PLASTIC CARRYING CASE		1	*			
C10	324207-7	SHAFT		1	*			
C20	413098-2	PLATE		4	*			
C30	417724-5	LATCH		2	*			
C40	419215-2	PLASTIC CASE LID		1	*			
C50	419216-0	HANDLE		1	*			
A04C	824753-5	PLASTIC CARRYING CASE		1	*			
C10	324207-7	SHAFT		1	*			
C20	413098-2	PLATE		4	*			
C30	417724-5	LATCH		2	*			
C40	419215-2	PLASTIC CASE LID		1	*			
C50	419216-0	HANDLE		1	*			
A04-1A	824753-5	PLASTIC CARRYING CASE	O	1	*			
C10	324207-7	SHAFT		1	*			

Item	Parts No.	Description	I/C	Qty	N/O	Opt. 1	Opt. 2	Note
C20	413098-2	PLATE		4	*			
C30	417724-5	LATCH		2	*			
C40	419215-2	PLASTIC CASE LID		1	*			
C50	419216-0	HANDLE		1	*			
A04-1B	824753-5	PLASTIC CARRYING CASE	O	1	*			
C10	324207-7	SHAFT		1	*			
C20	413098-2	PLATE		4	*			
C30	417724-5	LATCH		2	*			
C40	419215-2	PLASTIC CASE LID		1	*			
C50	419216-0	HANDLE		1	*			
A04-1C	824753-5	PLASTIC CARRYING CASE	O	1	*			
C10	324207-7	SHAFT		1	*			
C20	413098-2	PLATE		4	*			
C30	417724-5	LATCH		2	*			
C40	419215-2	PLASTIC CASE LID		1	*			
C50	419216-0	HANDLE		1	*			
A04-2A	158210-4	PLASTIC CARRYING CASE COMPLETE	<	1	*			
C10	324207-7	SHAFT		1	*			
C20	413098-2	PLATE		4	*			
C30	417724-5	LATCH		2	*			
C40	419215-2	PLASTIC CASE LID		1	*			
C50	419216-0	HANDLE		1	*			
A04-2B	158210-4	PLASTIC CARRYING CASE COMPLETE	<	1	*			
C10	324207-7	SHAFT		1	*			
C20	413098-2	PLATE		4	*			
C30	417724-5	LATCH		2	*			
C40	419215-2	PLASTIC CASE LID		1	*			
C50	419216-0	HANDLE		1	*			
A04-2C	158210-4	PLASTIC CARRYING CASE COMPLETE	<	1	*			
C10	324207-7	SHAFT		1	*			
C20	413098-2	PLATE		4	*			
C30	417724-5	LATCH		2	*			
C40	419215-2	PLASTIC CASE LID		1	*			
C50	419216-0	HANDLE		1	*			
A04-3A	824753-5	PLASTIC CARRYING CASE	O	1	*			
C10	324207-7	SHAFT		1	*			
C20	413098-2	PLATE		4	*			
C30	417724-5	LATCH		2	*			
C40	419215-2	PLASTIC CASE LID		1	*			
C50	419216-0	HANDLE		1	*			
A04-3B	824753-5	PLASTIC CARRYING CASE	O	1	*			
C10	324207-7	SHAFT		1	*			
C20	413098-2	PLATE		4	*			
C30	417724-5	LATCH		2	*			
C40	419215-2	PLASTIC CASE LID		1	*			
C50	419216-0	HANDLE		1	*			
A04-3C	824753-5	PLASTIC CARRYING CASE	O	1	*			
C10	324207-7	SHAFT		1	*			

