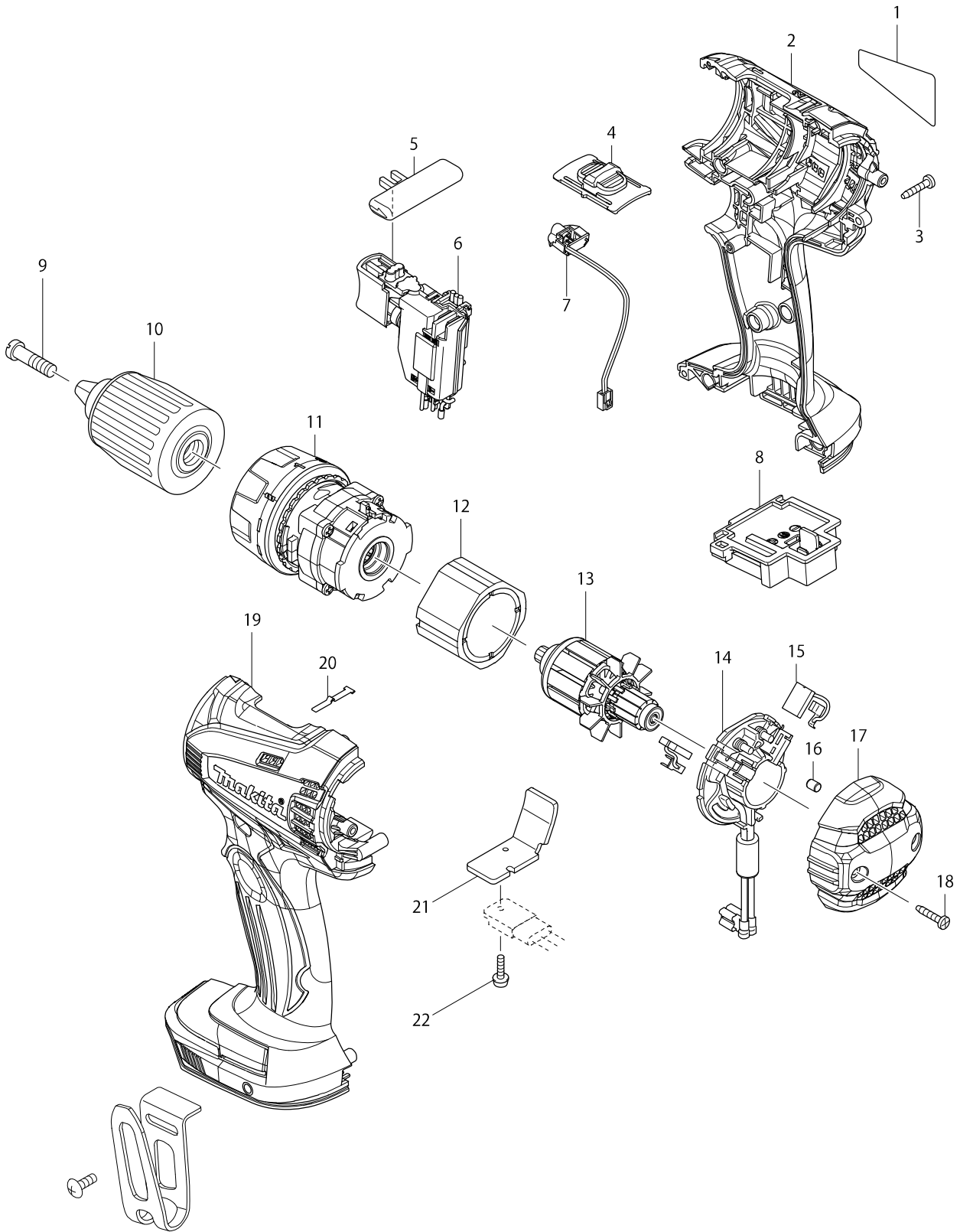


Model No. BDF446 CORDLESS DRIVER DRILL



Model No. BDF446 CORDLESS DRIVER DRILL

Item	Parts No.	Description	I/C	Qty	N/O	Opt. 1	Opt. 2	Note
001	869792-8	BDF446 NAME PLATE		1				
002	187071-5	HOUSING SET		1				
D10		INC. 19						
003	266429-2	TAPPING SCREW 3X16		9				
004A	125832-5	SPEED CHANGE LEVER ASSEMBLY		1	*			
C10	233438-6	COMPRESSION SPRING 4		2	*			
004B	125832-5	SPEED CHANGE LEVER ASSEMBLY		1	*			
C10	233438-6	COMPRESSION SPRING 4		2	*			
004C	125832-5	SPEED CHANGE LEVER ASSEMBLY		1	*			
C10	233438-6	COMPRESSION SPRING 4		2	*			
004-1A	126289-3	SPEED CHANGE LEVER ASSEMBLY	<	1				
C10	233438-6	COMPRESSION SPRING 4		2				
004-1B	126289-3	SPEED CHANGE LEVER ASSEMBLY	<	1				
C10	233438-6	COMPRESSION SPRING 4		2				
004-1C	126289-3	SPEED CHANGE LEVER ASSEMBLY	<	1				
C10	233438-6	COMPRESSION SPRING 4		2				
004-1D	126289-3	SPEED CHANGE LEVER ASSEMBLY		1				
C10	233438-6	COMPRESSION SPRING 4		2				
004-1E	126289-3	SPEED CHANGE LEVER ASSEMBLY		1				
C10	233438-6	COMPRESSION SPRING 4		2				
005	419250-0	F/R CHANGE LEVER		1				
006	650637-9	SWITCH		1	*			
006-1	650731-7	SWITCH C3HZ-1A-TLMS	<	1	*			
006-2	650747-2	SWITCH C3HA-Z1A-TLMS	<	1				
007	620012-3	LED CIRCUIT		1	*			
007-1	620388-8	LED CIRCUIT	O	1				
008	643866-1	TERMINAL		1				
009	251468-5	- FLAT HEAD SCREW M6X22		1				
010	763175-3	KEYLESS DRILL CHUCK 13		1	*			
010-1	766027-7	KEYLESS DRILL CHUCK 13	<	1				
011	125831-7	GEAR ASSEMBLY		1	*			
011-1	126459-4	GEAR ASSEMBLY	<	1				
012	638425-4	YOKE UNIT		1	*			
012-1	632J71-5	YOKE UNIT	<	1				
013	619287-9	ARMATURE		1				
014	638845-2	BRUSH HOLDER COMPLETE		1				
C10	688161-2	LINE FILTER		1				
015	194427-5	CARBON BRUSH CB-440		1				
016	263032-0	RUBBER PIN 4		2				
017	452205-2	REAR COVER		1				
018	266429-2	TAPPING SCREW 3X16		2				
019	187071-5	HOUSING SET		1				
D10		INC. 2						
020	232182-2	LEAF SPRING		1				
021	689170-4	HEAT SINK		1				
022	911013-5	PAN HEAD SCREW M3X10		1				
A01	251314-2	+ SCREW M4X12		1				
A02	346317-0	HOOK		1				

Model No. BDF446 CORDLESS DRIVER DRILL

Item	Parts No.	Description	I/C	Qty	N/O	Opt. 1	Opt. 2	Note
A03	784637-8	+ - BIT 2-45		1				
A04B	824754-3	PLASTIC CASE		1	*			
C10	419216-0	HANDLE		1	*			
C20	417724-5	LATCH		2	*			
C30	419268-1	PLASTIC CASE LID		1	*			
C40	419269-9	PLATE		5	*			
C50	324667-3	SHAFT		1	*			
A04C	140757-2	PLASTIC CARRYING CASE COMPLETE		1	*			
C10	162302-3	LATCH		2	*			
C20	324207-7	SHAFT		1	*			
C30	451749-9	HANDLE		1	*			
A04D	821550-0	CONNECTOR PLASTIC CASE (TYPE2)		1	*			
C10	453974-8	LATCH		4	*			
A04E	821550-0	CONNECTOR PLASTIC CASE (TYPE2)		1	*			
C10	453974-8	LATCH		4	*			
A04-1B	140354-4	PLASTIC CASE COMPLETE	<	1				
C10	419216-0	HANDLE		1				
C20	417724-5	LATCH		2				
C30	419268-1	PLASTIC CASE LID		1				
C40	419269-9	PLATE		5				
C50	324667-3	SHAFT		1				
A04-1C	141856-3	PLASTIC CARRYING CASE COMPLETE	<	1				
C10	162302-3	LATCH		2				
C20	324207-7	SHAFT		1				
C30	451749-9	HANDLE		1				
A04-1D	821550-0	CONNECTOR PLASTIC CASE (TYPE2)	<	1				
C10	453974-8	LATCH		4				
A04-1E	821550-0	CONNECTOR PLASTIC CASE (TYPE2)	<	1				
C10	453974-8	LATCH		4				
A05B	450128-8	BATTERY COVER		1				
A05C	450128-8	BATTERY COVER		1				
A05D	450128-8	BATTERY COVER		1				
A06B	***DC18RA	DC18RA FAST CHARGER		1	*			
A06C	***DC18SD	DC18SD BATTERY CHARGER		1				
A06-1B	***DC18RC	DC18RC FAST CHARGER	<	1				
A06-1D	***DC18RC	DC18RC FAST CHARGER		1				
A07B	194065-3	BATTERY BL1430 SET		2	*			
A07C	194065-3	BATTERY BL1430 SET		2	*			
A07D	194065-3	BATTERY BL1430 SET		2	*			
A07-1B	194065-3	BATTERY BL1430 SET	O	2	*			
A07-1C	194065-3	BATTERY BL1430 SET	O	2	*			
A07-1D	194065-3	BATTERY BL1430 SET	O	2	*			
A07-2B	197616-1	BATTERY BL1430B SET	<	2				
A07-2C	197616-1	BATTERY BL1430B SET	<	2				
A07-2D	197616-1	BATTERY BL1430B SET	<	2				
A08B	893711-2	BDF446RFE PLASTIC CASE LABEL		1				
A08C	893371-0	BDF446SFE PLASTIC CASE LABEL		2				
A08D	837679-2	INNER TRAY		1	*			

