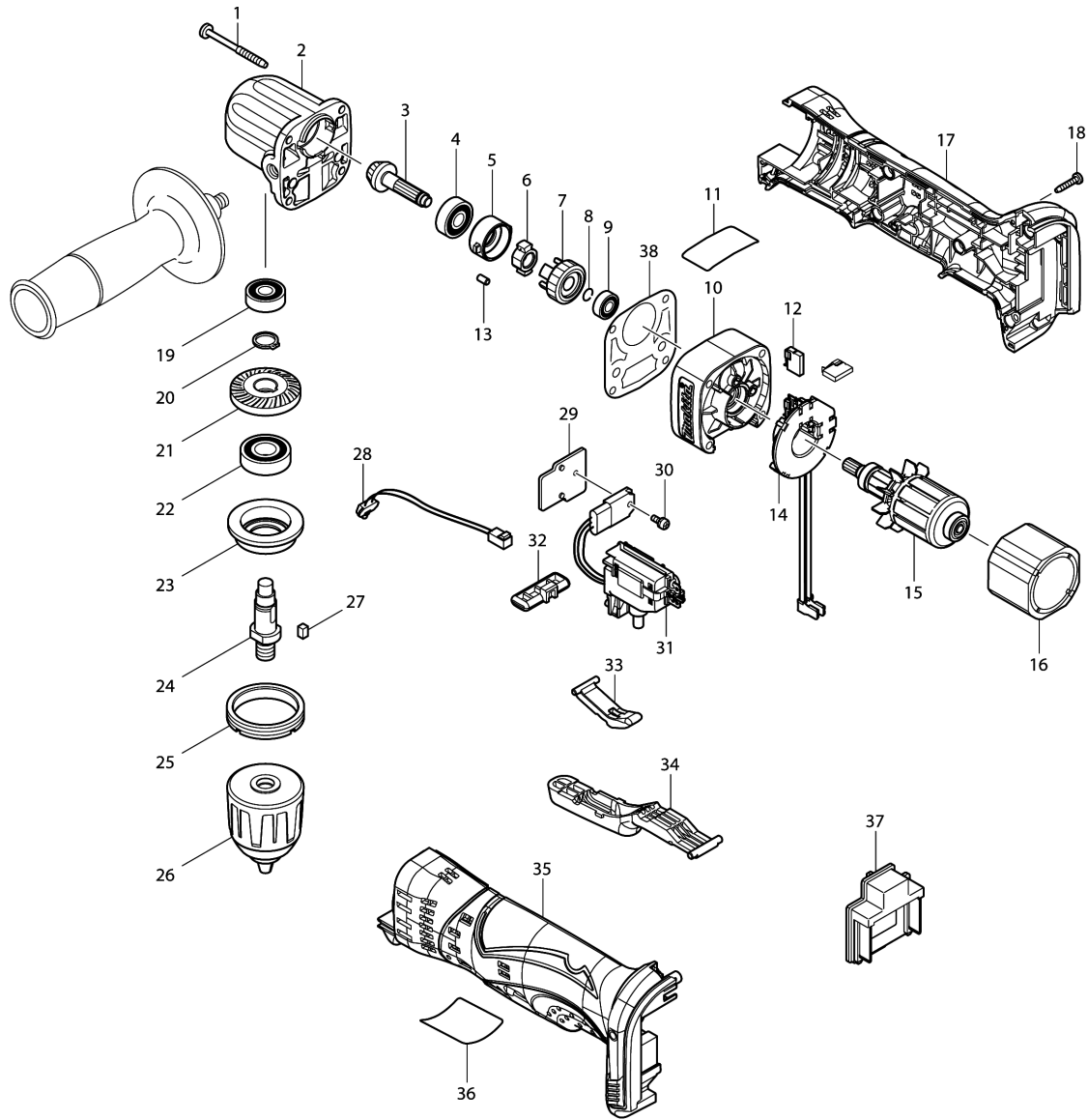


# Model No.BDA351 CORDLESS ANGLE DRILL 10MM





## Model No.BDA351 CORDLESS ANGLE DRILL 10MM

| Item  | Parts No. | Description                   | I/C | Qty | New/Old | Opt. 1 | Opt. 2 | Note |
|-------|-----------|-------------------------------|-----|-----|---------|--------|--------|------|
| 001   | 266069-6  | TAPPING SCREW 4X45            |     | 4   |         |        |        |      |
| 002   | 317634-5  | GEAR HOUSING                  |     | 1   |         |        |        |      |
| 003   | 227538-2  | SPIRAL BEVEL GEAR 9           |     | 1   |         |        |        |      |
| 004   | 210029-0  | BALL BEARING 608ZZ            |     | 1   |         |        |        |      |
| 005   | 324930-4  | LOCK RING                     |     | 1   |         |        |        |      |
| 006   | 331647-2  | LOCK CAM                      |     | 1   |         |        |        |      |
| 007   | 227221-1  | SPUR GEAR 29                  |     | 1   |         |        |        |      |
| 008   | 231956-8  | RING SPRING 6                 |     | 1   |         |        |        |      |
| 009   | 210033-9  | BALL BEARING 696ZZ            |     | 1   |         |        |        |      |
| 010   | 450607-6  | GEAR HOUSING COVER            |     | 1   |         |        |        |      |
| 012-1 | 194427-5  | CARBON BRUSH CB-440           |     | 1   |         |        |        |      |
| 013   | 268100-4  | PIN 3.5                       |     | 2   |         |        |        |      |
| 014-2 | 539202-6  | BRUSH HOLDER ASSY             |     | 1   |         |        |        |      |
| D10   |           | INC. 12                       |     |     |         |        |        |      |
| 015   | 619234-0  | ARMATURE                      |     | 1   |         |        |        |      |
| 016   | 638613-3  | YOKE UNIT                     |     | 1   |         |        |        |      |
| 017-1 | 187130-5  | HOUSING SET                   |     | 1   |         |        |        |      |
| D10   |           | INC. 35                       |     |     |         |        |        |      |
| 018   | 266130-9  | TAPPING SCREW BIND PT<br>3X16 |     | 5   |         |        |        |      |
| 019   | 210029-0  | BALL BEARING 608ZZ            |     | 1   |         |        |        |      |
| 020   | 961052-5  | RETAINING RING S-12           |     | 1   |         |        |        |      |
| 021   | 227537-4  | SPIRAL BEVEL GEAR 26          |     | 1   |         |        |        |      |
| 022   | 211131-2  | BALL BEARING 6001DDW          |     | 1   |         |        |        |      |
| 023   | 317633-7  | BEARING BOX                   |     | 1   |         |        |        |      |
| 024   | 324329-3  | SPINDLE                       |     | 1   |         |        |        |      |
| 025   | 285842-5  | BEARING RETAINER 36-43        |     | 1   |         |        |        |      |
| 026   | 766005-7  | KEYLESS DRILL CHUCK 10        |     | 1   |         |        |        |      |
| 027   | 254201-4  | KEY 4                         |     | 1   |         |        |        |      |
| 028   | 631814-2  | LED CIRCUIT                   |     | 1   |         |        |        |      |
| 029   | 689098-6  | HEAT SINK                     |     | 1   |         |        |        |      |
| 030   | 911006-2  | PAN HEAD SCREW M3X8           |     | 1   |         |        |        |      |
| 031-1 | 638880-0  | SWITCH UNIT                   |     | 1   | *       |        |        |      |
| 031-2 | 632B90-3  | SWITCH UNIT                   | <   | 1   |         |        |        |      |
| 032   | 450610-7  | F/R CHANGE LEVER              |     | 1   |         |        |        |      |
| 033   | 450609-2  | LINK                          |     | 1   |         |        |        |      |
| 034   | 450608-4  | SWITCH LAVER                  |     | 1   |         |        |        |      |
| 035-1 | 187130-5  | HOUSING SET                   |     | 1   |         |        |        |      |
| D10   |           | INC. 17                       |     |     |         |        |        |      |
| 036   | 865498-6  | BDA351 NAME PLATE             |     | 1   |         |        |        |      |
| 037-1 | 643859-8  | TERMINAL                      |     | 1   | *       |        |        |      |
| 037-2 | 644808-8  | TERMINAL                      | O   | 1   |         |        |        |      |
| 038   | 418036-9  | GASKET                        |     | 1   |         |        |        |      |

Please order the parts with part number.

Print Date 19/6/2019

## Model No.BDA351 CORDLESS ANGLE DRILL 10MM

| Item   | Parts No. | Description                    | I/C | Qty | New/Old | Opt. 1 | Opt. 2 | Note |
|--------|-----------|--------------------------------|-----|-----|---------|--------|--------|------|
| A01    | 153489-2  | GRIP 36 COMPLETE               |     | 1   |         |        |        |      |
| A02-1A | ***DC18RC | DC18RC FAST CHARGER            |     | 1   |         |        |        |      |
| A03-2A | 194204-5  | BATTERY BL1830 SET             |     | 2   | *       |        |        |      |
| A03-3A | 194204-5  | BATTERY BL1830 SET             | O   | 2   | *       |        |        |      |
| A03-4A | 197600-6  | BATTERY BL1830B SET            | <   | 2   | *       |        |        |      |
| A03-5A | 197600-6  | BATTERY BL1830B SET            | O   | 2   |         |        |        |      |
| A04A   | 450128-8  | BATTERY COVER                  |     | 1   |         |        |        |      |
| A05    | 821550-0  | CONNECTOR PLASTIC CASE (TYPE2) |     | 1   | *       |        |        |      |
| C10    | 453974-8  | LATCH                          |     | 4   | *       |        |        |      |
| A05-1  | 821550-0  | CONNECTOR PLASTIC CASE (TYPE2) | <   | 1   |         |        |        |      |
| C10    | 453974-8  | LATCH                          |     | 4   |         |        |        |      |
| A06    | 837629-7  | INNER TRAY                     |     | 1   | *       |        |        |      |
| A06-1  | 838040-6  | INNER TRAY                     | <   | 1   |         |        |        |      |
| A07A   | 800V38-5  | BDA351RFJ INDICATION LABEL     |     | 1   |         |        |        |      |
| A07B   | 800V40-8  | BDA351ZJ INDICATION LABEL      |     | 1   |         |        |        |      |
| A08A   | 800V39-3  | BDA351RFJ PLASTIC CASE LABEL   |     | 2   |         |        |        |      |
| A08B   | 800V41-6  | BDA351ZJ PLASTIC CASE LABEL    |     | 2   |         |        |        |      |

Please order the parts with part number.

Print Date 19/6/2019