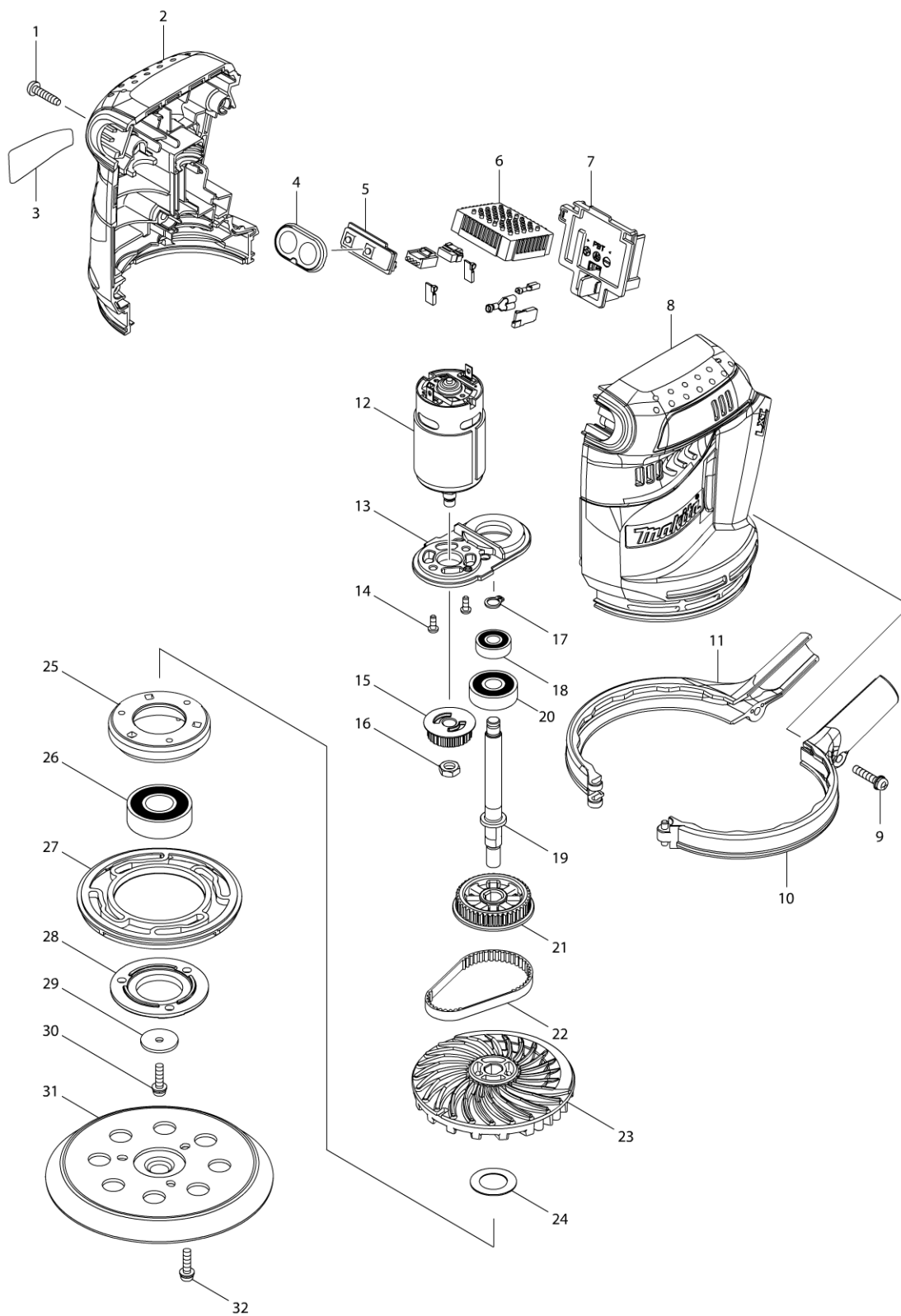


Model No. BBO180 125MM CRDLS RNDM ORBIT SANDER



Model No. BBO180 125MM CRDLS RNDM ORBIT SANDER

Item	Parts No.	Description	I/C	Qty	N/O	Opt. 1	Opt. 2	Note
001	265995-6	TAPPING SCREW 4X18		5				
002	187423-0	HOUSING SET		1				
C10	263005-3	RUBBER PIN 6		2				
D10		INC. 8						
003	897244-9	BBO180 NAME PLATE		1				
004	141419-5	SWITCH PLATE COMPLETE		1				
005	620115-3	SWITCH UNIT		1				
006	638982-2	CONTROLLER UNIT		1				
C10	688172-7	LINE FILTER		1				
007	643859-8	TERMINAL		1	*			
007-1	644808-8	TERMINAL	○	1				
008	187423-0	HOUSING SET		1				
C10	263005-3	RUBBER PIN 6		2				
D10		INC. 2						
009	911138-5	PAN HEAD SCREW M4X20		1				
010	187360-8	SKIRT SET		1				
D10		INC. 11						
011	187360-8	SKIRT SET		1				
D10		INC. 10						
012	629952-2	DC MOTOR		1				
013	453632-6	MOTOR BRACKET		1				
014	265199-0	+ PAN HEAD SCREW M3X8		2				
015	222175-7	PULLEY 7.5-24.1		1				
016	931303-0	HEX. NUT M6		1				
017	961003-8	RETAINING RING S-7		1				
018	210062-2	BALL BEARING 607ZZ		1				
019	326168-7	SPINDLE		1				
020	211092-6	BALL BEARING 629DDW		1				
021	222176-5	PULLEY 7.5-40.3		1				
022	225095-4	SYNCHRO BELT 6-174		1				
023	240136-5	FAN 88		1				
024	267164-5	FLAT WASHER 15		1				
025	318304-9	BEARING BOX		1				
026	211228-7	BALL BEARING 6202DDW		1				
027	424131-5	BRAKE RING		1				
028	318303-1	BEARING BOX COVER		1				
029	253739-6	FLAT WASHER 4		1				
030	911128-8	PAN HEAD SCREW M4X16		1				
031	743081-8	PAD 123		1				
032	911128-8	PAN HEAD SCREW M4X16		3				
A01	135246-0	DUST BOX ASSEMBLY		1				
D10		INC. A02-A05						
A02	450770-5	DUST BOX		1				
A03	450769-0	DUST NOZZLE		1				
A04	424144-6	RUBBER SLEEVE		1				
A05	232246-2	LEAF SPRING		2				
A06	194746-9	PAPER DUST BAG SET		1				
A07	794544-7	ABRASIVE DISC 125 #120		1				

Please order the parts with a part number.

Print Date 05/09/2014

Model No. BBO180 125MM CRDLS RNDM ORBIT SANDER

Item	Parts No.	Description	I/C	Qty	N/O	Opt. 1	Opt. 2	Note
A08B	***DC18RC	DC18RC FAST CHARGER		1				
A08C	***DC18RC	DC18RC FAST CHARGER		1				
A09B	194204-5	BATTERY BL1830 SET		2				
A09C	194204-5	BATTERY BL1830 SET		2				
A10B	450128-8	BATTERY COVER		1				
A10C	450128-8	BATTERY COVER		1				
A11B	821533-0	PLASTIC CARRYING CASE		1				
C10	163455-1	LATCH		2				
C20	419360-3	HANDLE		1				
A11C	821550-0	CONNECTOR PLASTIC CASE (TYPE2		1				
C10	453974-8	LATCH		4				
A11D	821550-0	CONNECTOR PLASTIC CASE (TYPE2		1				
C10	453974-8	LATCH		4				
A12B	898890-1	BBO180RFE PLASTIC CASE LABEL		2				
A12C	837627-1	INNER TRAY		1	*			
A12D	837627-1	INNER TRAY		1	*			
A12-1C	837809-5	INNER TRAY	<	1				
A12-1D	837809-5	INNER TRAY	<	1				
A13C	800S65-4	BBO180RFJ INDICATION LABEL		1				
A13D	800S67-0	BBO180ZJ INDICATION LABEL		1				
A14C	800S66-2	BBO180RFJ PLASTIC CASE LABEL		2				
A14D	800S68-8	BBO180ZJ PLASTIC CASE LABEL		2				

Please order the parts with a part number.

Print Date 05/09/2014