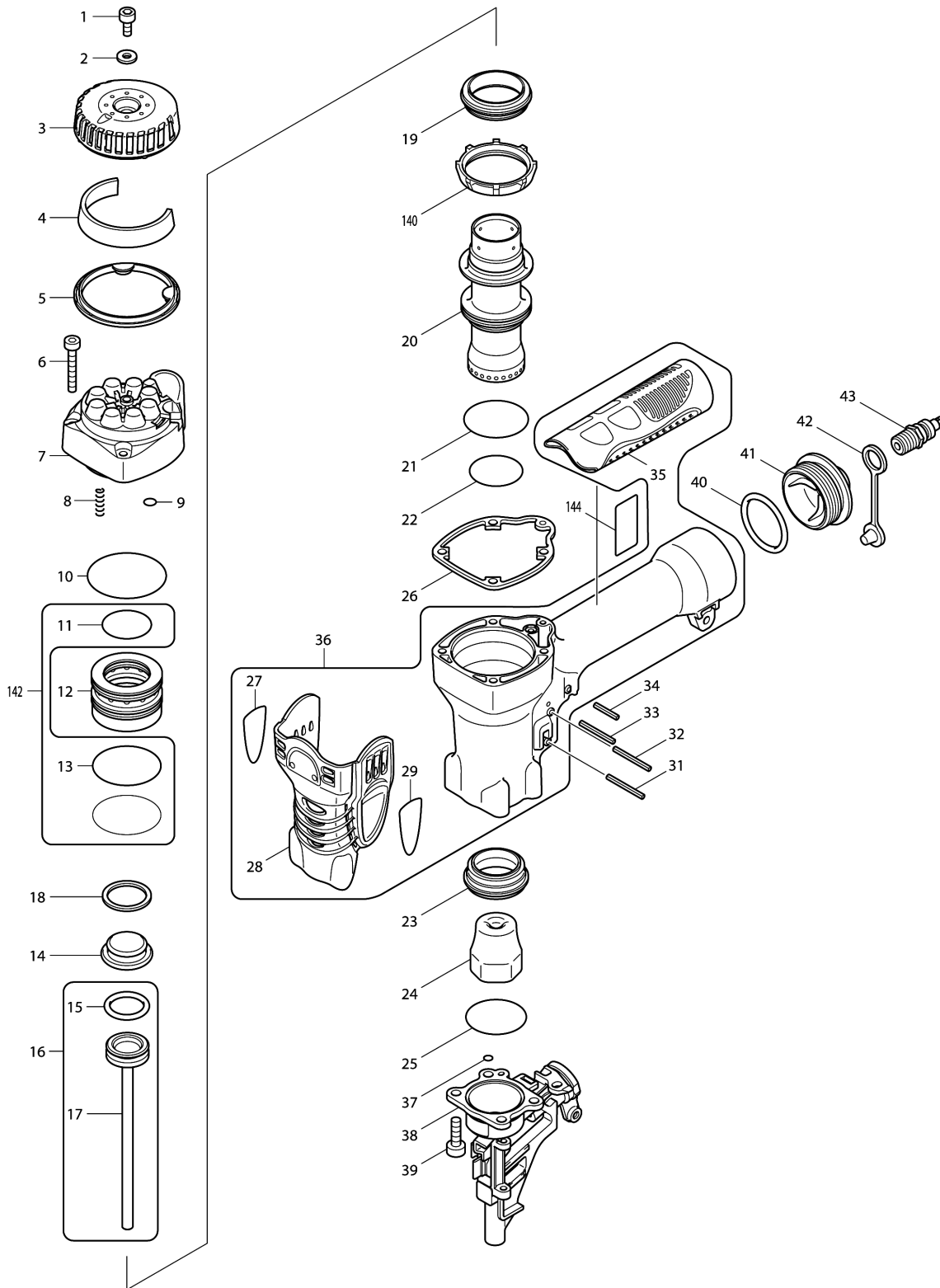
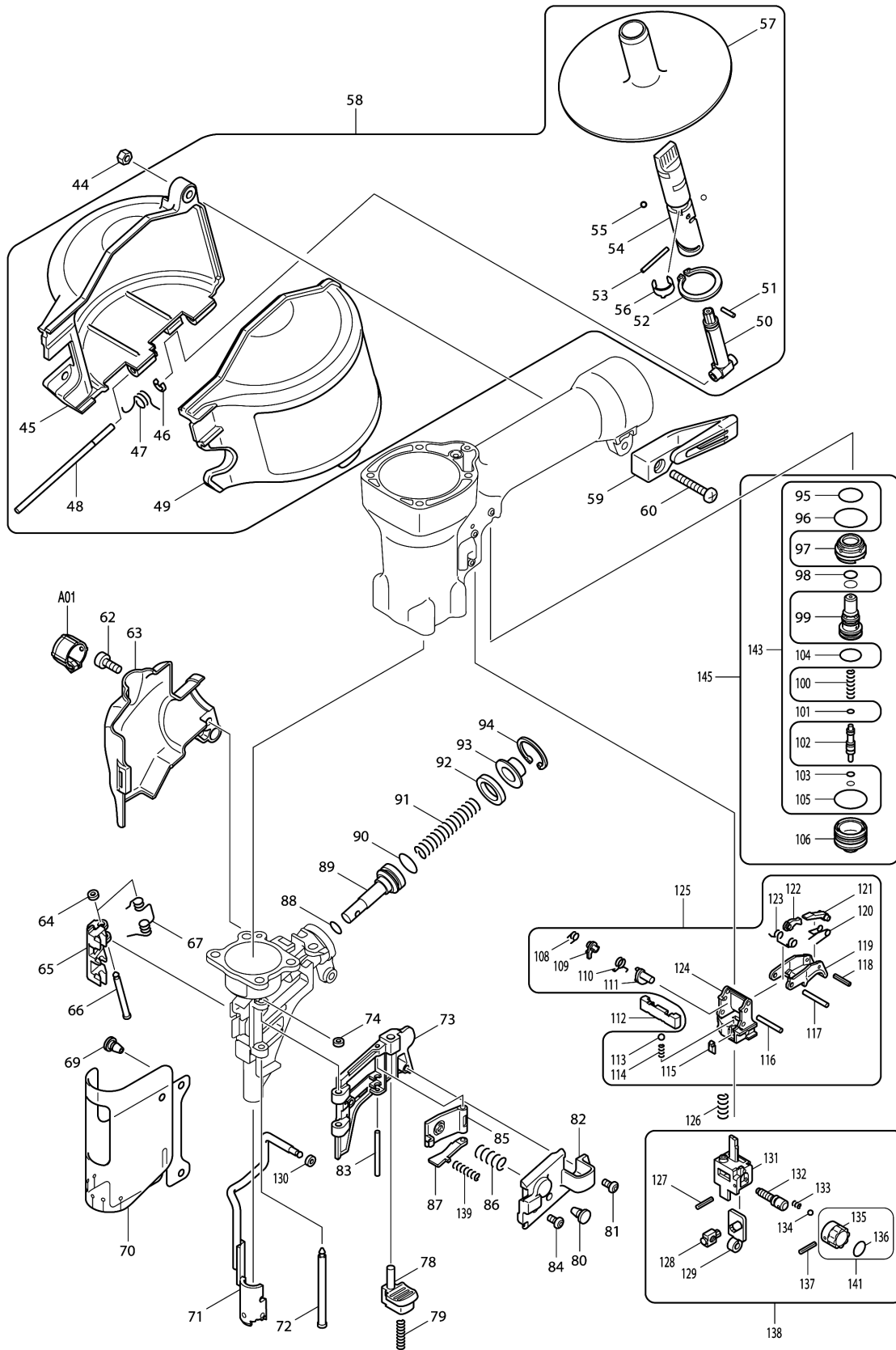


### Model No.AN620H PNEUMATIC COIL NAILER





# Model No.AN620H PNEUMATIC COIL NAILER





## Model No.AN620H PNEUMATIC COIL NAILER

Item	Parts No.	Description	I/C	Qty	New/Old	Opt. 1	Opt. 2	Note
001	922212-4	HEX. SOCKET HEAD BOLT M5X12		1				
002	267343-5	FLAT WASHER 5		1				
003	419734-8	EXHAUST COVER		1	*			
003-1	453875-0	EXHAUST COVER	<	1				
004	413103-5	FILTER		1				
005	419735-6	COVER SEAL		1				
006	922257-2	HEX. SOCKET HEAD BOLT M5X35		4				
007	318109-7	TOP CAP		1				
008	233484-9	COMPRESSION SPRING 4		8				
009	213021-5	O RING 5		1				
010	213604-1	O RING 50		1				
011	213447-1	O-RING 30		1	*			
011-1	213423-5	O RING 30	O	1				
012	419736-4	HEAD VALVE		1				
013	213558-2	O RING 42		2				
014	421983-5	REAR CUSHION		1				
015	213967-5	O-RING 22.5		1				
016	135174-9	DRIVER ASS'Y		1				
D10		INC. 15,17						
017	168454-8	DRIVER		1				
018	267342-7	FLAT WASHER 26		1				
019	421981-9	VALVE SEAT		1				
020	331740-2	CYLINDER		1	*			
020-1	326758-6	CYLINDER	<	1				
021	213509-5	O RING 40		1				
022	213475-6	O RING 34		1				
023	324742-5	CYLINDER GUIDE		1				
024	421982-7	FRONT CUSHION		1				
025	213528-1	O-RING 38		1				
026	162246-7	TOP CAP GASKET		1				
027	819321-7	MAKITA LOGO LABEL R		1				
029	819322-5	MAKITA LOGO LABEL L		1				
031	951078-5	SPRING PIN 3-32		1				
032	951078-5	SPRING PIN 3-32		1				
033	258029-2	SPRING PIN 3-30		1				
034	951069-6	SPRING PIN 3-20		1				
036	188604-9	HOUSING SET		1				
C10	816919-1	INDICATION LABEL		1				
D10		INC. 27,29						
037	213970-6	O-RING 4		1				
038	310251-0	DRIVER GUIDE		1				

Please order the parts with part number.

Print Date 18/6/2019

## Model No.AN620H PNEUMATIC COIL NAILER

Item	Parts No.	Description	I/C	Qty	New/Old	Opt. 1	Opt. 2	Note
039	922332-4	HEX. SOCKET HEAD BOLT M6X20		4				
040	213521-5	O RING 36		1	*			
040-1	213506-1	O RING 36	O	1				
041	318108-9	INLET CAP		1				
042	286280-4	CAP 9		1				
043	243105-5	ONE-TOUCH JOINT H22PM		1				
044	264008-0	HEX. ROCK NUT M5-8		1				
045	419737-2	MAGAZINE		1	*			
045-1	453103-3	MAGAZINE	<	1	*			
045-2	457138-6	MAGAZINE	<	1				
046	259042-3	STOP RING E-3		1				
047	233504-9	TORSION SPRING 8		1				
048	256773-5	PIN 4		1				
049	158918-0	MAGAZINE CAP COMPLETE		1				
050	419747-9	ADJUST SHAFT		1	*			
050-1	456962-4	ADJUST SHAFT	<	1				
051	268166-4	PIN 2.5		1				
052	961105-0	RETAINING RING S-25		1				
053	268167-2	PIN 2.5		1				
054	419746-1	ADJUST SLEEVE		1				
055	216001-0	STEEL BALL 3.5		2				
056	232233-1	LEAF SPRING		1				
057	419745-3	CHANGE PLATE		1				
058	135256-7	MAGAZINE ASS'Y		1	*			
D10		INC. 45-57			*			
058-1	135499-1	MAGAZINE ASSY	<	1	*			
D10		INC. 45-57			*			
058-2	135809-2	MAGAZINE ASSEMBLY	<	1				
D10		INC. 45-57						
059	419739-8	HOOK		1				
060	911257-7	PAN HEAD SCREW M5X35		1	*			
060-1	911258-5	PAN HEAD SCREW M5X35	<	1				
062	922212-4	HEX. SOCKET HEAD BOLT M5X12		1				
063	419740-3	CONTACT ARM COVER		1				
064	262120-0	URETHANE RING 3		1				
065	310195-4	FEEDING CLAW		1				
066	268165-6	PIN 4.5		1				
067	231632-4	TORSION SPRING 6		1				
069	421418-6	RUBBER PIN 9.5		1				
070	413104-3	COVER		1				
071	165492-1	CONTACT ARM		1				

Please order the parts with part number.

Print Date 18/6/2019

## Model No.AN620H PNEUMATIC COIL NAILER

Item	Parts No.	Description	I/C	Qty	New/Old	Opt. 1	Opt. 2	Note
072	256772-7	PIN 4		1				
073	310193-8	DOOR		1				
074	262120-0	URETHANE RING 3		1				
078	162247-5	LOCK LEVER		1				
079	233486-5	COMPRESSION SPRING 5		1				
080	421418-6	RUBBER PIN 9.5		1				
081	266419-5	HEX. SOCKET HEAD BOLT M4X12		1				
082	419741-1	DOOR COVER		1				
083	268164-8	PIN 3		1				
084	266419-5	HEX. SOCKET HEAD BOLT M4X12		1				
085	310194-6	NAIL HOLDER		1				
086	233487-3	COMPRESSION SPRING 8		1				
087	345774-9	CHECK CLAW		1				
088	213054-0	O RING 9		1				
089	324744-1	PISTON		1				
090	213154-6	O RING 14		1				
091	233198-0	COMPRESSION SPRING 9		1				
092	262075-9	RUBBER RING 16		1				
093	344452-8	CUP WASHER 5		1				
094	962103-7	RETAINING RING R-24		1				
095	213233-0	O-RING 15		1				
096	213275-4	O RING 18		1				
097	419732-2	TRIGGER VALVE GUIDE		1				
098	213968-3	O-RING 7		2				
099	419733-0	PILOT VALVE		1	*			
099-1	456262-2	PILOT VALVE	<	1				
100	233485-7	COMPRESSION SPRING 4		1				
101	213034-6	O RING 3		1	*			
101-1	213044-3	O RING 3	S	1				
102	324743-3	TRIGGER VALVE STEM		1	*			
102-1	326189-9	TRIGGER VALVE STEM	S	1				
103	213979-8	O-RING 3		2	*			
103-1	213640-7	O-RING 3	S	2				
104	213185-5	O-RING 12.5		1				
105	213275-4	O RING 18		1				
106	331741-0	TRIGGER VALVE CASE		1				
108	233501-5	TORSION SPRING 5		1				
109	310199-6	STOPPER PLATE		1				
110	233502-3	TORSION SPRING 6		1	*			
110-1	233576-4	TORSION SPRING 6	<	1				
111	310310-0	LEVER		1				

Please order the parts with part number.

Print Date 18/6/2019

## Model No.AN620H PNEUMATIC COIL NAILER

Item	Parts No.	Description	I/C	Qty	New/Old	Opt. 1	Opt. 2	Note
112	310293-4	CHANGE ROD		1				
113	216024-8	STEEL BALL 4		1	*			
113-1	326144-1	LOCK PIN	<	1				
114	233490-4	COMPRESSION SPRING 2		1				
115	419743-7	SPRING COVER		1				
116	268168-0	PIN 3		1				
117	268168-0	PIN 3		1				
118	951007-8	SPRING PIN 2-12		1				
119	310294-2	TRIGGER		1				
120	231699-2	TORSION SPRING 4		1				
121	310196-2	TRIP LEVER		1				
122	310198-8	LEVER		1				
123	233503-1	TORSION SPRING 4		1				
124	419844-1	TRIGGER BASE		1				
125	135231-3	TRIGGER ASS'Y		1	*			
D10		INC. 108-111,113-124			*			
125-1	135494-1	TRIGGER ASS'Y	O	1				
D10		INC. 108-111,113-124						
126	233489-9	COMPRESSION SPRING 6		1				
127	951010-9	SPRING PIN 2-14		1				
128	310201-5	ADJUSTER PIECE		1				
129	345775-7	SLIDE PLATE		1				
130	262120-0	URETHANE RING 3		1				
131	310234-0	UPPER YOKE		1				
132	324745-9	ADJUSTER SHAFT		1				
133	233491-2	COMPRESSION SPRING 2		1				
134	216031-1	STEEL BALL 2.3		1				
137	951010-9	SPRING PIN 2-14		1				
138	135232-1	ADJUSTER ASS'Y		1				
D10		INC. 127-129,131-134,137,141						
139	233488-1	COMPRESSION SPRING 5		1				
140	331739-7	CYLINDER STAY		1				
141	158747-1	ADJUSTER COMPLETE		1				
142	194735-4	AIR LEAK REPAIR SET		1				
D10		INC. 11,13,143						
143	194735-4	AIR LEAK REPAIR SET		1				
D10		INC. 95,96,98,101,103-105,142						
144	866119-3	AN620H NAME PLATE		1				
145	135598-9	TRIGGER VALVE ASS'Y		1	*			
D10		INC. 95-106			*			
145-1	135681-2	TRIGGER VALVE ASS'Y	<	1				
D10		INC. 95-106						

Please order the parts with part number.

Print Date 18/6/2019



## Model No.AN620H PNEUMATIC COIL NAILER

Item	Parts No.	Description	I/C	Qty	New/Old	Opt. 1	Opt. 2	Note
A01	421984-3	NOSE ADAPTER		1				
A02	192517-8	SAFETY GOGGLE		1	*			
A02-1	195246-2	SAFETY GOGGLE	<	1	*			
A03	194381-3	OIL SUPPLY SET		1				
A04	824490-1	PLASTIC CARRYING CASE		1				
C10	186347-7	SLIDE LATCH SET		1				

Please order the parts with part number.

Print Date 18/6/2019