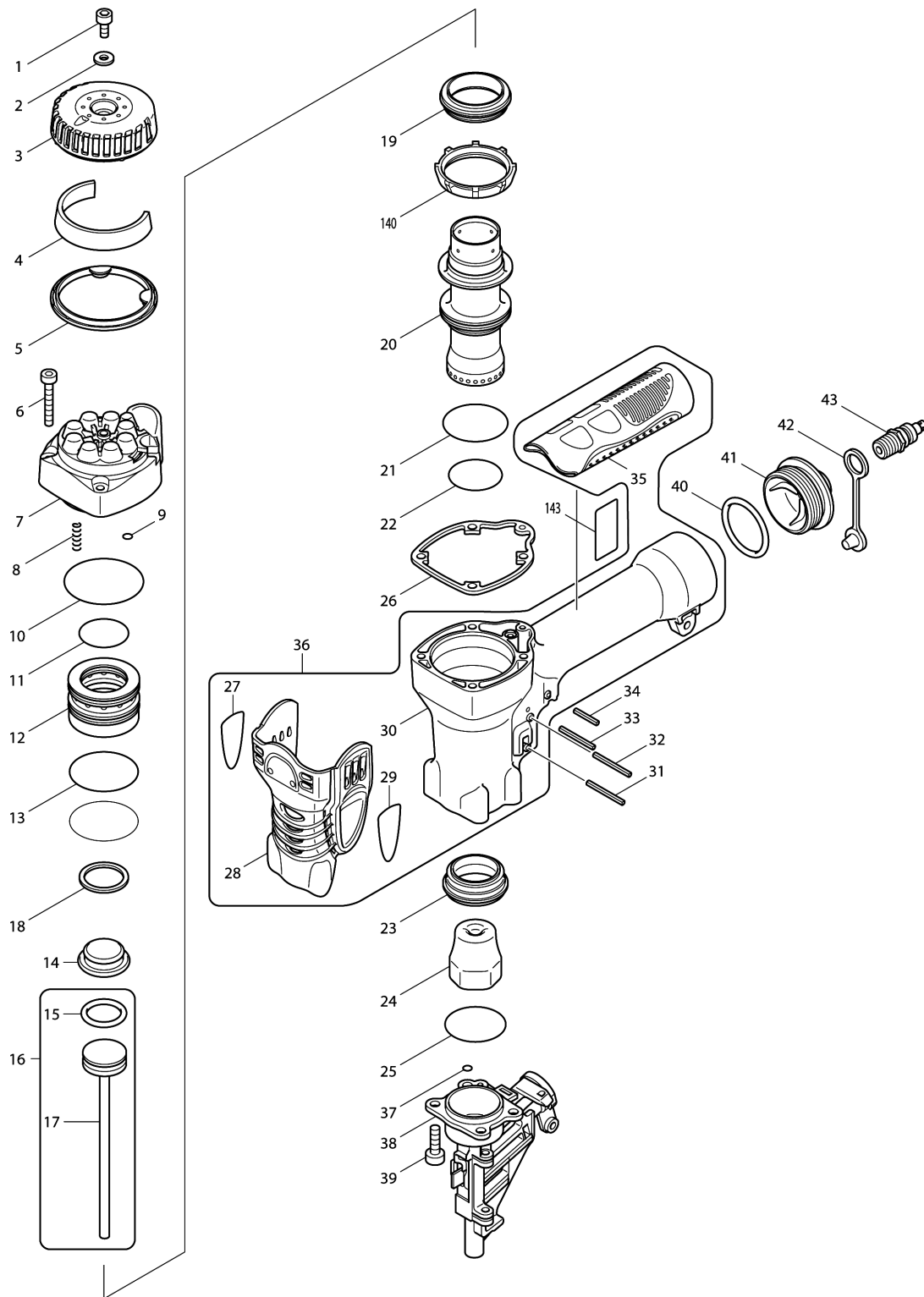
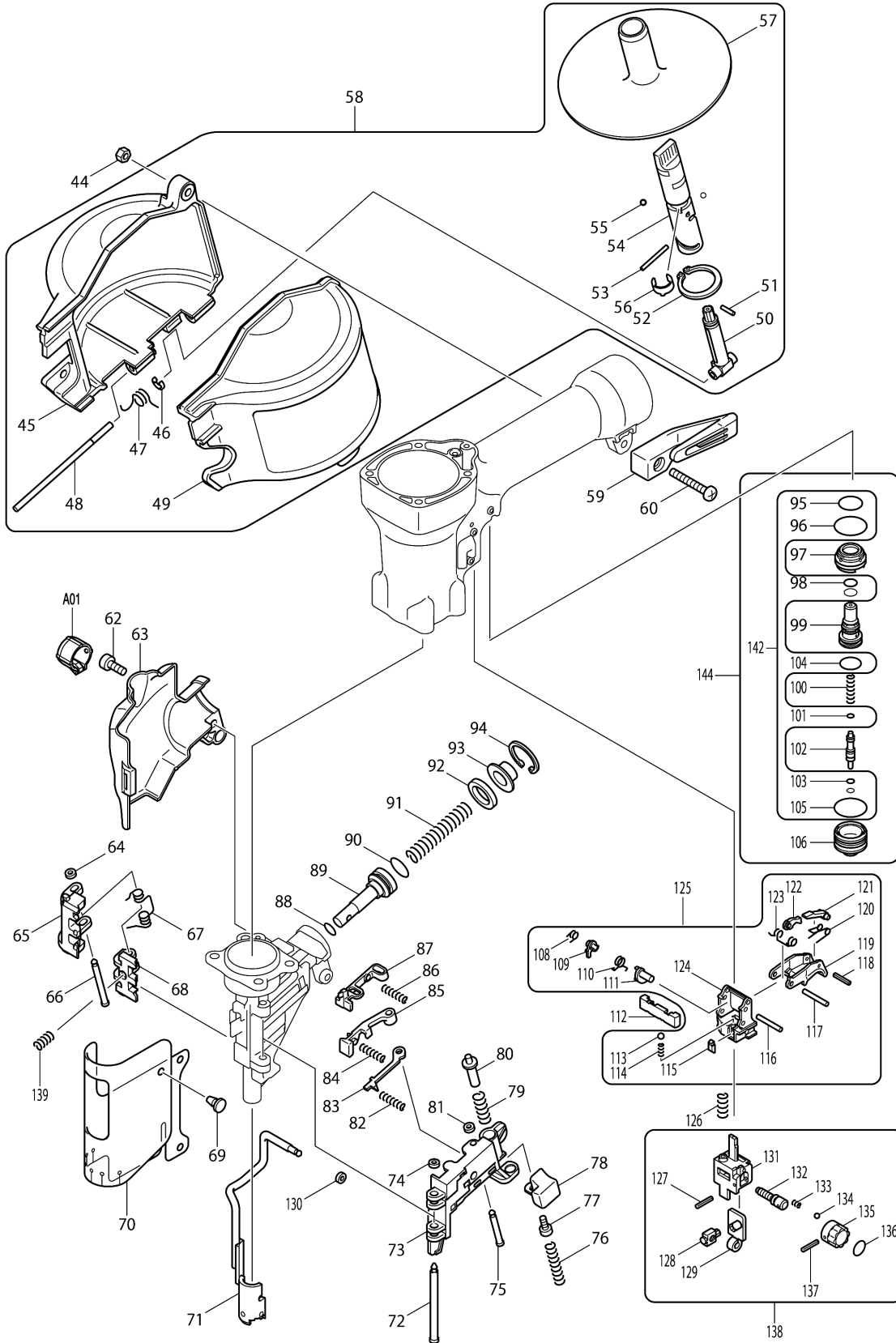


# Model No.AN610H PNEUMATIC COIL NAILER





# Model No.AN610H PNEUMATIC COIL NAILER





## Model No.AN610H PNEUMATIC COIL NAILER

| Item  | Parts No. | Description                    | I/C | Qty | New/Old | Opt. 1 | Opt. 2 | Note |
|-------|-----------|--------------------------------|-----|-----|---------|--------|--------|------|
| 001   | 922212-4  | HEX. SOCKET HEAD BOLT<br>M5X12 |     | 1   |         |        |        |      |
| 002   | 267343-5  | FLAT WASHER 5                  |     | 1   |         |        |        |      |
| 003   | 419734-8  | EXHAUST COVER                  |     | 1   | *       |        |        |      |
| 003-1 | 453875-0  | EXHAUST COVER                  | <   | 1   |         |        |        |      |
| 004   | 413103-5  | FILTER                         |     | 1   |         |        |        |      |
| 005   | 419735-6  | COVER SEAL                     |     | 1   |         |        |        |      |
| 006   | 922257-2  | HEX. SOCKET HEAD BOLT<br>M5X35 |     | 4   |         |        |        |      |
| 007   | 318109-7  | TOP CAP                        |     | 1   |         |        |        |      |
| 008   | 233484-9  | COMPRESSION SPRING 4           |     | 8   |         |        |        |      |
| 009   | 213021-5  | O RING 5                       |     | 1   |         |        |        |      |
| 010   | 213604-1  | O RING 50                      |     | 1   |         |        |        |      |
| 011   | 213447-1  | O-RING 30                      |     | 1   | *       |        |        |      |
| 011-1 | 213423-5  | O RING 30                      | O   | 1   |         |        |        |      |
| 012   | 419736-4  | HEAD VALVE                     |     | 1   |         |        |        |      |
| 013   | 213558-2  | O RING 42                      |     | 2   |         |        |        |      |
| 014   | 421983-5  | REAR CUSHION                   |     | 1   |         |        |        |      |
| 015   | 213967-5  | O-RING 22.5                    |     | 1   |         |        |        |      |
| 016   | 135235-5  | DRIVER ASSY                    |     | 1   |         |        |        |      |
| D10   |           | INC. 15,17                     |     |     |         |        |        |      |
| 017   | 168500-7  | DRIVER                         |     | 1   |         |        |        |      |
| 018   | 267342-7  | FLAT WASHER 26                 |     | 1   |         |        |        |      |
| 019   | 421981-9  | VALVE SEAT                     |     | 1   |         |        |        |      |
| 020   | 331740-2  | CYLINDER                       |     | 1   | *       |        |        |      |
| 020-1 | 326758-6  | CYLINDER                       | <   | 1   |         |        |        |      |
| 021   | 213509-5  | O RING 40                      |     | 1   |         |        |        |      |
| 022   | 213475-6  | O RING 34                      |     | 1   |         |        |        |      |
| 023   | 324742-5  | CYLINDER GUIDE                 |     | 1   |         |        |        |      |
| 024   | 421982-7  | FRONT CUSHION                  |     | 1   |         |        |        |      |
| 025   | 213528-1  | O-RING 38                      |     | 1   |         |        |        |      |
| 026   | 162246-7  | TOP CAP GASKET                 |     | 1   |         |        |        |      |
| 027   | 819321-7  | MAKITA LOGO LABEL R            |     | 1   |         |        |        |      |
| 029   | 819322-5  | MAKITA LOGO LABEL L            |     | 1   |         |        |        |      |
| 031   | 951078-5  | SPRING PIN 3-32                |     | 1   |         |        |        |      |
| 032   | 951078-5  | SPRING PIN 3-32                |     | 1   |         |        |        |      |
| 033   | 258029-2  | SPRING PIN 3-30                |     | 1   |         |        |        |      |
| 034   | 951069-6  | SPRING PIN 3-20                |     | 1   |         |        |        |      |
| 036   | 188604-9  | HOUSING SET                    |     | 1   |         |        |        |      |
| C10   | 816919-1  | INDICATION LABEL               |     | 1   |         |        |        |      |
| D10   |           | INC. 27,29                     |     |     |         |        |        |      |
| 037   | 213970-6  | O-RING 4                       |     | 1   |         |        |        |      |
| 038   | 310250-2  | DRIVER GUIDE                   |     | 1   |         |        |        |      |

Please order the parts with part number.

Print Date 18/6/2019

## Model No.AN610H PNEUMATIC COIL NAILER

| Item  | Parts No. | Description                    | I/C | Qty | New/Old | Opt. 1 | Opt. 2 | Note |
|-------|-----------|--------------------------------|-----|-----|---------|--------|--------|------|
| 039   | 922332-4  | HEX. SOCKET HEAD BOLT<br>M6X20 |     | 4   |         |        |        |      |
| 040   | 213521-5  | O RING 36                      |     | 1   | *       |        |        |      |
| 040-1 | 213506-1  | O RING 36                      | O   | 1   |         |        |        |      |
| 041   | 318108-9  | INLET CAP                      |     | 1   |         |        |        |      |
| 042   | 286280-4  | CAP 9                          |     | 1   |         |        |        |      |
| 043   | 243105-5  | ONE-TOUCH JOINT H22PM          |     | 1   |         |        |        |      |
| 044   | 264008-0  | HEX. ROCK NUT M5-8             |     | 1   |         |        |        |      |
| 045   | 419737-2  | MAGAZINE                       |     | 1   | *       |        |        |      |
| 045-1 | 453103-3  | MAGAZINE                       | <   | 1   | *       |        |        |      |
| 045-2 | 457138-6  | MAGAZINE                       | <   | 1   |         |        |        |      |
| 046   | 259042-3  | STOP RING E-3                  |     | 1   |         |        |        |      |
| 047   | 233504-9  | TORSION SPRING 8               |     | 1   |         |        |        |      |
| 048   | 256773-5  | PIN 4                          |     | 1   |         |        |        |      |
| 049   | 158936-8  | MAGAZINE CAP COMPLETE          |     | 1   |         |        |        |      |
| C10   | 808231-3  | AN610H MAGAZINE LABEL          |     | 1   |         |        |        |      |
| 050   | 419747-9  | ADJUST SHAFT                   |     | 1   | *       |        |        |      |
| 050-1 | 456962-4  | ADJUST SHAFT                   | <   | 1   |         |        |        |      |
| 051   | 268166-4  | PIN 2.5                        |     | 1   |         |        |        |      |
| 052   | 961105-0  | RETAINING RING S-25            |     | 1   |         |        |        |      |
| 053   | 268167-2  | PIN 2.5                        |     | 1   |         |        |        |      |
| 054   | 419746-1  | ADJUST SLEEVE                  |     | 1   |         |        |        |      |
| 055   | 216001-0  | STEEL BALL 3.5                 |     | 2   |         |        |        |      |
| 056   | 232233-1  | LEAF SPRING                    |     | 1   |         |        |        |      |
| 057   | 419745-3  | CHANGE PLATE                   |     | 1   |         |        |        |      |
| 058   | 135233-9  | MAGAZINE ASSY                  |     | 1   | *       |        |        |      |
| D10   |           | INC. 45-57                     |     |     | *       |        |        |      |
| 058-1 | 135498-3  | MAGAZINE ASSY                  | <   | 1   | *       |        |        |      |
| D10   |           | INC. 45-57                     |     |     | *       |        |        |      |
| 058-2 | 135805-0  | MAGAZINE ASSEMBLY              | <   | 1   |         |        |        |      |
| D10   |           | INC. 45-57                     |     |     |         |        |        |      |
| 059   | 419739-8  | HOOK                           |     | 1   |         |        |        |      |
| 060   | 911257-7  | PAN HEAD SCREW M5X35           |     | 1   | *       |        |        |      |
| 060-1 | 911258-5  | PAN HEAD SCREW M5X35           | <   | 1   |         |        |        |      |
| 062   | 922212-4  | HEX. SOCKET HEAD BOLT<br>M5X12 |     | 1   |         |        |        |      |
| 063   | 450828-0  | CONTACT ARM COVER              |     | 1   |         |        |        |      |
| 064   | 262054-7  | URETHANE RING 3                |     | 1   |         |        |        |      |
| 065   | 310046-1  | FEEDING CLAW F                 |     | 1   |         |        |        |      |
| 066   | 268027-8  | PIN 4                          |     | 1   |         |        |        |      |
| 067   | 231632-4  | TORSION SPRING 6               |     | 1   |         |        |        |      |
| 068   | 310186-5  | FEEDING CLAW R                 |     | 1   |         |        |        |      |
| 069   | 421418-6  | RUBBER PIN 9.5                 |     | 2   |         |        |        |      |

Please order the parts with part number.

Print Date 18/6/2019

## Model No.AN610H PNEUMATIC COIL NAILER

| Item  | Parts No. | Description                    | I/C | Qty | New/Old | Opt. 1 | Opt. 2 | Note |
|-------|-----------|--------------------------------|-----|-----|---------|--------|--------|------|
| 070   | 413127-1  | COVER                          |     | 1   |         |        |        |      |
| 071   | 165542-2  | CONTACT ARM                    |     | 1   |         |        |        |      |
| 072   | 268025-2  | PIN 5                          |     | 1   |         |        |        |      |
| 073   | 310182-3  | DOOR                           |     | 1   |         |        |        |      |
| 074   | 262054-7  | URETHANE RING 3                |     | 1   |         |        |        |      |
| 075   | 268024-4  | PIN 4                          |     | 1   |         |        |        |      |
| 076   | 233204-1  | COMPRESSION SPRING 5           |     | 1   |         |        |        |      |
| 077   | 266167-6  | HEX. SOCKET HEAD BOLT<br>M4X10 |     | 1   |         |        |        |      |
| 078   | 310050-0  | LOCK LEVER                     |     | 1   |         |        |        |      |
| 079   | 233201-7  | COMPRESSION SPRING 6           |     | 1   |         |        |        |      |
| 080   | 323713-9  | LOCK PIN                       |     | 1   |         |        |        |      |
| 081   | 262054-7  | URETHANE RING 3                |     | 1   |         |        |        |      |
| 082   | 233101-1  | COMPRESSION SPRING 4           |     | 1   |         |        |        |      |
| 083   | 345758-7  | CHECK CLAW                     |     | 1   |         |        |        |      |
| 084   | 233101-1  | COMPRESSION SPRING 4           |     | 1   |         |        |        |      |
| 085   | 310179-2  | NAIL HOLDER                    |     | 1   |         |        |        |      |
| 086   | 233101-1  | COMPRESSION SPRING 4           |     | 1   |         |        |        |      |
| 087   | 310184-9  | ARM                            |     | 1   |         |        |        |      |
| 088   | 213054-0  | O RING 9                       |     | 1   |         |        |        |      |
| 089   | 324962-1  | PISTON                         |     | 1   |         |        |        |      |
| 090   | 213154-6  | O RING 14                      |     | 1   |         |        |        |      |
| 091   | 233198-0  | COMPRESSION SPRING 9           |     | 1   |         |        |        |      |
| 092   | 262075-9  | RUBBER RING 16                 |     | 1   |         |        |        |      |
| 093   | 344452-8  | CUP WASHER 5                   |     | 1   |         |        |        |      |
| 094   | 962103-7  | RETAINING RING R-24            |     | 1   |         |        |        |      |
| 095   | 213233-0  | O-RING 15                      |     | 1   |         |        |        |      |
| 096   | 213275-4  | O RING 18                      |     | 1   |         |        |        |      |
| 097   | 419732-2  | TRIGGER VALVE GUIDE            |     | 1   |         |        |        |      |
| 098   | 213968-3  | O-RING 7                       |     | 2   |         |        |        |      |
| 099   | 419733-0  | PILOT VALVE                    |     | 1   | *       |        |        |      |
| 099-1 | 456262-2  | PILOT VALVE                    | <   | 1   |         |        |        |      |
| 100   | 233485-7  | COMPRESSION SPRING 4           |     | 1   |         |        |        |      |
| 101   | 213034-6  | O RING 3                       |     | 1   | *       |        |        |      |
| 101-1 | 213044-3  | O RING 3                       | S   | 1   |         |        |        |      |
| 102   | 324743-3  | TRIGGER VALVE STEM             |     | 1   | *       |        |        |      |
| 102-1 | 326189-9  | TRIGGER VALVE STEM             | S   | 1   |         |        |        |      |
| 103   | 213979-8  | O-RING 3                       |     | 2   | *       |        |        |      |
| 103-1 | 213640-7  | O-RING 3                       | S   | 2   |         |        |        |      |
| 104   | 213185-5  | O-RING 12.5                    |     | 1   |         |        |        |      |
| 105   | 213275-4  | O RING 18                      |     | 1   |         |        |        |      |
| 106   | 331741-0  | TRIGGER VALVE CASE             |     | 1   |         |        |        |      |
| 108   | 233501-5  | TORSION SPRING 5               |     | 1   |         |        |        |      |

Please order the parts with part number.

Print Date 18/6/2019

## Model No.AN610H PNEUMATIC COIL NAILER

| Item  | Parts No. | Description              | I/C | Qty | New/Old | Opt. 1 | Opt. 2 | Note |
|-------|-----------|--------------------------|-----|-----|---------|--------|--------|------|
| 109   | 310199-6  | STOPPER PLATE            |     | 1   |         |        |        |      |
| 110   | 233502-3  | TORSION SPRING 6         |     | 1   | *       |        |        |      |
| 110-1 | 233576-4  | TORSION SPRING 6         | <   | 1   |         |        |        |      |
| 111   | 310197-0  | LEVER                    |     | 1   | *       |        |        |      |
| 111-1 | 310310-0  | LEVER                    | X   | 1   |         |        |        |      |
| 112   | 310293-4  | CHANGE ROD               |     | 1   |         |        |        |      |
| 113   | 216024-8  | STEEL BALL 4             |     | 1   | *       |        |        |      |
| 113-1 | 326144-1  | LOCK PIN                 | <   | 1   |         |        |        |      |
| 114   | 233490-4  | COMPRESSION SPRING 2     |     | 1   |         |        |        |      |
| 115   | 419743-7  | SPRING COVER             |     | 1   |         |        |        |      |
| 116   | 268168-0  | PIN 3                    |     | 1   |         |        |        |      |
| 117   | 268168-0  | PIN 3                    |     | 1   |         |        |        |      |
| 118   | 951007-8  | SPRING PIN 2-12          |     | 1   |         |        |        |      |
| 119   | 310294-2  | TRIGGER                  |     | 1   |         |        |        |      |
| 120   | 231699-2  | TORSION SPRING 4         |     | 1   |         |        |        |      |
| 121   | 310196-2  | TRIP LEVER               |     | 1   |         |        |        |      |
| 122   | 310198-8  | LEVER                    |     | 1   |         |        |        |      |
| 123   | 233503-1  | TORSION SPRING 4         |     | 1   |         |        |        |      |
| 124   | 419844-1  | TRIGGER BASE             |     | 1   |         |        |        |      |
| 125   | 135231-3  | TRIGGER ASS'Y            |     | 1   | *       |        |        |      |
| D10   |           | INC. 108-111,113-124     |     |     | *       |        |        |      |
| 125-1 | 135494-1  | TRIGGER ASS'Y            | O   | 1   |         |        |        |      |
| D10   |           | INC. 108-111,113-124     |     |     |         |        |        |      |
| 126   | 233489-9  | COMPRESSION SPRING 6     |     | 1   |         |        |        |      |
| 127   | 951010-9  | SPRING PIN 2-14          |     | 1   |         |        |        |      |
| 128   | 310201-5  | ADJUSTER PIECE           |     | 1   |         |        |        |      |
| 129   | 345775-7  | SLIDE PLATE              |     | 1   |         |        |        |      |
| 130   | 262120-0  | URETHANE RING 3          |     | 1   |         |        |        |      |
| 131   | 310234-0  | UPPER YOKE               |     | 1   |         |        |        |      |
| 132   | 324745-9  | ADJUSTER SHAFT           |     | 1   |         |        |        |      |
| 133   | 233491-2  | COMPRESSION SPRING 2     |     | 1   |         |        |        |      |
| 134   | 216031-1  | STEEL BALL 2.3           |     | 1   |         |        |        |      |
| 135   | 158747-1  | ADJUSTER COMPLETE        |     | 1   |         |        |        |      |
| 137   | 951010-9  | SPRING PIN 2-14          |     | 1   |         |        |        |      |
| 138   | 135232-1  | ADJUSTER ASS'Y           |     | 1   |         |        |        |      |
| D10   |           | INC. 127-129,131-135,137 |     |     |         |        |        |      |
| 139   | 233081-1  | COMPRESSION SPRING 3     |     | 1   |         |        |        |      |
| 140   | 331739-7  | CYLINDER STAY            |     | 1   |         |        |        |      |
| 141   | 194735-4  | AIR LEAK REPAIR SET      |     | 1   |         |        |        |      |
| D10   |           | INC. 11,13,95,96,98,101, |     |     |         |        |        |      |
| D20   |           | INC. 103-105             |     |     |         |        |        |      |
| 143   | 866116-9  | AN610H NAME PLATE        |     | 1   |         |        |        |      |

Please order the parts with part number.

Print Date 18/6/2019



## Model No.AN610H PNEUMATIC COIL NAILER

| Item  | Parts No. | Description           | I/C | Qty | New/Old | Opt. 1 | Opt. 2 | Note |
|-------|-----------|-----------------------|-----|-----|---------|--------|--------|------|
| 144   | 135598-9  | TRIGGER VALVE ASS'Y   |     | 1   | *       |        |        |      |
| D10   |           | INC. 95-106           |     |     | *       |        |        |      |
| 144-1 | 135681-2  | TRIGGER VALVE ASS'Y   | <   | 1   |         |        |        |      |
| D10   |           | INC. 95-106           |     |     |         |        |        |      |
| A01   | 421574-2  | NOSE ADAPTER          |     | 1   |         |        |        |      |
| A02   | 192517-8  | SAFETY GOGGLE         |     | 1   | *       |        |        |      |
| A02-1 | 195246-2  | SAFETY GOGGLE         | <   | 1   | *       |        |        |      |
| A03   | 194381-3  | OIL SUPPLY SET        |     | 1   |         |        |        |      |
| A04   | 824490-1  | PLASTIC CARRYING CASE |     | 1   |         |        |        |      |
| C10   | 186347-7  | SLIDE LATCH SET       |     | 1   |         |        |        |      |

Please order the parts with part number.

Print Date 18/6/2019