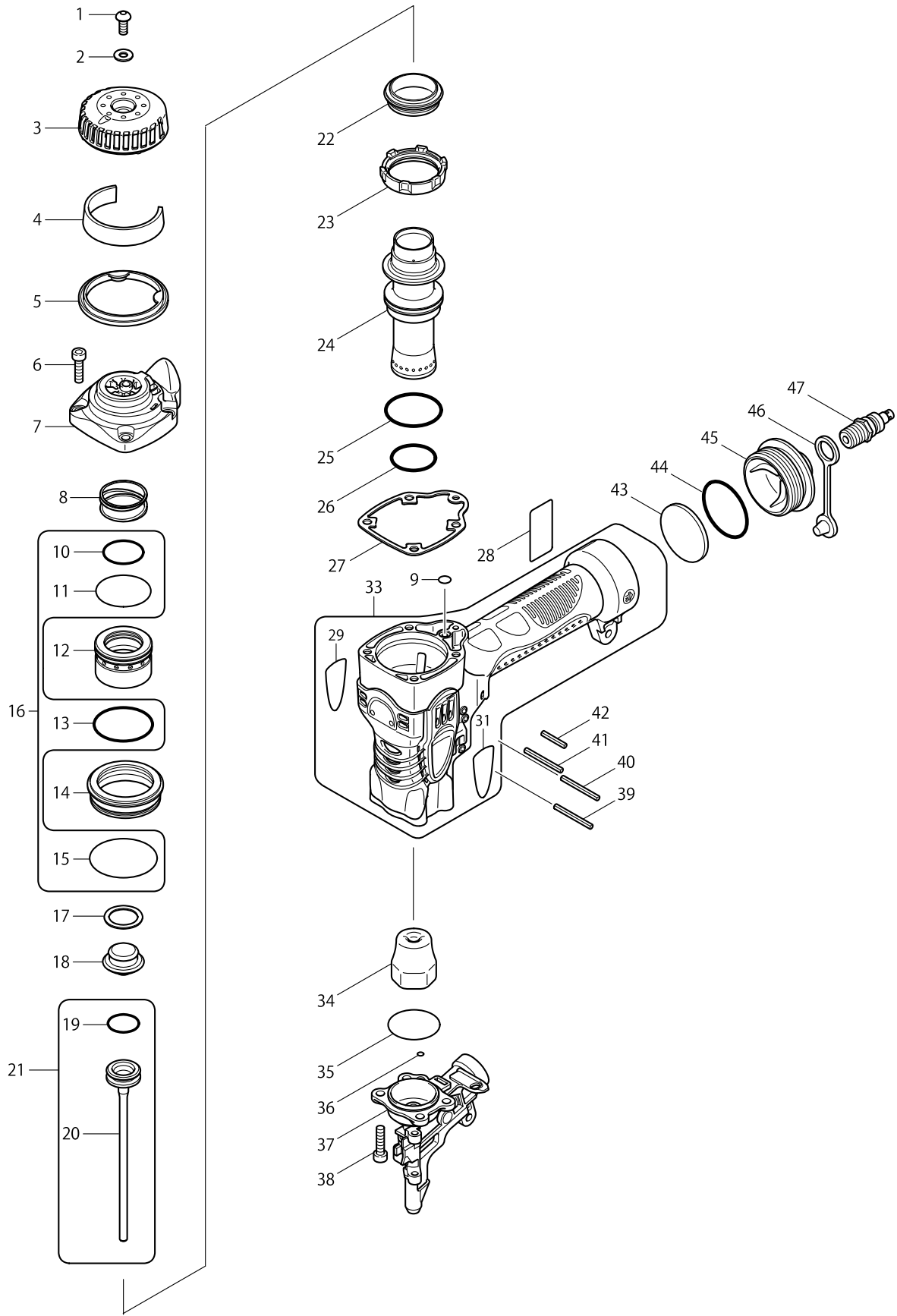
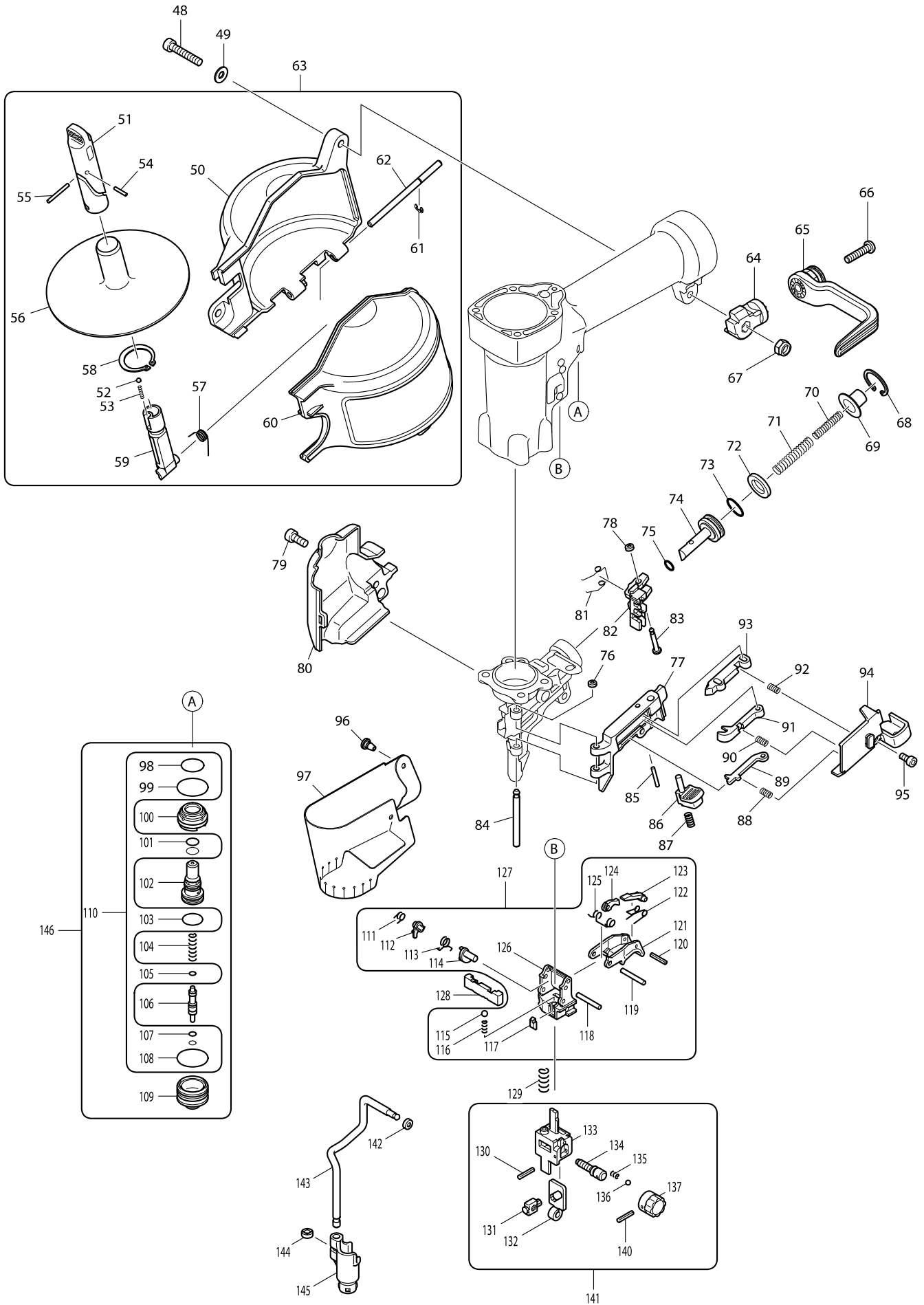


Model No. AN510H PNEUMATIC COIL NAILER



Model No. AN510H PNEUMATIC COIL NAILER



Model No. AN510H PNEUMATIC COIL NAILER

Item	Parts No.	Description	I/C	Qty	N/O	Opt. 1	Opt. 2	Note
001	266233-9	HEX. SOCKET HEAD BOLT M5X12		1	*			
001-1	265903-7	HEX. SOCKET HEAD BOLT M5X12	O	1				
002	267343-5	FLAT WASHER 5		1				
003	419764-9	EXHAUT COVER		1				
004	413106-9	FILTER		1				
005	419763-1	COVER SEAL		1				
006	266369-4	HEX SOCKET HEAD BOLT M5X20		4				
007	318252-2	TOP CAP		1				
008	234055-5	COMPRESSION SPRING 27		1				
009	213021-5	O RING 5		1				
010	213393-8	O RING 23		1				
011	213458-6	O RING 34		1				
012	419770-4	HEAD VALVE		1				
013	213510-0	O RING 36		1				
014	331744-4	HEAD VALVE GUIDE		1				
015	213561-3	O RING 42		1				
016	194736-2	AIR LEAK REPAIR SET		1				
D10		INC. 10,11,13,15,110						
017	267344-3	FLAT WASHER 18		1				
018	421993-2	REAR CUSHION		1				
019	213282-7	O-RING 17		1				
020	165458-1	DRIVER		1				
021	135135-9	DRIVER ASS'Y		1				
D10		INC. 19,20						
022	421994-0	VALVE SEAT		1				
023	331743-6	CYLINDER STAY		1				
024	331742-8	CYLINDER		1	*			
024-1	326756-0	CYLINDER	<	1				
025	213462-5	O RING 33		1				
026	213405-7	O RING 26		1	*			
026-1	213643-1	O RING 26	O	1				
027	162249-1	TOP CAP GASKET		1				
028	866113-5	AN510H NAME PLATE		1				
029	819333-0	MAKITA LOGO LABEL R		1				
031	819334-8	MAKITA LOGO LABEL L		1				
033	188650-2	HOUSING SET		1				
C10	816919-1	INDICATION LABEL		1				
D10		INC. 29,31						
034	421992-4	FRONT CUSHION		1				
035	213491-8	O RING 31		1	*			
035-1	213990-0	O-RING 31.5	O	1				
036	213034-6	O RING 3		1				
037	158171-8	DRIVER GUIDE COMPLETE		1				
038	266369-4	HEX SOCKET HEAD BOLT M5X20		4				
039	951078-5	SPRING PIN 3-32		1				
040	951078-5	SPRING PIN 3-32		1				
041	951078-5	SPRING PIN 3-32		1				
042	951069-6	SPRING PIN 3-20		1	*			

Model No. AN510H PNEUMATIC COIL NAILER

Item	Parts No.	Description	I/C	Qty	N/O	Opt. 1	Opt. 2	Note
042-1	258033-1	SPRING PIN 3-22	O	1				
043	413105-1	INLET FILTER		1				
044	213521-5	O RING 36		1	*			
044-1	213506-1	O RING 36	O	1				
045	318108-9	INLET CAP		1				
046	286280-4	CAP 9		1				
047	243105-5	ONE-TOUCH JOINT H22PM		1				
048	265570-8	HEX.SOCKET HEAD BOLT M5X28		1				
049	267343-5	FLAT WASHER 5		1				
050	419768-1	MAGAZINE		1				
051	419767-3	CHANGE SLEEVE		1				
052	216001-0	STEEL BALL 3.5		1				
053	233492-0	COMPRESSION SPRING 2		1				
054	268169-8	PIN 2.5		1				
055	268167-2	PIN 2.5		1				
056	419766-5	CHANGE PLATE		1				
057	233505-7	TORSION SPRING 7		1				
058	961105-0	RETAINING RING S-25		1				
059	419765-7	CHANGE SHAFT		1				
060	158916-4	MAGAZINE CAP COMPLETE		1				
C10	808229-0	AN510H MAGAZINE LABEL		1				
061	259042-3	STOP RING E-3		1				
062	268171-1	PIN 4		1				
063	135257-5	MAGAZINE ASSY		1				
D10		INC. 50-62						
064	162255-6	HOOK BASE		1				
065	419843-3	HOOK		1				
066	265176-2	PAN.HD.SCREW M5X22		1				
067	931202-6	HEX. NUT M5		1				
068	962101-1	RETAINING RING INT R-21		1				
069	345777-3	CUP WASHER		1	*			
069-1	346842-1	CUP WASHER	<	1	*			
069-2	326664-5	CAP WASHER	<	1	*			
069-3	326664-5	CAP WASHER	O	1				
070	233493-8	COMPRESSION SPRING 6		1				
071	233494-6	COMPRESSION SPRING 8		1				
072	262121-8	RUBBER RING 13		1				
073	213154-6	O RING 14		1				
074	324750-6	PISTON		1				
075	213007-9	O RING 8		1				
076	262120-0	URETHANE RING 3		1				
077	310189-9	DOOR		1				
078	262120-0	URETHANE RING 3		1				
079	265903-7	HEX. SOCKET HEAD BOLT M5X12		1				
080	419762-3	CONTACT ARM COVER		1				
081	231652-8	TORSION SPRING 6		1				
082	310116-6	FEEDING CLAW		1				
083	256463-0	SHOULDER PIN 3-4		1				

Model No. AN510H PNEUMATIC COIL NAILER

Item	Parts No.	Description	I/C	Qty	N/O	Opt. 1	Opt. 2	Note
084	268170-3	PIN 4		1				
085	268183-4	PIN 3		1				
086	162247-5	LOCK LEVER		1				
087	234013-1	COMPRESSION SPRING 5		1				
088	233133-8	COMPRESSION SPRING 4		1				
089	344995-0	CHECK CLAW		1				
090	233133-8	COMPRESSION SPRING 4		1				
091	311998-9	NAIL HOLDER		1				
092	233133-8	COMPRESSION SPRING 4		1				
093	311997-1	ARM		1				
094	419761-5	DOOR COVER		1				
095	265903-7	HEX. SOCKET HEAD BOLT M5X12		1				
096	421418-6	RUBBER PIN 9.5		1				
097	413107-7	COVER		1				
098	213233-0	O-RING 15		1				
099	213275-4	O RING 18		1				
100	419732-2	TRIGGER VALVE GUIDE		1				
101	213968-3	O-RING 7		2				
102	419733-0	PILOT VALVE		1	*			
102-1	456262-2	PILOT VALVE	<	1				
103	213185-5	O-RING 12.5		1				
104	233485-7	COMPRESSION SPRING 4		1				
105	213034-6	O RING 3		1	*			
105-1	213044-3	O RING 3	S	1				
106	324743-3	TRIGGER VALVE STEM		1	*			
106-1	326189-9	TRIGGER VALVE STEM	S	1				
107	213979-8	O-RING 3		2	*			
107-1	213640-7	O-RING 3	S	2				
108	213275-4	O RING 18		1				
109	331741-0	TRIGGER VALVE CASE		1				
110	194736-2	AIR LEAK REPAIR SET		1				
D10		INC. 16,98,99,101,103,105,107,						
D20		INC. 108						
111	233501-5	TORSION SPRING 5		1				
112	310199-6	STOPPER PLATE		1				
113	233502-3	TORSION SPRING 6		1	*			
113-1	233576-4	TORSION SPRING 6	<	1				
114	310310-0	LEVER		1				
115	216024-8	STEEL BALL 4		1	*			
115-1	326144-1	LOCK PIN	<	1				
116	233490-4	COMPRESSION SPRING 2		1				
117	419743-7	SPRING COVER		1				
118	268168-0	PIN 3		1				
119	268168-0	PIN 3		1				
120	951007-8	SPRING PIN 2-12		1				
121	310294-2	TRIGGER		1				
122	231699-2	TORSION SPRING 4		1				
123	310196-2	TRIP LEVER		1				

Model No. AN510H PNEUMATIC COIL NAILER

Item	Parts No.	Description	I/C	Qty	N/O	Opt. 1	Opt. 2	Note
124	310198-8	LEVER		1				
125	233503-1	TORSION SPRING 4		1				
126	419844-1	TRIGGER BASE		1				
127	135231-3	TRIGGER ASS'Y		1	*			
D10		INC. 111-126			*			
127-1	135494-1	TRIGGER ASS'Y	O	1				
D10		INC. 111-126						
128	310293-4	CHANGE ROD		1				
129	234012-3	COMPRESSION SPRING 6		1				
130	951010-9	SPRING PIN 2-14		1				
131	310201-5	ADJUSTER PIECE		1				
132	345775-7	SLIDE PLATE		1				
133	310234-0	UPPER YOKE		1				
134	324745-9	ADJUSTER SHAFT		1				
135	233491-2	COMPRESSION SPRING 2		1				
136	216031-1	STEEL BALL 2.3		1				
137	158747-1	ADJUSTER COMPLETE		1				
140	951010-9	SPRING PIN 2-14		1				
141	135232-1	ADJUSTER ASS'Y		1				
D10		INC. 130-137,140						
142	262120-0	URETHANE RING 3		1				
143	324751-4	ARM		1				
144	262128-4	URETHANE RING 4		1				
145	310240-5	CONTACT TOP		1				
146	135598-9	TRIGGER VALVE ASS'Y		1	*			
D10		INC. 98-109			*			
146-1	135681-2	TRIGGER VALVE ASS'Y	<	1				
D10		INC. 98-109						
A01	192517-8	SAFETY GOGGLE		1	*			
A01-1	195246-2	SAFETY GOGGLE	<	1				
A02	194381-3	OIL SUPPLY SET		1				
A03	421996-6	BOARD ADAPTER		1				
A04	421997-4	FLOOR ADAPTER		1				
A05	824793-3	PLASTIC CARRYING CASE		1				
C10	163455-1	LATCH		2				
C20	419360-3	HANDLE		1				