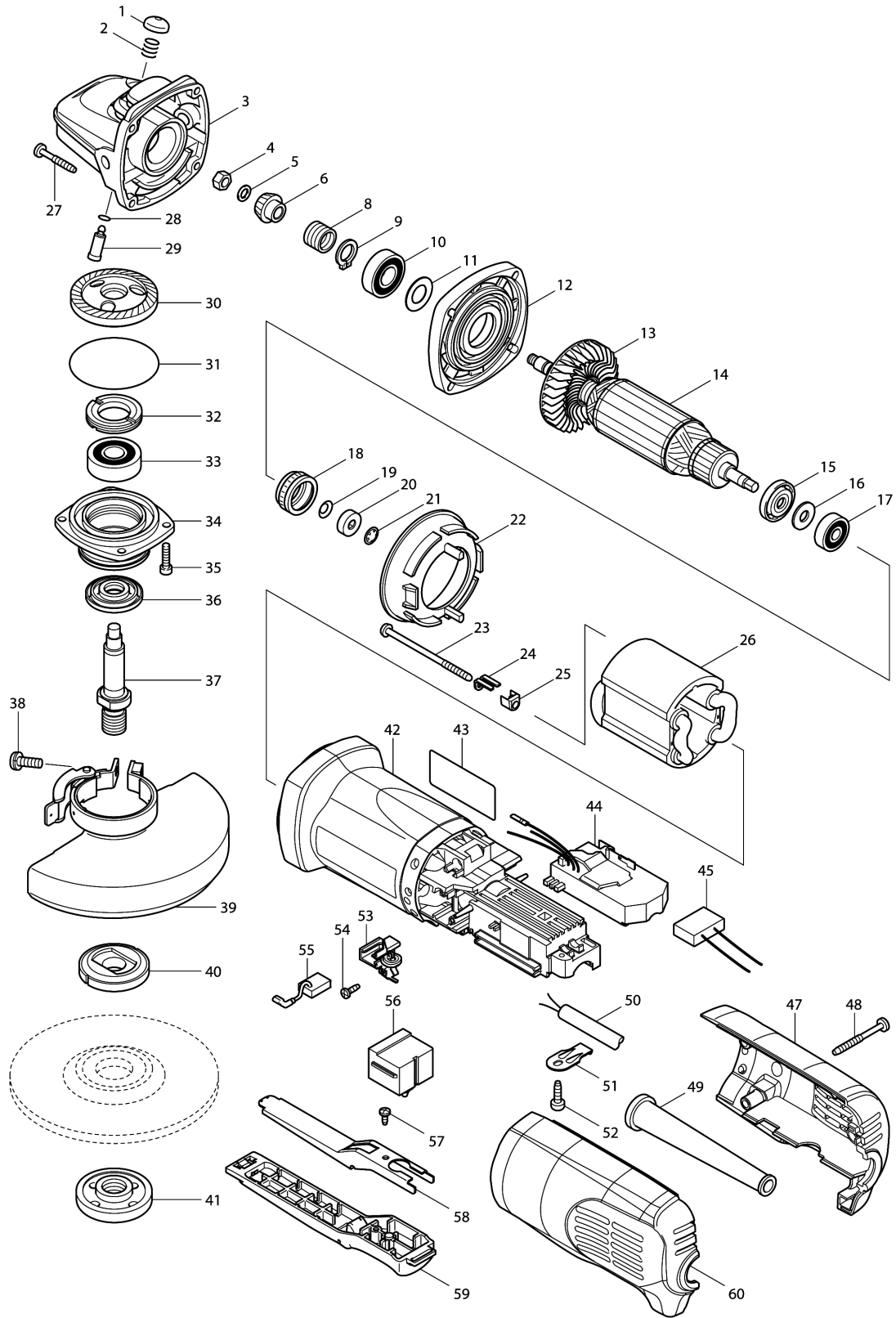


Model No.9565PC 125MM ANGLE GRINDER



Model No.9565PC 125MM ANGLE GRINDER

| Item | Parts No. | Description | I/C | Qty | New/Old | Opt. 1 | Opt. 2 | Note |
|-------|-----------|--------------------------------|-----|-----|---------|--------|--------|------|
| 001 | 418067-8 | PIN CAP | | 1 | | | | |
| 002 | 233072-2 | COMPRESSION SPRING 8 | | 1 | | | | |
| 003 | 153488-4 | GEAR HOUSING COMPLETE | | 1 | | | | |
| 004 | 931303-0 | HEX. NUT M6 | | 1 | | | | |
| 005 | 253077-6 | FLAT WASHER 6 | | 1 | | | | |
| 006 | 226794-1 | SPIRAL BEVEL GEAR 11 | | 1 | * | | | |
| 006-1 | 227513-8 | SPIRAL BEVEL GEAR 11 | S | 1 | | | | |
| 008 | 233901-9 | LOCK SPRING 12 | | 1 | | | | |
| 009 | 961052-5 | RETAINING RING S-12 | | 1 | | | | |
| 010 | 210105-0 | BALL BEARING 6001LLU | | 1 | | | | |
| 011 | 253084-9 | FLAT WASHER 12 | | 1 | | | | |
| 012 | 317359-1 | GEAR HOUSING COVER | | 1 | | | | |
| 013 | 240033-5 | FAN 57 | | 1 | | | | |
| 014 | 515228-2 | ARMATURE ASS'Y 220-240V | | 1 | | | | |
| D10 | | INC. 13,15-17 | | | | | | |
| 015 | 681656-4 | INSULATION WASHER | | 1 | | | | |
| 016 | 253823-7 | FLAT WASHER 7 | | 1 | | | | |
| 017 | 210027-4 | BALL BEARING 627DDW | | 1 | | | | |
| 018 | 421738-8 | LABYRINTH RUBBER RING 22 | | 1 | | | | |
| 019 | 267756-0 | WAVE WASHER 6 | | 1 | | | | |
| 020 | 688117-5 | MAGNET SLEEVE | | 1 | | | | |
| 021 | 259039-2 | SELF LOCK 6 | | 1 | | | | |
| 022 | 413076-2 | BAFFLE PLATE | | 1 | | | | |
| 023 | 266258-3 | TAPPING SCREW 4X70 | | 2 | | | | |
| 024 | 344871-8 | RETAINER | | 2 | | | | |
| 025 | 417237-6 | INSULATION COVER | | 2 | | | | |
| 026 | 626503-2 | FIELD 220-240V | | 1 | * | | | |
| 026-1 | 626598-5 | FIELD 220-240V | < | 1 | | | | |
| 027 | 266257-5 | TAPPING SCREW 4X28 | | 4 | | | | |
| 028 | 213048-5 | O RING 6 | | 1 | | | | |
| 029 | 256459-1 | PIN | | 1 | | | | |
| 030 | 226795-9 | SPIRAL BEVEL GEAR 38 | | 1 | * | | | |
| 030-1 | 227514-6 | SPIRAL BEVEL GEAR 38 | S | 1 | | | | |
| 031 | 213673-2 | O RING 52 | | 1 | | | | |
| 032 | 285841-7 | BEARING RETAINER | | 1 | | | | |
| 033 | 211129-9 | BALL BEARING 6201DDW | | 1 | | | | |
| 034 | 317570-5 | BEARING BOX | | 1 | * | | | |
| 034-1 | 318302-3 | BEARING BOX | < | 1 | * | | | |
| 034-2 | 318334-0 | BEARING BOX | S | 1 | | | | |
| 035 | 265490-6 | HEX. SOCKET HEAD BOLT M4X16 | | 4 | | | | |
| 036 | 415300-9 | LABYRINTH RING | | 1 | | | | |
| 037 | 324035-0 | SPINDLE | | 1 | | | | |

Please order the parts with part number.

Print Date 25/3/2020

Model No.9565PC 125MM ANGLE GRINDER

| Item | Parts No. | Description | I/C | Qty | New/Old | Opt. 1 | Opt. 2 | Note |
|-------|-----------|--------------------------------|-----|-----|---------|--------|--------|------|
| 038 | 251391-4 | PAN HEAD SCREW M5X16 | | 1 | * | | | |
| 038-1 | 265180-1 | PAN HEAD SCREW M5X16 | S | 1 | | | | |
| 039 | 135108-2 | TOOLLESS WHEEL COVER 125 ASS'Y | | 1 | * | | | |
| D10 | | INC. 38 | | | * | | | |
| 039-1 | 135242-8 | TOOLLESS WHEEL COVER 125 ASS'Y | S | 1 | * | | | |
| D10 | | INC. 38 | | | * | | | |
| 039-2 | 122895-2 | TOOLLESS WHEEL COVER 125K ASSY | < | 1 | * | | | |
| C10 | 213009-5 | O RING 4 | | 1 | * | | | |
| D10 | | INC. 38 | | | * | | | |
| 039-3 | 123145-8 | TOOLLESS WHEELCOVER 125AK ASSY | < | 1 | | | | |
| C10 | 213009-5 | O RING 4 | | 1 | | | | |
| D10 | | INC. 38 | | | | | | |
| 040 | 224415-9 | INNER FLANGE 42 | | 1 | | | | |
| 041 | 224554-5 | LOCK NUT 14-45 | | 1 | | | | |
| 042 | 450146-6 | MOTOR HOUSING | | 1 | * | | | |
| 042-1 | 455358-6 | MOTOR HOUSING | O | 1 | | | | |
| 043 | 864145-6 | 9565PC NAME PLATE | | 1 | | | | |
| 044 | 631787-9 | CONTROLLER | | 1 | | | | |
| 045 | 645238-6 | NOISE SUPPRESSOR | | 1 | | | | |
| 047 | 188364-3 | REAR COVER SET | | 1 | | | | |
| D10 | | INC. 60 | | | | | | |
| 048 | 266048-4 | TAPPING SCREW 4X40 | | 3 | | | | |
| 049 | 682559-5 | CORD GUARD 8 | | 1 | | | | |
| 050 | 665394-6 | POWER SUPPLY CORD 1.0-2-2.5 | | 1 | | | | |
| 051 | 687169-3 | STRAIN RELIEF | | 1 | | | | |
| 052 | 266192-7 | TAPPING SCREW 4X14 | | 1 | | | | |
| 053 | 643760-7 | BRUSH HOLDER | | 2 | | | | |
| 054 | 266256-7 | TAPPING SCREW PT3X10 | | 4 | | | | |
| 055 | 191978-9 | A.C. CARBON BRUSH CB-318 | | 1 | | | | |
| 056 | 650579-7 | SWITCH 1246.3223 | | 1 | | | | |
| 057 | 265954-0 | TAPPING SCREW BIND PT3X8 | | 1 | | | | |
| 058 | 345504-8 | PLATE | | 1 | | | | |
| 059 | 154584-1 | SWITCH LEVER B COMPLETE | | 1 | | | | |
| 060 | 188364-3 | REAR COVER SET | | 1 | | | | |
| D10 | | INC. 47 | | | | | | |
| 061 | 819356-8 | CLEAR LABEL | | 1 | * | | | |
| 061-1 | 805W66-1 | CLEAR LABEL | O | 1 | * | | | |
| A01 | 162258-0 | VIBRATION PROOF GRIP | | 1 | | | | |
| A02 | D-18465 | GRINDING WHEEL 125X6 A24R | | 1 | | | | |
| A03 | 782423-1 | LOCK NUT WRENCH 35 | | 1 | | | | |

Please order the parts with part number.

Print Date 25/3/2020