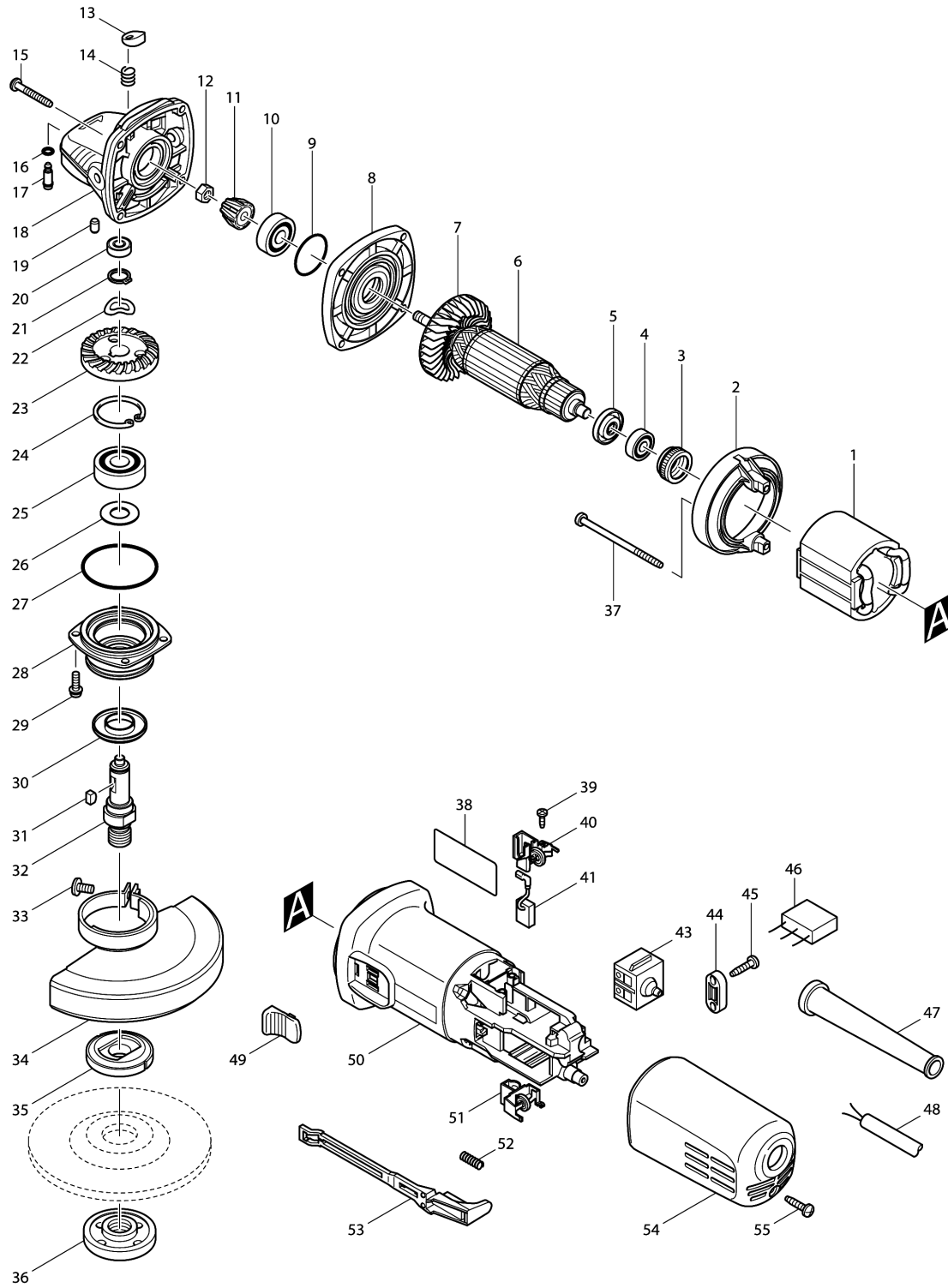


Model No.9554NB 115MM ANGLE GRINDER



Model No.9554NB 115MM ANGLE GRINDER

Item	Parts No.	Description	I/C	Qty	New/Old	Opt. 1	Opt. 2	Note
001	621713-6	FIELD 220-240V		1				
002	418795-5	BAFFLE PLATE		1	*			
002-1	457793-4	BAFFLE PLATE	<	1				
003	421868-5	LABYRINTH RUBBER RING 19		1				
004	210034-7	BALL BEARING 607LLB		1				
005	681667-9	RESIN WASHER		1	*			
005-1	681636-0	INSULATION WASHER	O	1				
006	515619-7	ARMATURE ASS'Y 220-240V		1				
D10		INC. 4,5,7						
007	240076-7	FAN 56		1				
008	317821-6	GEAR HOUSING COVER		1				
009	213445-5	O-RING 26		1				
010	210071-1	BALL BEARING 629LLB		1	*			
010-1	210053-3	BALL BEARING 629LLB	<	1	*			
010-2	210042-8	BALL BEARING 629LLB	O	1				
011	227464-5	SPIRAL BEVEL GEAR 10		1	*			
011-1	227541-3	SPIRAL BEVEL GEAR 10	S	1				
012	252186-8	HEX. NUT M6		1				
013	417771-6	PIN CAP		1				
014	233376-2	COMPRESSION SPRING 8		1				
015	266361-0	TAPPING SCREW 4X30		4	*			
015-1	266050-7	TAPPING SCREW 4X30	O	4				
016	213960-9	O RING 5		1				
017	256486-8	SHOULDER PIN 4		1				
018	317814-3	GEAR HOUSING		1	*			
018-1	318051-2	GEAR HOUSING	O	1				
019	263002-9	RUBBER PIN 4		1				
020	210033-9	BALL BEARING 696ZZ		1				
021	961052-5	RETAINING RING S-12		1				
022	267794-2	WAVE WASHER 12		1				
023	227465-3	SPIRAL BEVEL GEAR 37		1	*			
023-1	227505-7	SPIRAL BEVEL GEAR 37	<	1	*			
023-2	227542-1	SPIRAL BEVEL GEAR 37	S	1				
024	962151-6	RETAINING RING R-32		1				
025	211129-9	BALL BEARING 6201DDW		1				
026	267238-2	FLAT WASHER 12		1				
027	213622-9	O RING 45		1				
028	317819-3	BEARING BOX		1	*			
028-1	318331-6	BEARING BOX	S	1				
029	265099-4	PAN HEAD SCREW M4X14		4				
030	345464-4	LABYRINTH RING		1				
031	254011-9	WOODRUFF KEY 4		1				

Please order the parts with part number.

Print Date 18/6/2019

Model No.9554NB 115MM ANGLE GRINDER

Item	Parts No.	Description	I/C	Qty	New/Old	Opt. 1	Opt. 2	Note
032	324489-1	SPINDLE		1	*			
032-1	324489-1	SPINDLE	O	1				
033	265103-9	PAN HEAD SCREW M5X14		1	*			
033-1	265180-1	PAN HEAD SCREW M5X16	<	1				
034	125267-0	WHEEL COVER ASS'Y		1	*			
D10		INC. 33			*			
034-1	122886-3	WHEEL COVER 115K ASSEMBLY	S	1	*			
C10	213009-5	O RING 4		1	*			
D10		INC. 33			*			
034-2	123098-1	WHEEL COVER 115AK ASS'Y	<	1				
C10	213009-5	O RING 4		1				
D10		INC. 33						
035	224298-7	INNER FLANGE 42		1	*			
035-1	224415-9	INNER FLANGE 42	<	1				
036	224554-5	LOCK NUT 14-45		1				
037	266362-8	TAPPING SCREW 4X70		2	*			
037-1	266325-4	TAPPING SCREW 4X70	O	2				
038	861243-7	NAME PLATE 9554NB		1				
039	266007-8	TAPPING SCREW BIND PT 3X10		4				
040	643760-7	BRUSH HOLDER		1				
041	194074-2	CARBON BRUSH CB-325		1				
043	650560-8	SWITCH DPX-2110-R		1	*			
043-1	650621-4	SWITCH PS10	O	1	*			
043-2	650560-8	SWITCH DPX-2110-R	O	1				
044	687124-5	STRAIN RELIEF		1				
045	266326-2	TAPPING SCREW 4X18		2	*			
045-1	265995-6	TAPPING SCREW 4X18	O	2				
046	645233-6	NOISE SUPPRESSOR		1	*			
046-1	638740-6	CAPACITOR UNIT	S	1				
047	682559-5	CORD GUARD 8		1				
048	665394-6	POWER SUPPLY CORD 1.0-2-2.5		1				
049	418769-6	SWITCH KNOB		1	*			
049-1	419566-3	SWITCH KNOB	<	1				
050	418794-7	MOTOR HOUSING		1	*			
050-1	418794-7	MOTOR HOUSING	<	1	*			
050-2	451126-5	MOTOR HOUSING	<	1				
051	643760-7	BRUSH HOLDER		1				
052	233121-5	COMPRESSION SPRING 4		1				
053	418796-3	SWITCH LEVER C		1				
054	418726-4	REAR COVER		1				
055	266326-2	TAPPING SCREW 4X18		1	*			

Please order the parts with part number.

Print Date 18/6/2019

Model No.9554NB 115MM ANGLE GRINDER

Item	Parts No.	Description	I/C	Qty	New/Old	Opt. 1	Opt. 2	Note
055-1	265995-6	TAPPING SCREW 4X18	O	1				
A01	153489-2	GRIP 36 COMPLETE		1				
A02	782421-5	LOCK NUT WRENCH 35		1	*			
A02-1	782423-1	LOCK NUT WRENCH 35	<	1				
A03B	824736-5	PLASTIC CARRYING CASE		1	*			
C10	182935-8	SLIDE LATCH (R.L) SET		1	*			
A03-1B	824985-4	PLASTIC CARRYING CASE	O	1				
C10	183091-7	SLIDE LATCH RL SET	X	1				
A06	A-80640	DEPRESSED CENTER WHEEL 115X36		1	*			
A06-1	A-80927	GRINDING WHEEL 115X6X22(A36P)	O	1				

Please order the parts with part number.

Print Date 18/6/2019