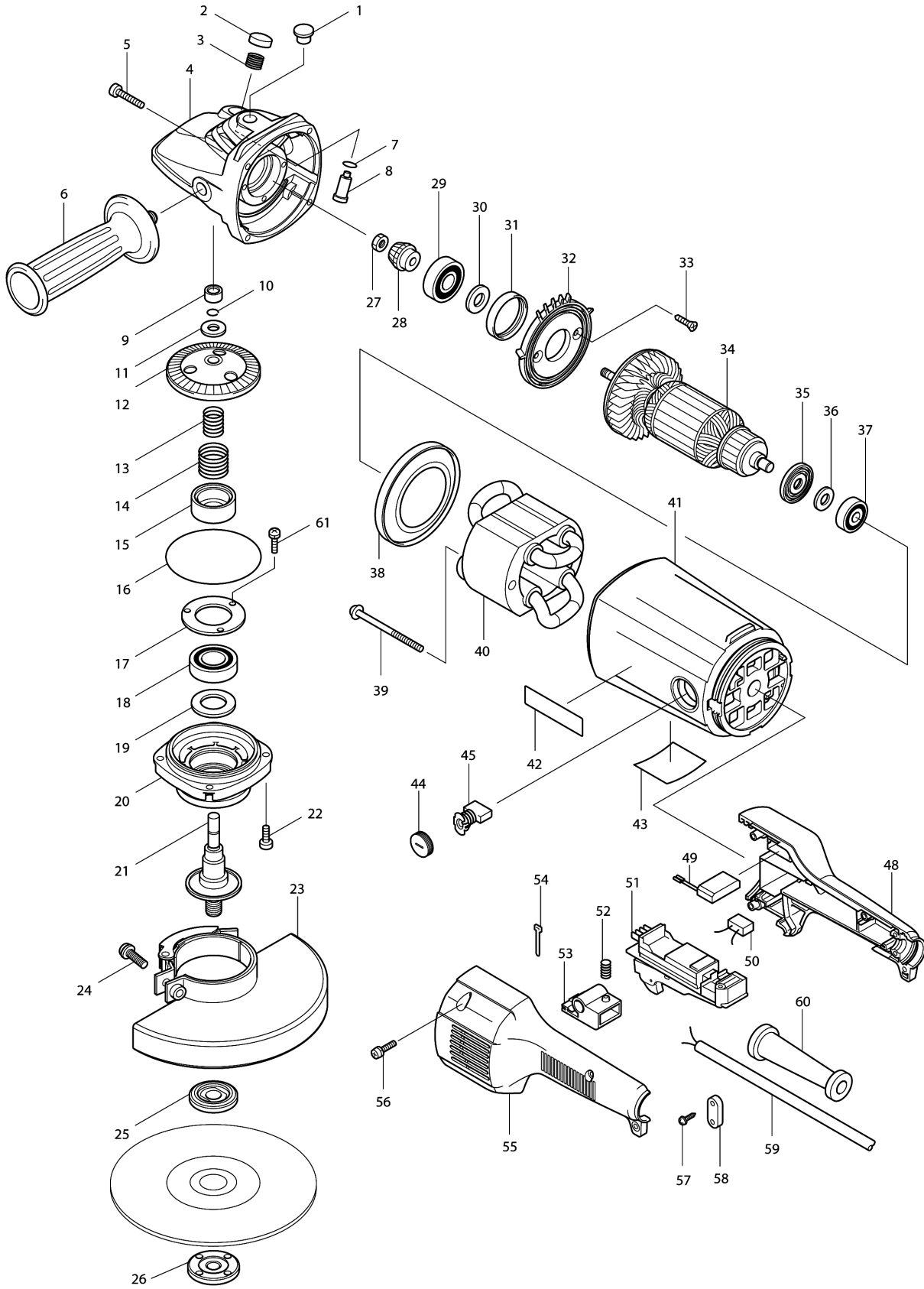


Model No.9079S 230MM ANGLE GRINDER



Model No.9079S 230MM ANGLE GRINDER

Item	Parts No.	Description	I/C	Qty	New/Old	Opt. 1	Opt. 2	Note
001	416972-3	CAP		1				
002	416971-5	PIN CAP		1				
003	233031-6	COMPRESSION SPRING 12		1				
004	151772-1	GEAR HOUSING COMPLETE		1				
C10	262084-8	FELT RING 18		1				
005	922261-1	HEX. SOCKET HEAD BOLT M5X40		4				
006	151776-3	GRIP 38 COMPLETE		1				
007	213011-8	O RING 7		1				
008	256455-9	PIN 11		1				
009	331566-2	SLEEVE 10		1				
010	231995-8	RING SPRING 9		1				
011	253878-2	FLAT WASHER 10		1				
012	226790-9	SPIRAL BEVEL GEAR 53		1				
013	231994-0	LOCK SPRING 17		1				
014	231993-2	LOCK SPRING 25		1				
015	323944-0	LOCK SLEEVE		1				
016	213757-6	O RING 80		1				
017	285836-0	BEARING RETAINER 50		1				
018	211326-7	BALL BEARING 6004DDW		1	*			
018-1	211326-7	BALL BEARING 6004DDW	O	1				
019	267041-1	FLAT WASHER 20		1				
020	151774-7	BEARING BOX COMPLETE		1				
C10	213360-3	OIL SEAL 25		1				
021	151777-1	SPINDLE COMPLETE		1				
C10	344611-4	LABYRINTH RING		1				
022	922221-3	HEX. SOCKET HEAD BOLT M5X16		4				
023	163411-1	WHEEL COVER		1				
024	265050-4	PAN HEAD SCREW M8X25		1	*			
024-1	265198-2	+PAN HEAD SCREW M8X25	O	1				
025A	224298-7	INNER FLANGE 42		1	*			
025-1A	224415-9	INNER FLANGE 42	<	1				
025A_B	122444-5	INNER FLANGE 47 ASS'Y		1				
026	224543-0	LOCK NUT 14-45		1				
027	931403-6	HEX. NUT M8		1				
028	226789-4	SPIRAL BEVEL GEAR 11		1				
029	211132-0	BALL BEARING 6301DDW		1				
030	267113-2	FLAT WASHER 12		1				
031	262085-6	RUBBER RING 38		1				
032	285835-2	BEARING RETAINER 47		1				
033	912222-9	COUNTERSUNK HEAD SCREW M5X16		2				
034	516798-4	ARMATURE ASS'Y 220-240V		1				

Please order the parts with part number.

Print Date 25/3/2020

Model No.9079S 230MM ANGLE GRINDER

Item	Parts No.	Description	I/C	Qty	New/Old	Opt. 1	Opt. 2	Note
C10	240025-4	FAN 80		1				
D10		INC. 35-37						
035	681630-2	INSULATION WASHER		1				
036	253001-9	FLAT WASHER 10		1				
037	211087-9	BALL BEARING 6200DDW		1				
038	416131-9	BAFFLE PLATE		1				
039	266029-8	TAPPING SCREW 5X65		2				
040A_	526089-5	FIELD ASS'Y 230-240V		1				
C10	654197-3	RING TERMINAL		2				
C20	654502-4	CONNECTOR P-2		2				
041	183147-6	MOTOR HOUSING SET		1				
C10	643712-8	BRUSH HOLDER		2				
D10		INC. 42						
042	819064-1	MAKITA MARK		2				
043	851719-2	NAME PLATE 9079S		1				
044	643700-5	BRUSH HOLDER CAP 7-18		2				
045	191957-7	A.C. CARBON BRUSH CB-204		1				
048	183117-5	HANDLE SET		1				
C10	421701-1	SPONGE SHEET		1				
D10		INC. 55						
049	631363-9	SOFT START CIRCUIT		1				
050	645200-1	NOISE SUPPRESSOR		1				
051	651147-9	SWITCH 1362.0102		1	*			
051-1	651178-8	SWITCH 1362.0112	O	1				
052	231402-1	COMPRESSION SPRING 7		1				
053	416998-5	LOCK BUTTON		1				
054	687010-0	BAND		1				
055	183117-5	HANDLE SET		1				
C10	421701-1	SPONGE SHEET		1				
D10		INC. 48						
056	911148-2	PAN HEAD SCREW M4X25		4				
057	265995-6	TAPPING SCREW 4X18		2				
058	687053-2	STRAIN RELIEF		1				
059	695123-3	POWER SUPPLY CORD 1.5-2-4.0		1				
060	682560-0	CORD GUARD 10		1				
061	911221-8	PAN HEAD SCREW M5X16		3				
A01	782407-9	LOCK NUT WRENCH 35		1				

Please order the parts with part number.

Print Date 25/3/2020