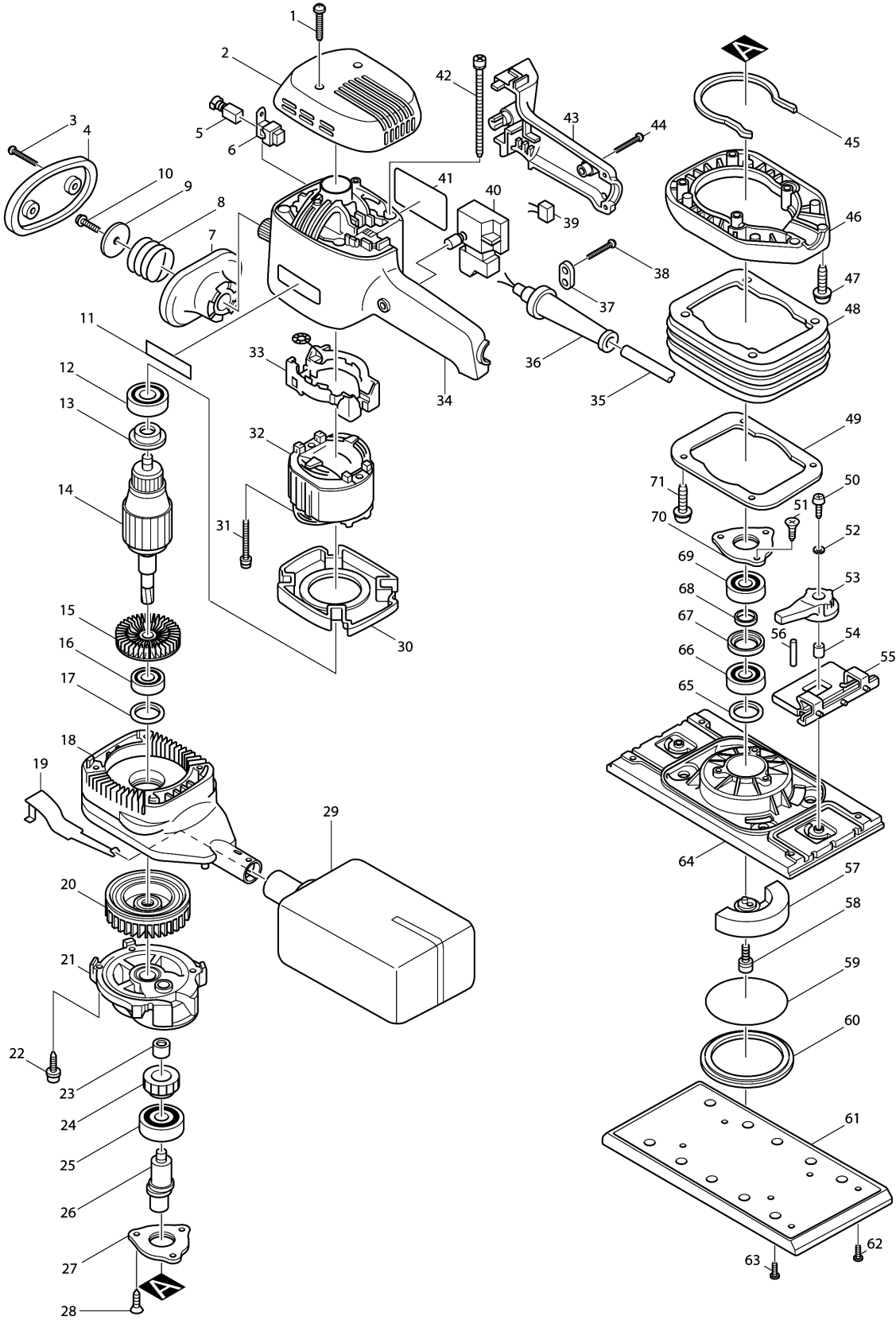


Model No.9046 ORBITAL SANDER



Model No.9046 ORBITAL SANDER

| Item | Parts No. | Description | I/C | Qty | New/Old | Opt. 1 | Opt. 2 | Note |
|-------|-----------|-----------------------------|-----|-----|---------|--------|--------|------|
| 001 | 265995-6 | TAPPING SCREW 4X18 | | 2 | | | | |
| 002 | 415709-5 | TOP COVER | | 1 | | | | |
| 003 | 265995-6 | TAPPING SCREW 4X18 | | 2 | | | | |
| 004 | 415723-1 | GRIP COVER | | 1 | | | | |
| 005A_ | 191962-4 | CARBON BRUSH CB-419 | | 1 | | | | |
| 006 | 643923-5 | BRUSH HOLDER | | 2 | | | | |
| 007 | 415717-6 | GRIP BASE | | 1 | | | | |
| 008 | 231463-1 | COMPRESSION SPRING 24 | | 1 | | | | |
| 009 | 267136-0 | FLAT WASHER 5 | | 1 | | | | |
| 010 | 266021-4 | TAPPING SCREW 5X20 | | 1 | | | | |
| 011 | 819063-3 | MAKITA LABEL | | 1 | | | | |
| 012 | 211033-2 | BALL BEARING 608LB | | 1 | | | | |
| 013 | 681625-5 | INSULATION WASHER | | 1 | | | | |
| 014C_ | 516213-8 | ARMATURE ASS'Y 220V | | 1 | | | | |
| D10 | | INC. 12,13,15,16 | | | | | | |
| 015 | 241879-2 | FAN 60 | | 1 | | | | |
| 016 | 211129-9 | BALL BEARING 6201DDW | | 1 | | | | |
| 017 | 267127-1 | FLAT WASHER 26 | | 1 | | | | |
| 018 | 415567-9 | SCROLL HOUSING | | 1 | | | | |
| 019 | 344230-6 | EARTH PLATE | | 1 | | | | |
| 020 | 241880-7 | FAN 68 | | 1 | | | | |
| 021 | 316621-1 | GEAR BOX | | 1 | * | | | |
| 021-1 | 317389-2 | GEAR BOX | S | 1 | | | | |
| 022 | 266045-0 | TAPPING SCREW 4X20 | | 4 | | | | |
| 023 | 212004-2 | NEEDLE BEARING 810 | | 1 | | | | |
| 024 | 226430-9 | HELICAL GEAR 39 | | 1 | | | | |
| 025 | 211278-2 | BALL BEARING 6203DDW | | 1 | | | | |
| 026 | 322708-9 | CRANK SHAFT | | 1 | | | | |
| 027 | 162171-2 | BEARING RETAINER 24 | | 1 | | | | |
| 028 | 266058-1 | TAPPING SCREW CT 4X12 | | 3 | | | | |
| 029 | 152456-4 | DUST BAG COMPLETE | | 1 | * | | | |
| 030 | 415561-1 | BAFFLE PLATE | | 1 | | | | |
| 031 | 266056-5 | TAPPING SCREW 5X45 | | 2 | | | | |
| 032C_ | 634223-4 | FIELD 220V | | 1 | | | | |
| 033 | 632514-7 | SUPPORT COMPLETE | | 1 | | | | |
| 034 | 415566-1 | MOTOR HOUSING | | 1 | | | | |
| 035P_ | 665890-4 | POWER SUPPLY CORD 1.0-2-4.0 | | 1 | | | | |
| 036B_ | 682516-3 | CORD GUARD 9.3-85 | | 1 | * | | | |
| 036B1 | 682504-0 | CORD GUARD 10-85 | O | 1 | | | | |
| 037C_ | 687063-9 | CORD CLAMP | | 1 | * | | | |
| 037C1 | 687052-4 | STRAIN RELIEF | X | 1 | | | | |
| 038 | 265995-6 | TAPPING SCREW 4X18 | | 2 | | | | |

Please order the parts with part number.

Print Date 25/3/2020

Model No.9046 ORBITAL SANDER

| Item | Parts No. | Description | I/C | Qty | New/Old | Opt. 1 | Opt. 2 | Note |
|-------|-----------|--------------------------------|-----|-----|---------|--------|--------|------|
| 039B_ | 645200-1 | NOISE SUPPRESSOR | | 1 | | | | |
| 040 | 651263-7 | SWITCH SGEL206C | | 1 | | | | |
| 041 | 857628-3 | NAME PLATE 9046 | | 1 | | | | |
| 042 | 266057-3 | TAPPING SCREW BIND BT 5X90 | | 4 | | | | |
| 043 | 415565-3 | HANDLE COVER | | 1 | | | | |
| 044 | 265995-6 | TAPPING SCREW 4X18 | | 2 | | | | |
| 045 | 421496-6 | PACKING | | 1 | | | | |
| 046 | 415563-7 | SCROLL COVER | | 1 | | | | |
| 047 | 266020-6 | TAPPING SCREW 4X12 | | 2 | | | | |
| 048 | 165096-9 | RUBBER SLEEVE | | 1 | | | | |
| 049 | 344143-1 | PLATE | | 1 | | | | |
| 050 | 266042-6 | TAPPING SCREW BIND CT 4X20 | | 2 | | | | |
| 051 | 266058-1 | TAPPING SCREW CT 4X12 | | 3 | | | | |
| 052 | 253874-0 | FLAT WASHER 4 | | 2 | | | | |
| 053 | 415559-8 | CLAMP LEVER | | 2 | | | | |
| 054 | 257659-6 | SLEEVE 4 | | 2 | | | | |
| 055 | 152457-2 | PAPER CLAMP COMPLETE | | 2 | | | | |
| C10 | 421498-2 | CLAMP RUBBER | | 2 | | | | |
| 056 | 256104-8 | PIN 3 | | 4 | | | | |
| 057 | 316619-8 | BALANCER | | 1 | | | | |
| 058 | 266071-9 | HEX. SOCKET HEAD BOLT M5X16 | | 1 | | | | |
| 059 | 213755-0 | O RING 75 | | 1 | | | | |
| 060 | 344142-3 | UNDER COVER | | 1 | | | | |
| 061 | 162172-0 | PAD | | 1 | | | | |
| 062 | 266026-4 | TAPPING SCREW BIND CT 4X12 | | 4 | | | | |
| 063 | 266026-4 | TAPPING SCREW BIND CT 4X12 | | 4 | | | | |
| 064 | 316620-3 | BASE | | 1 | | | | |
| 065 | 267127-1 | FLAT WASHER 26 | | 1 | | | | |
| 066 | 211227-9 | BALL BEARING 6002DDW | | 1 | * | | | |
| 066-1 | 211236-8 | BALL BEARING 6002DDW | O | 1 | | | | |
| 067 | 257189-7 | RING 19 | | 1 | | | | |
| 068 | 257188-9 | RING 15 | | 1 | | | | |
| 069 | 211227-9 | BALL BEARING 6002DDW | | 1 | * | | | |
| 069-1 | 211236-8 | BALL BEARING 6002DDW | O | 1 | | | | |
| 070 | 162171-2 | BEARING RETAINER 24 | | 1 | | | | |
| 071-1 | 266192-7 | TAPPING SCREW 4X14 | | 4 | | | | |
| 072 | 262547-4 | FELT RING 20 | | 1 | | | | |
| A01 | A-14065 | ABRASIVE PAPER 115-60 /STD | | 1 | | | | |
| A02 | A-14087 | ABRASIVE PAPER 115-100 /STD | | 1 | | | | |

Model No.9046 ORBITAL SANDER

| Item | Parts No. | Description | I/C | Qty | New/Old | Opt. 1 | Opt. 2 | Note |
|------|-----------|--------------------------------|-----|-----|---------|--------|--------|------|
| A03 | A-14102 | ABRASIVE PAPER 115-150 /STD | | 1 | | | | |
| A04 | 193294-5 | PAPER DUST BAG HOLDER | | 1 | | | | |
| A05 | 193293-7 | PAPER DUST BAG | | 1 | | | | |
| E01 | 322768-1 | EARTH WIRE | | 1 | | | | |
| E02 | 652259-1 | CLAMP WASHER | | 4 | * | | | |
| E03 | 654077-3 | INSULATED TERMINAL FK2-M3D-5.5 | | 2 | | | | |
| E07 | 646077-7 | CHOKE COIL | | 1 | | | | |

Please order the parts with part number.

Print Date 25/3/2020