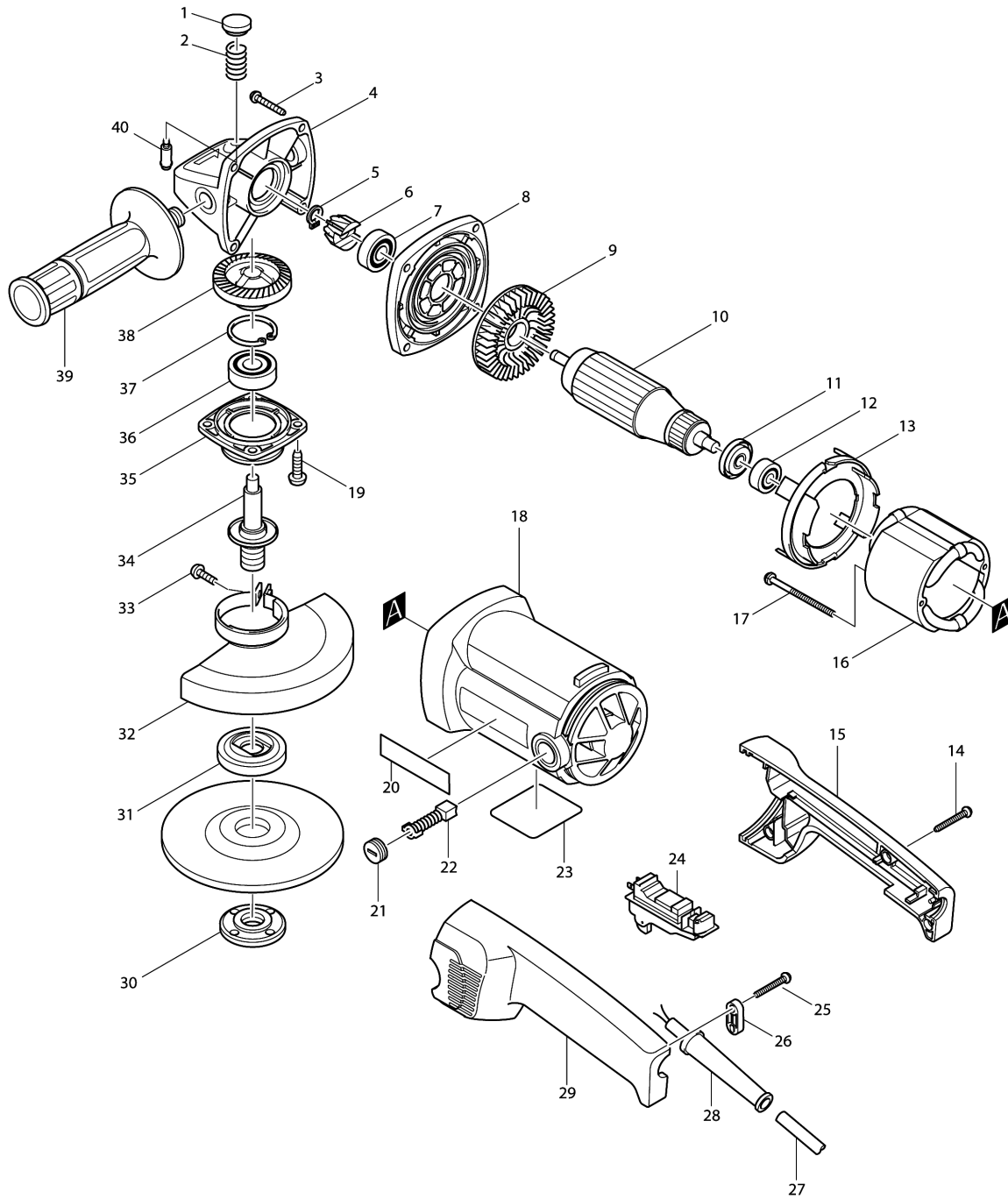


Model No.9015B 125MM ANGLE GRINDER



Model No.9015B 125MM ANGLE GRINDER

Item	Parts No.	Description	I/C	Qty	New/Old	Opt. 1	Opt. 2	Note
001	416449-8	PIN CAP		1				
002	233089-5	COMPRESSION SPRING 12		1				
003	266173-1	TAPPING SCREW 5X30		4				
004	159995-5	GEAR HOUSING COMPLETE		1	*			
004-1	153374-9	GEAR HOUSING COMPLETE	S	1				
005	961003-8	RETAINING RING S-7		1				
006-2	183017-9	SPIRAL BEVEL GEAR SET		1	*			
C10	226769-0	SPIRAL BEVEL GEAR 12		1	*			
C20	226768-2	SPIRAL BEVEL GEAR 33		1	*			
D10		INC. 38			*			
006-3	183053-5	SPIRAL BEVEL GEAR SET	X	1	*			
C10	226755-1	SPIRAL BEVEL GEAR 12		1	*			
C20	226753-5	SPIRAL BEVEL GEAR 33		1	*			
D10		INC. 38			*			
006-4	183053-5	SPIRAL BEVEL GEAR SET	O	1	*			
C10	226755-1	SPIRAL BEVEL GEAR 12		1	*			
C20	226753-5	SPIRAL BEVEL GEAR 33		1	*			
D10		INC. 38			*			
006-5	183053-5	SPIRAL BEVEL GEAR SET	O	1				
C10	226755-1	SPIRAL BEVEL GEAR 12		1				
C20	226753-5	SPIRAL BEVEL GEAR 33		1				
D10		INC. 38						
007	211131-2	BALL BEARING 6001DDW		1				
008	316992-6	GEAR HOUSING COVER		1	*			
008-1	317323-2	GEAR HOUSING COVER	S	1				
009	240010-7	FAN 70		1				
010C_	516334-6	ARMATURE ASS'Y 230-240V		1				
D10		INC. 9,11,12						
011	681644-1	INSULATION WASHER		1				
012	210005-4	BALL BEARING 608DDW		1				
013	416448-0	BAFFLE PLATE		1				
014	265995-6	TAPPING SCREW 4X18		4				
015	182990-0	HANDLE SET		1				
D10		INC. 29						
016B_	522838-8	FIELD ASS'Y 220-240V		1	*			
C10	654020-2	RING TERMINAL		2	*			
C20	654501-6	CONNECTOR P-1.25		2	*			
016B1	522838-8	FIELD ASS'Y 220-240V	O	1				
C10	654020-2	RING TERMINAL		2				
C20	654501-6	CONNECTOR P-1.25		2				
017	266029-8	TAPPING SCREW 5X65		2				
018	159996-3	MOTOR HOUSING COMPLETE		1	*			

Please order the parts with part number.

Print Date 18/6/2019

Model No.9015B 125MM ANGLE GRINDER

Item	Parts No.	Description	I/C	Qty	New/Old	Opt. 1	Opt. 2	Note
C10	643708-9	BRUSH HOLDER 5-11		2	*			
018-1	183159-9	MOTOR HOUSING	O	1				
C10	643708-9	BRUSH HOLDER 5-11		2				
D10		INC. 20						
019	266027-2	TAPPING SCREW CT5X16		4	*			
019-1	265096-0	PAN HEAD SCREW M5X16	S	4				
020	819001-5	MAKITA LABEL		2				
021	643750-0	BRUSH HOLDER CAP 7-11		2	*			
021-1	643515-0	HOLDER CAP 7-11	O	2				
022	191963-2	CARBON BRUSH CB-303		1				
023	859284-5	NAME PLATE 9015B		1				
024A_	651146-1	SWITCH 1267.5102		1	*			
024A1	650100-2	SWITCH TG08-1300-011	O	1				
025	265995-6	TAPPING SCREW 4X18		2				
026C_	687063-9	CORD CLAMP		1	*			
026C1	687052-4	STRAIN RELIEF	X	1				
027O_	665890-4	POWER SUPPLY CORD 1.0-2-4.0		1				
028	682503-2	CORD GUARD 8-90		1	*			
028-1	682505-8	CORD GUARD 10-90	<	1				
029	182990-0	HANDLE SET		1				
D10		INC. 15						
030A_	224554-5	LOCK NUT 14-45		1				
031A_	224298-7	INNER FLANGE 42		1	*			
031A1	224415-9	INNER FLANGE 42	<	1				
032	165055-3	WHEEL COVER		1	*			
032-1	125097-9	WHEEL COVER ASS'Y	O	1				
D10		INC. 33						
033	251391-4	PAN HEAD SCREW M5X16		1				
034A_	152572-2	SPINDLE COMPLETE		1				
C10	344347-5	LABYRINTH RING		1				
035	316991-8	BEARING BOX		1				
036	211129-9	BALL BEARING 6201DDW		1	*			
036-1	211146-9	BALL BEARING 6201DDW	O	1	*			
036-2	211129-9	BALL BEARING 6201DDW	O	1				
037	962151-6	RETAINING RING R-32		1				
038-2	183017-9	SPIRAL BEVEL GEAR SET		1	*			
C10	226768-2	SPIRAL BEVEL GEAR 33		1	*			
C20	226769-0	SPIRAL BEVEL GEAR 12		1	*			
D10		INC. 6			*			
038-3	183053-5	SPIRAL BEVEL GEAR SET	X	1	*			
C10	226753-5	SPIRAL BEVEL GEAR 33		1	*			
C20	226755-1	SPIRAL BEVEL GEAR 12		1	*			

Please order the parts with part number.

Print Date 18/6/2019

Model No.9015B 125MM ANGLE GRINDER

Item	Parts No.	Description	I/C	Qty	New/Old	Opt. 1	Opt. 2	Note
D10		INC. 6			*			
038-4	183053-5	SPIRAL BEVEL GEAR SET	O	1	*			
C10	226753-5	SPIRAL BEVEL GEAR 33		1	*			
C20	226755-1	SPIRAL BEVEL GEAR 12		1	*			
D10		INC. 6			*			
038-5	183053-5	SPIRAL BEVEL GEAR SET	O	1				
C10	226753-5	SPIRAL BEVEL GEAR 33		1				
C20	226755-1	SPIRAL BEVEL GEAR 12		1				
D10		INC. 6						
039	152492-0	GRIP 36 COMPLETE		1				
040	256446-0	PIN 6		1				
041	262086-4	RUBBER RING 29		1				
042	442126-6	GASKET		1				
A01A_	782407-9	LOCK NUT WRENCH 35		1				
A02	A-83674	DEPRESSED CENTER WHEEL 125MM		1	*			
E01	645214-0	NOISE SUPPRESSOR		1	*			
E01-1	645088-9	NOISE SUPPRESSOR	O	1				

Please order the parts with part number.

Print Date 18/6/2019