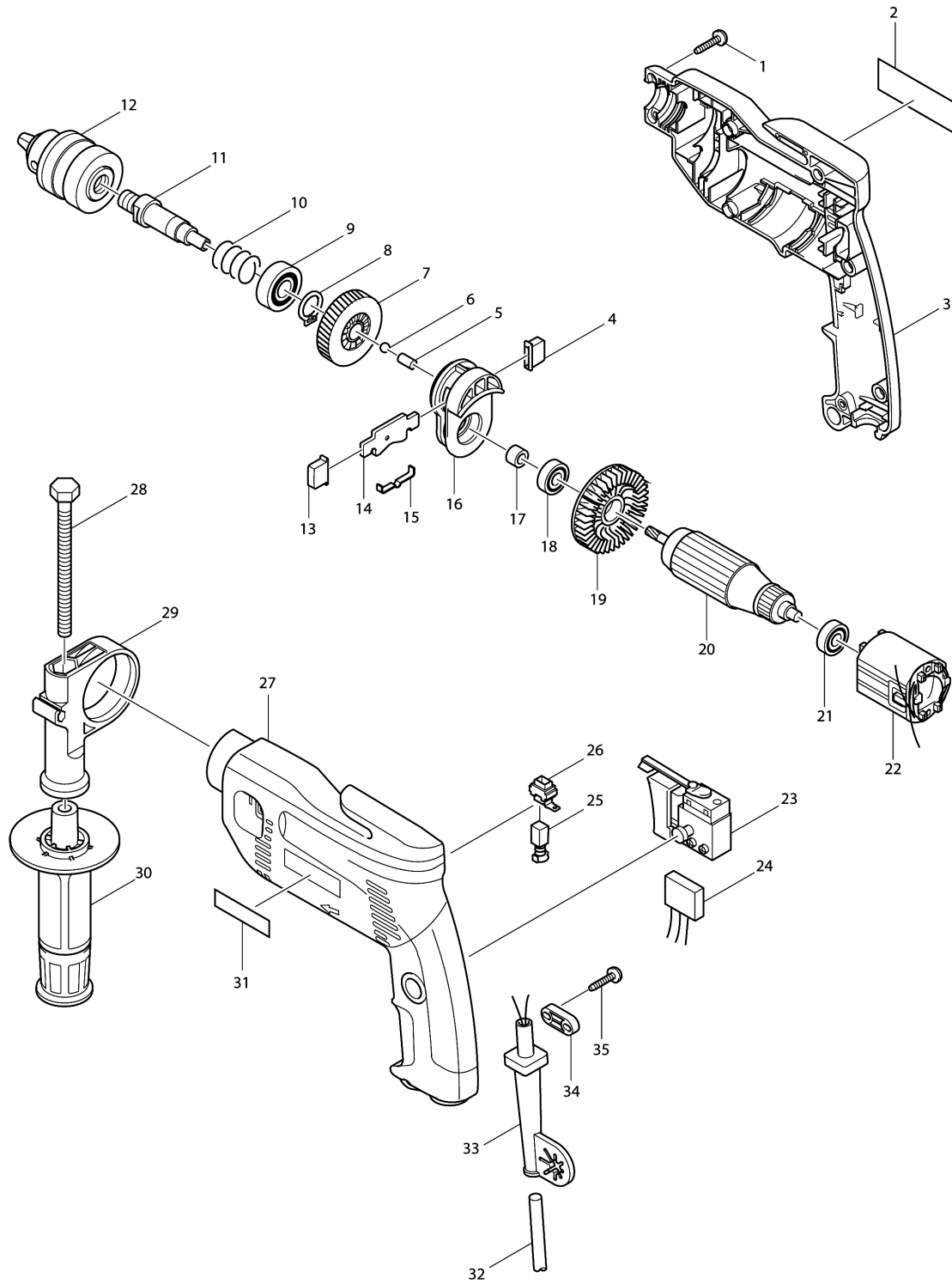


Model No.8450 HAMMER DRILL 15MM



Model No.8450 HAMMER DRILL 15MM

Item	Parts No.	Description	I/C	Qty	New/Old	Opt. 1	Opt. 2	Note
001	266121-0	TAPPING SCREW FLANGE PF 4X18		8	*			
001-1	265995-6	TAPPING SCREW 4X18	O	8				
002	859407-5	NAME PLATE 8450		1				
003	182963-3	HOUSING SET		1				
D10		INC. 27,31						
004	415453-4	CHANGE BUTTON		1				
005	256251-5	PIN 4		1				
006	216001-0	STEEL BALL 3.5		1				
007	226423-6	HELICAL GEAR 41		1				
008	961055-9	RETAINING RING S-15		1				
009	211201-7	BALL BEARING 6002LLB		1				
010	233091-8	COMPRESSION SPRING 16		1				
011	323757-9	SPINDLE		1				
012	763115-1	DRILL CHUCK S13		1	*			
012-1	763142-8	DRILL CHUCK S13	O	1				
013	415453-4	CHANGE BUTTON		1				
014	344419-6	CHANGE PLATE		1				
015	232134-3	LEAF SPRING		1				
016	152529-3	CAM HOLDER COMPLETE		1				
017	262528-8	SLEEVE 7		1				
018	211033-2	BALL BEARING 608LB		1				
019	241869-5	FAN 55		1	*			
019-1	240067-8	FAN 55	X	1				
020A	517108-8	ARMATURE ASS'Y 220-240V		1				
020B	517108-8	ARMATURE ASS'Y 220-240V		1				
020C	517108-8	ARMATURE ASS'Y 220-240V		1				
020D	517108-8	ARMATURE ASS'Y 220-240V		1				
020E	517108-8	ARMATURE ASS'Y 220-240V		1				
D10		INC. 18,19,21						
021	211028-5	BALL BEARING 627LB		1				
022A	633303-3	FIELD 220V		1				
022B	633303-3	FIELD 220V		1				
022C	633303-3	FIELD 220V		1				
022D	633303-3	FIELD 220V		1				
022E	633303-3	FIELD 220V		1				
023A	651952-4	SWITCH 8653C721AD 200V-240V		1	*			
023B	651952-4	SWITCH 8653C721AD 200V-240V		1	*			
023D	651952-4	SWITCH 8653C721AD 200V-240V		1	*			
023E	651952-4	SWITCH 8653C721AD 200V-240V		1	*			
023-1	651986-7	SWITCH TG803TLB-1	X	1	*			

Please order the parts with part number.

Print Date 18/6/2019

Model No.8450 HAMMER DRILL 15MM

Item	Parts No.	Description	I/C	Qty	New/Old	Opt. 1	Opt. 2	Note
023-2	651986-7	SWITCH TG803TLB-1	X	1				
024	645256-4	NOISE SUPPRESSOR		1	*			
024-1	645144-5	NOISE SUPPRESSOR	O	1				
025	191962-4	CARBON BRUSH CB-419		1				
026	643936-6	BRUSH HOLDER		2				
027	182963-3	HOUSING SET		1				
D10		INC. 3,31						
028	921919-9	HEX. BOLT M8X110		1	*			
028-1	921923-8	HEX. BOLT M8X120	O	1				
029	415485-1	GRIP BASE		1				
030	152489-9	GRIP 36 COMPLETE		1				
031	819063-3	MAKITA LABEL		1				
032A	666053-5	POWER SUPPLY CORD 1.0-2-2.0		1				
032B	666053-5	POWER SUPPLY CORD 1.0-2-2.0		1				
032C	666053-5	POWER SUPPLY CORD 1.0-2-2.0		1				
032D	666053-5	POWER SUPPLY CORD 1.0-2-2.0		1				
032E	666053-5	POWER SUPPLY CORD 1.0-2-2.0		1				
033	682549-8	CORD GUARD 8-85		1				
034	687063-9	CORD CLAMP		1				
035	266121-0	TAPPING SCREW FLANGE PF 4X18		2	*			
035-1	265995-6	TAPPING SCREW 4X18	O	2				
A01	415486-9	DEPTH GAUGE		1				
A02	763430-3	CHUCK KEY S13		1	*			
A02-1	763440-0	CHUCK KEY S13	O	1				
A03C	824605-0	PLASTIC CARRYING CASE		1				
C10	824586-8	PLASTIC CASE COVER		1				
C20	824587-6	PLASTIC CASE OUTER		1				
C30	824588-4	TRAY		1				
C40	183336-3	LATCH SET		1				
A04C	824631-9	INNER TRAY		1				
A04E	824631-9	INNER TRAY		1				
A05E	193290-3	DRILL BIT SET		1				
E01A	539126-6	CHOKE COIL ASS'Y		1				
E01C	539126-6	CHOKE COIL ASS'Y		1				
E01E	539126-6	CHOKE COIL ASS'Y		1				
E02A	539134-7	CHOKE COIL ASS'Y		1				
E02C	539134-7	CHOKE COIL ASS'Y		1				
E02E	539134-7	CHOKE COIL ASS'Y		1				
E04A	654111-9	EARTH TERMINAL		1				
E04C	654111-9	EARTH TERMINAL		1				

Please order the parts with part number.

Print Date 18/6/2019

Model No.8450 HAMMER DRILL 15MM

Item	Parts No.	Description	I/C	Qty	New/Old	Opt. 1	Opt. 2	Note
E04E	654111-9	EARTH TERMINAL		1				
E05A	654556-1	CONNECTOR		1				
E05C	654556-1	CONNECTOR		1				
E05E	654556-1	CONNECTOR		1				
E10B	182992-6	PLASTIC CARRYING CASE SET		1	*			
C10	183091-7	SLIDE LATCH RL SET		1	*			
E10-1B	824724-2	PLASTIC CARRYING CASE	O	1	*			
C10	183091-7	SLIDE LATCH RL SET		1	*			
E10-2B	824923-6	PLASTIC CARRYING CASE	O	1				
C10	183091-7	SLIDE LATCH RL SET		1				
E10A_D	824622-0	PLASTIC CARRYING CASE		1				
C10	417692-2	LATCH		2				
E10A_E	824622-0	PLASTIC CARRYING CASE		1				
C10	417692-2	LATCH		2				

Please order the parts with part number.

Print Date 18/6/2019