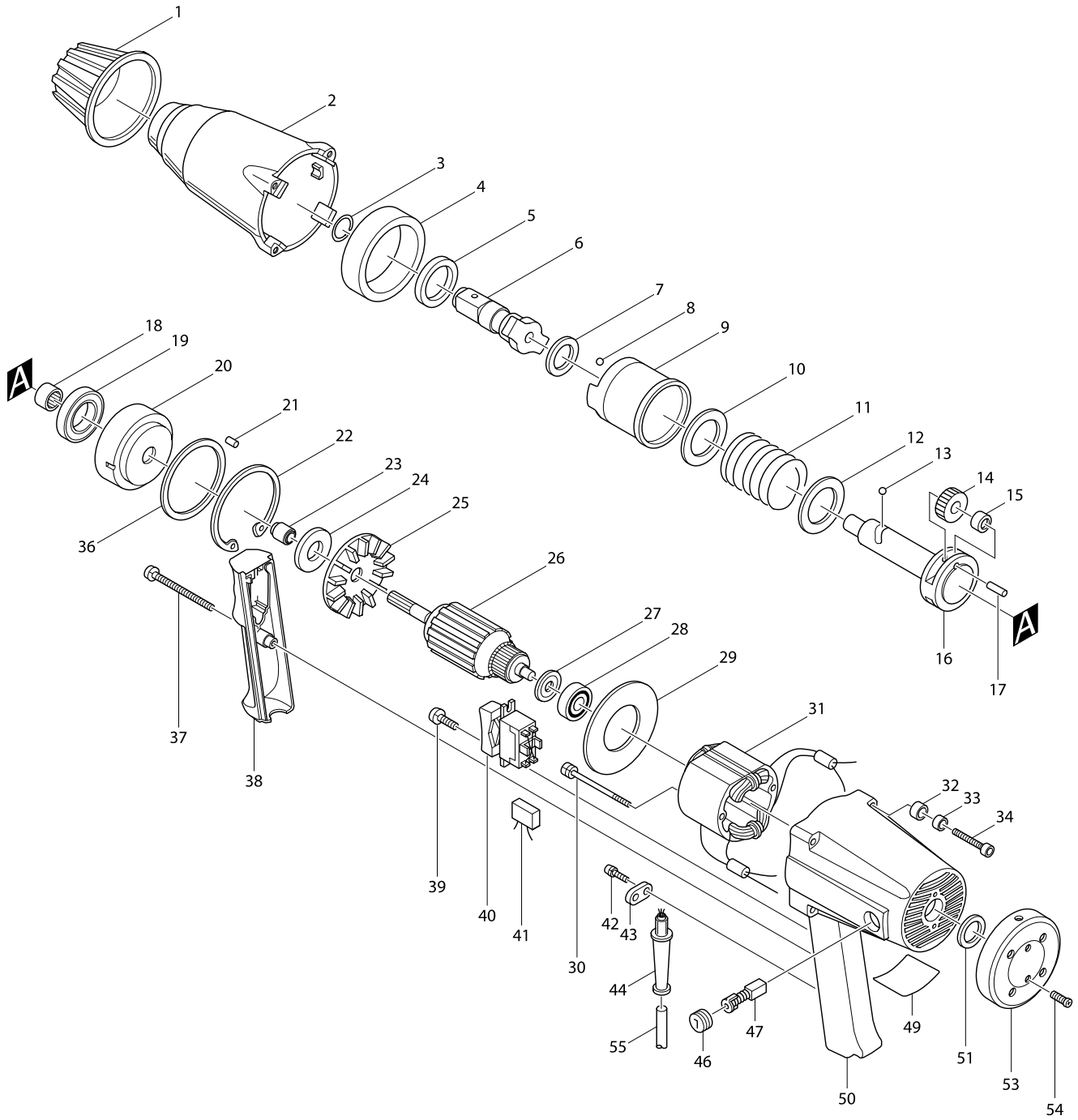


Model No. 6906 IMPACT WRENCH



Model No. 6906 IMPACT WRENCH

Item	Parts No.	Description	I/C	Qty	N/O	Opt. 1	Opt. 2	Note
001	421112-0	BUMPER		1				
002-1	156087-1	HAMMER CASE		1				
C10	213360-3	OIL SEAL 25		1				
C21	257535-4	SLEEVE 25		1				
003	231920-9	RING SPRING 16		1				
004	257040-1	RING 65		1				
005	253939-8	FLAT WASHER 25		1				
006	325586-6	ANVIL		1	*			
006-1	324231-0	ANVIL	<	1				
007	261023-5	WASHER 27		1				
008	216008-6	STEEL BALL 4		30				
009	325318-1	HAMMER		1				
010	253764-7	FLAT WASHER 30		1				
011	231135-8	COMPRESSION SPRING 37		1				
012	253765-5	FLAT WASHER 36		1				
013	216009-4	STEEL BALL 7.1		2				
014	221243-3	SPUR GEAR 29		2				
015	212011-5	NEEDLE BEARING 609		2				
016	325322-0	SPINDLE		1				
017	256041-6	PIN 6		2				
018	212151-9	NEEDLE BEARING 1412		1				
019	211441-7	BALL BEARING 3009		1				
020	221242-5	INTERNAL GEAR 65		1				
021	256040-8	PIN 5		4				
022	962352-6	RETAINING RING R-75		1				
023	216103-2	INNER SLEEVE 1016		1				
024	253180-3	FLAT WASHER 10		1				
025	241609-1	FAN 73		1				
026C1	512883-1	ARMATURE ASS'Y 220V		1				
D10		INC. 23-28						
027	681613-2	INSULATION WASHER		1				
028	211031-6	BALL BEARING 608LLB		1				
029	413008-9	BAFFLE PLATE		1				
030-1	265350-2	+ HEX. BOLT M5X70		2				
031K_	527419-3	FIELD ASS'Y 220V		1				
C10	654019-7	RING TERMINAL		2				
C20	654501-6	CONNECTOR P-1.25		2				
032	253929-1	CUP WASHER 5		4				
033	262001-8	URETHANE RING 5		4				
034	922262-9	HEX. SOCKET HEAD BOLT M5X40		4				
036	253774-4	FLAT WASHER 65		1				
037	911173-3	PAN HEAD SCREW M4X45		1				
038-1	414959-9	HANDLE COVER		1				
039	911106-8	PAN HEAD SCREW M4X8		1				
040-2	651564-3	SWITCH SL220SD-4		1				
041C_	645206-9	NOISE SUPPRESSOR		1				
042-1	911133-5	PAN HEAD SCREW M4X18		2				
043C_	687031-2	STRAIN RELIEF		1				

Model No. 6906 IMPACT WRENCH

Item	Parts No.	Description	I/C	Qty	N/O	Opt. 1	Opt. 2	Note
044A3	682540-6	CORD GUARD 9.3-90		1				
046	643600-9	BRUSH HOLDER CAP 6-10		2				
047	181030-1	CARBON BRUSH CB-100		1				
049	815088-5	NAME PLATE 6906		1				
050-2	159414-1	MOTOR HOUSING		1				
C10	643603-3	BRUSH HOLDER 6-10		2				
051	262010-7	URETHANE RING 18		1				
053-1	284065-2	REAR COVER		1				
054-1	922221-3	HEX. SOCKET HEAD BOLT M5X16		2				
055C_	665865-3	POWER SUPPLY CORD 1.0-2-2.5		1				
400-1	273474-0	GRIP 37		1				
401	312700-3	GRIP BASE		1				
402	345086-0	BELT		1				
403	251920-3	CAP SQUARE NECK BOLT M6X30		1				
404	133183-2	SOCKET 32-56		1	*			
C10	213506-1	O RING 36		1	*			
C20	256089-8	PIN 5		1	*			
404-1	134871-4	SOCKET 32-52 ASS'Y	O	1				
C10	213514-2	O RING 38		1				
C20	256282-4	PIN 4		1				
406-3	182604-1	STEEL CARRYING CASE		1	*			
C10	819033-2	MAKITA LABEL		1	*			
406-4	182604-1	STEEL CARRYING CASE	O	1				
C10	819143-5	MAKITA LABEL		1				
500-1	122464-9	GRIP ASS'Y		1				
D10		INC. 400-403						
501	132389-9	ANVIL ASS'Y		1	*			
D10		INC. 3,6			*			
501-1	134946-9	ANVIL ASS'Y	<	1				
D10		INC. 3,6						
900	911111-5	PAN HEAD SCREW M4X10 WITH W		2				
902	646325-4	LINE COIL		1	*			
904	685700-9	SPONGE SHEET		1				
907	654526-0	TERMINAL PLATE		2				
908	819064-1	MAKITA MARK		1				