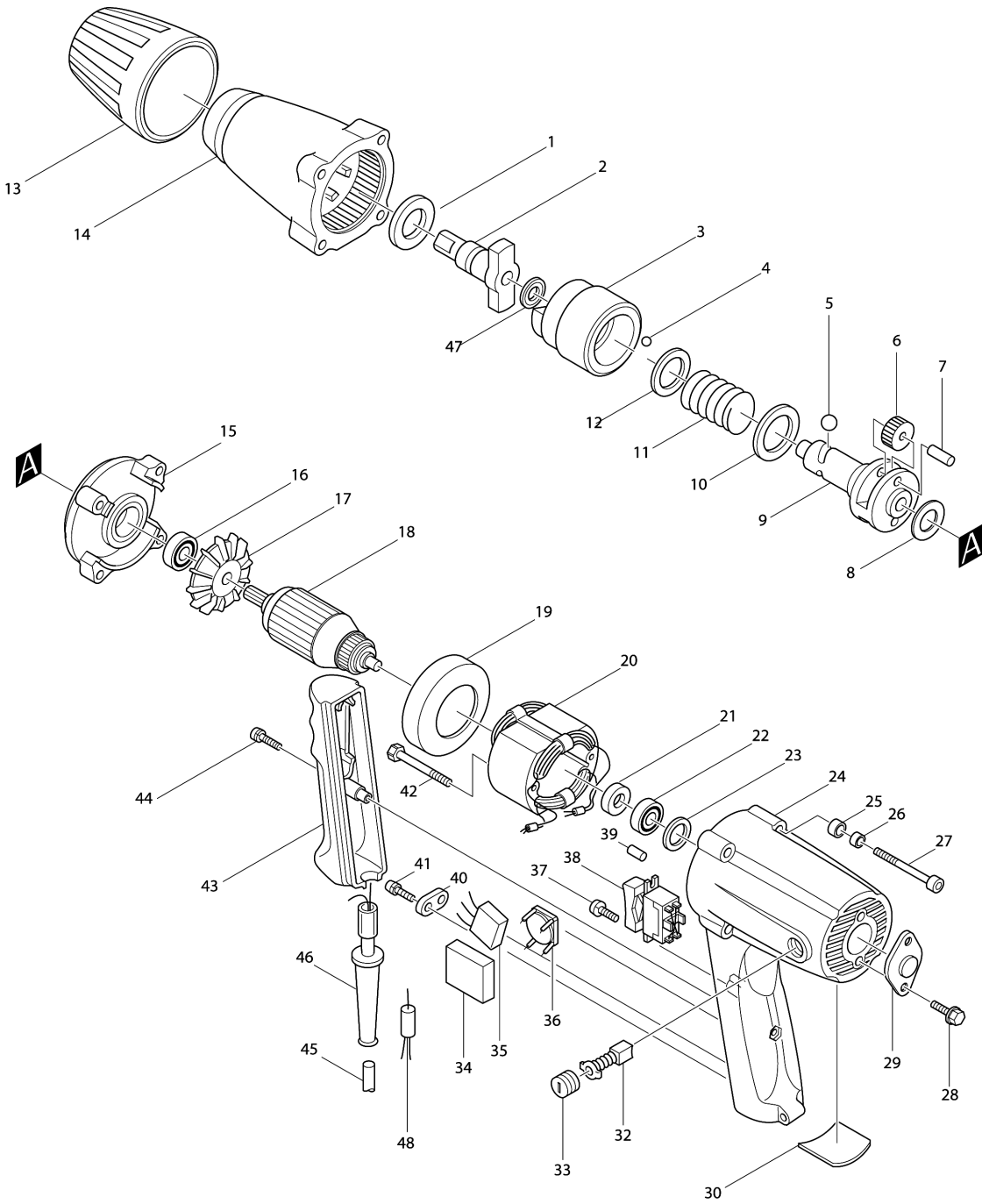


Model No.6905B IMPACT WRENCH



Model No.6905B IMPACT WRENCH

Item	Parts No.	Description	I/C	Qty	New/Old	Opt. 1	Opt. 2	Note
001	253937-2	FLAT WASHER 18		1				
002	132311-6	ANVIL ASS'Y		1				
D10		INC. 47						
003-1	322246-1	HAMMER		1				
004	216008-6	STEEL BALL 4		20				
005	216007-8	STEEL BALL 6.4		2				
006	221849-7	SPUR GEAR 33		2				
007	256033-5	PIN 6		2				
008	253794-8	FLAT WASHER 18		1				
009	321118-7	SPINDLE		1				
010	253751-6	FLAT WASHER 24		1				
011	231261-3	COMPRESSION SPRING 24		1				
012	253793-0	FLAT WASHER 22		1				
013	421157-8	BUMPER		1				
014-1	156544-9	HAMMER CASE		1				
C10	213257-6	OIL SEAL 18		1				
C20	221850-2	INTERNAL GEAR 73		1				
C30	321119-5	SLEEVE 18		1				
015	152145-1	BEARING HOUSING COMPLETE		1				
016	211031-6	BALL BEARING 608LLB		1				
017	241622-9	FAN 62		1				
018F_	518143-9	ARMATURE ASS'Y 220V		1				
D10		INC. 16,17,21,22						
019	411601-3	BAFFLE PLATE		1				
020K_	528167-7	FIELD ASS'Y 220V		1				
C10	654018-9	RING TERMINAL		2				
C20	654501-6	CONNECTOR P-1.25		2				
021	681614-0	INSULATION WASHER		1				
022	211026-9	BALL BEARING 627LLB		1	*			
022-1	210025-8	BALL BEARING 627LLB	O	1				
023	262010-7	URETHANE RING 18		1				
024-1	159161-4	MOTOR HOUSING		1				
C10	643557-4	BRUSH HOLDER 5-8		2				
D10		INC. 39						
025	253929-1	CUP WASHER 5		4				
026	262001-8	URETHANE RING 5		4				
027	922903-7	HEX. SOCKET HEAD BOLT M5X50		4				
028	921226-0	HEX. BOLT M5X18		2				
029	285015-0	BEARING COVER 34		1				
030	815442-3	NAME PLATE 6905B		1				
032A_	191628-6	CARBON BRUSH CB-65		1				

Model No.6905B IMPACT WRENCH

Item	Parts No.	Description	I/C	Qty	New/Old	Opt. 1	Opt. 2	Note
033	643550-8	BRUSH HOLDER CAP 5-8		2				
034	685700-9	SPONGE SHEET		1				
035H_	645006-7	NOISE SUPPRESSOR		1				
036B_	646325-4	LINE COIL		1				
037	911106-8	PAN HEAD SCREW M4X8		1				
038-1	651558-8	SWITCH SL220SD-4		1	*			
038-2	651564-3	SWITCH SL220SD-4	O	1				
039	263002-9	RUBBER PIN 4		1				
040C_	687031-2	STRAIN RELIEF		1				
041-1	911133-5	PAN HEAD SCREW M4X18		2				
042-1	265349-7	+ HEX. BOLT M4X50		2				
043	411600-5	HANDLE COVER		1				
044	911168-6	PAN HEAD SCREW M4X40		1				
045O1	665865-3	POWER SUPPLY CORD 1.0-2-2.5		1				
046B_	682516-3	CORD GUARD 9.3-85		1	*			
046B1	682504-0	CORD GUARD 10-85	O	1				
047	231907-1	RING SPRING 10		1	*			
047-1	261074-8	NYLON WASHER 22	<	1				
048	261074-8	NYLON WASHER 22		1	*			
400-1	134831-6	SOCKET 19-38 ASS'Y		1				
C10	213398-8	O RING 24		1				
C20	256279-3	PIN 3		1	*			
C21	268057-9	PIN 4	O	1				
400A1	134851-0	SOCKET 22-38 ASS'Y		1				
C10	213399-6	O-RING 25		1				
C20	256279-3	PIN 3		1	*			
C21	268057-9	PIN 4	O	1				
400B1	134841-3	SOCKET 24-45 ASS'Y		1				
C10	213399-6	O-RING 25		1				
C20	256279-3	PIN 3		1	*			
C21	268057-9	PIN 4	O	1				
402-3	181937-1	STEEL CARRYING CASE		1	*			
402-4	824698-7	PLASTIC CARRYING CASE	O	1				
C10	182935-8	SLIDE LATCH (R.L) SET		1				
900-1	654531-7	TERMINAL BLOCK 2P		1				
906	645206-9	NOISE SUPPRESSOR		1				
907	819003-1	MAKITA LABEL		1				
E04	231907-1	RING SPRING 10		1				

Please order the parts with part number.

Print Date 25/3/2020