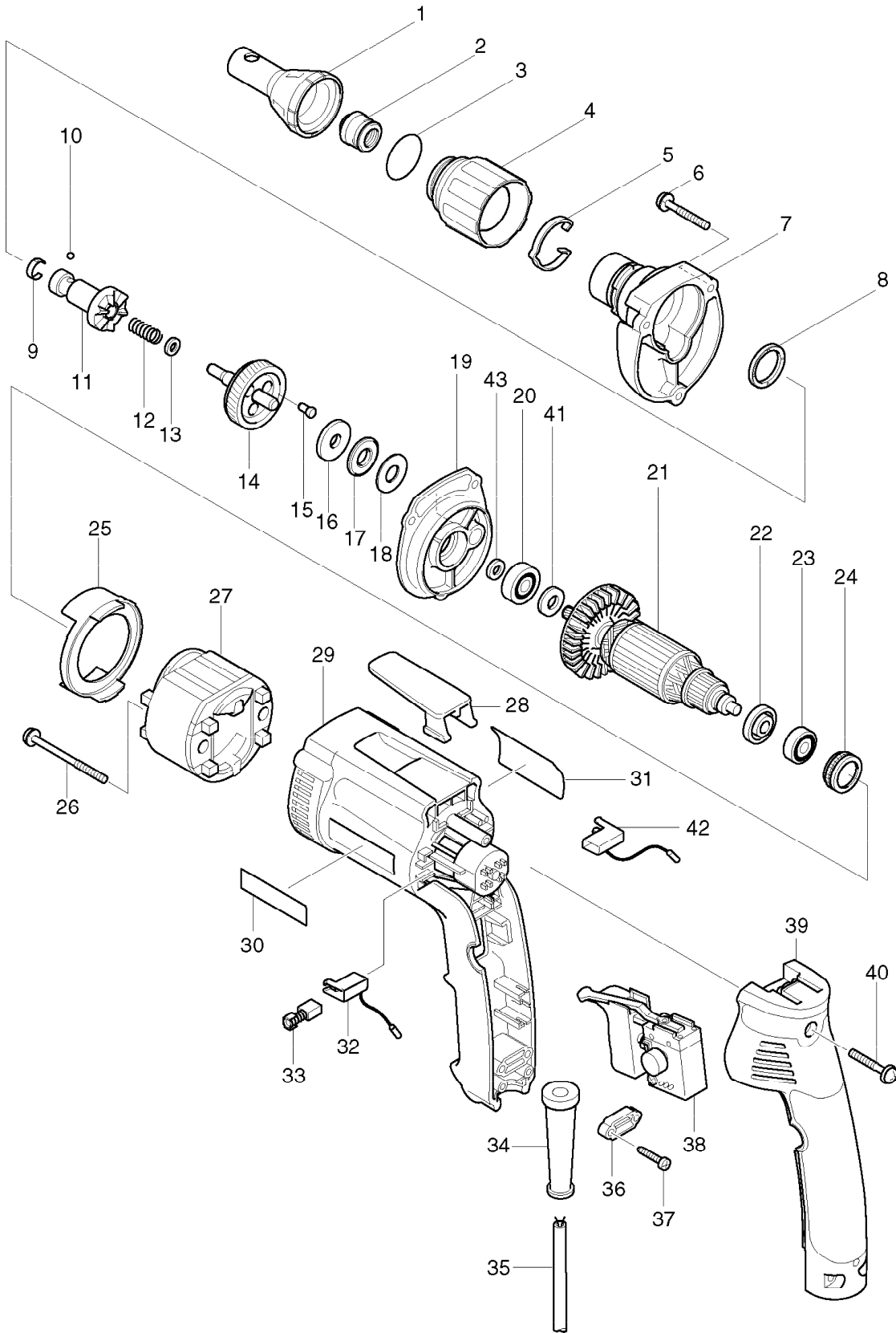


SERVICE DRAWING

MODEL NO. 6825



SPARE PARTS LIST

MODEL NO. 6825

ITEM	PART NO.	DESCRIPTION	QTY	NOTE
001	151760-8	LOCATOR COMPLETE	1	
002	421631-6	DUST SEAL RING	1	
003	213373-4	O RING 22	1	
004	416994-3	LOCK RING	1	
005	*****	*****	***	*****
006	265999-8	TAPPING SCREW 4X25	3	
007	151720-0	GEAR HOUSING COMPLETE	1	
008	*****	*****	***	*****
009	232050-9	LEAF SPRING	1	
010	216001-0	STEEL BALL 3.5	1	
011	151788-6	SPINDLE COMPLETE	1	
012	233257-0	COMPRESSION SPRING 8	1	
013	267202-3	FLAT WASHER 8	2	
014	151791-7	GEAR COMPLETE	1	
015	*****	*****	***	*****
016	216213-5	WASHER 824	1	
017	216415-3	THRUST NEEDLE GAUGE 821	1	
018	216212-7	WASHER 821	1	
019	151722-6	GEAR HOUSING COVER COMPLETE	1	
020	210007-0	BALL BEARING 608VV	1	
021	517328-4	ARMATURE ASS'Y 220V	1	
022	681636-0	INSULATION WASHER	1	
023	211021-9	BALL BEARING 607LLB	1	
024	421479-6	RUBBER RING 19	1	
025	416993-5	BAFFLE PLATE	1	
026	266147-2	TAPPING SCREW 4X55	2	
027	633443-7	FIELD 220-240V	1	
028	*****	*****	***	*****
029	*****	*****	***	*****
030	819063-3	MAKITA LABEL	1	
031	*****	*****	***	*****
032	643958-6	BRUSH HOLDER	1	
033	191962-4	CARBON BRUSH CB-419	1	
034	682559-5	CORD GUARD 8	1	
035	*****	*****	***	*****
036	687052-4	STRAIN RELIEF	1	
037	265995-6	TAPPING SCREW 4X18	2	
038	*****	*****	***	*****
039	*****	*****	***	*****
040	265999-8	TAPPING SCREW 4X25	3	
041	253139-0	FLAT WASHER 8	1	
042	643959-4	BRUSH HOLDER	1	
043	262087-2	RING 8	1	
A01	784211-2	PHILLIPS INSERT BIT 2-25	1	
A02	784807-9	MAGNETIC CONNECT BIT 6.35-60	1	
A03	824449-8	PLASTIC CARRYING CASE	1	
E02	645253-0	NOISE SUPPRESSOR	1	
E04	645200-1	NOISE SUPPRESSOR	1	
E05	655413-6	INLET	1	
E06	687129-5	INLET HOLDER	1	