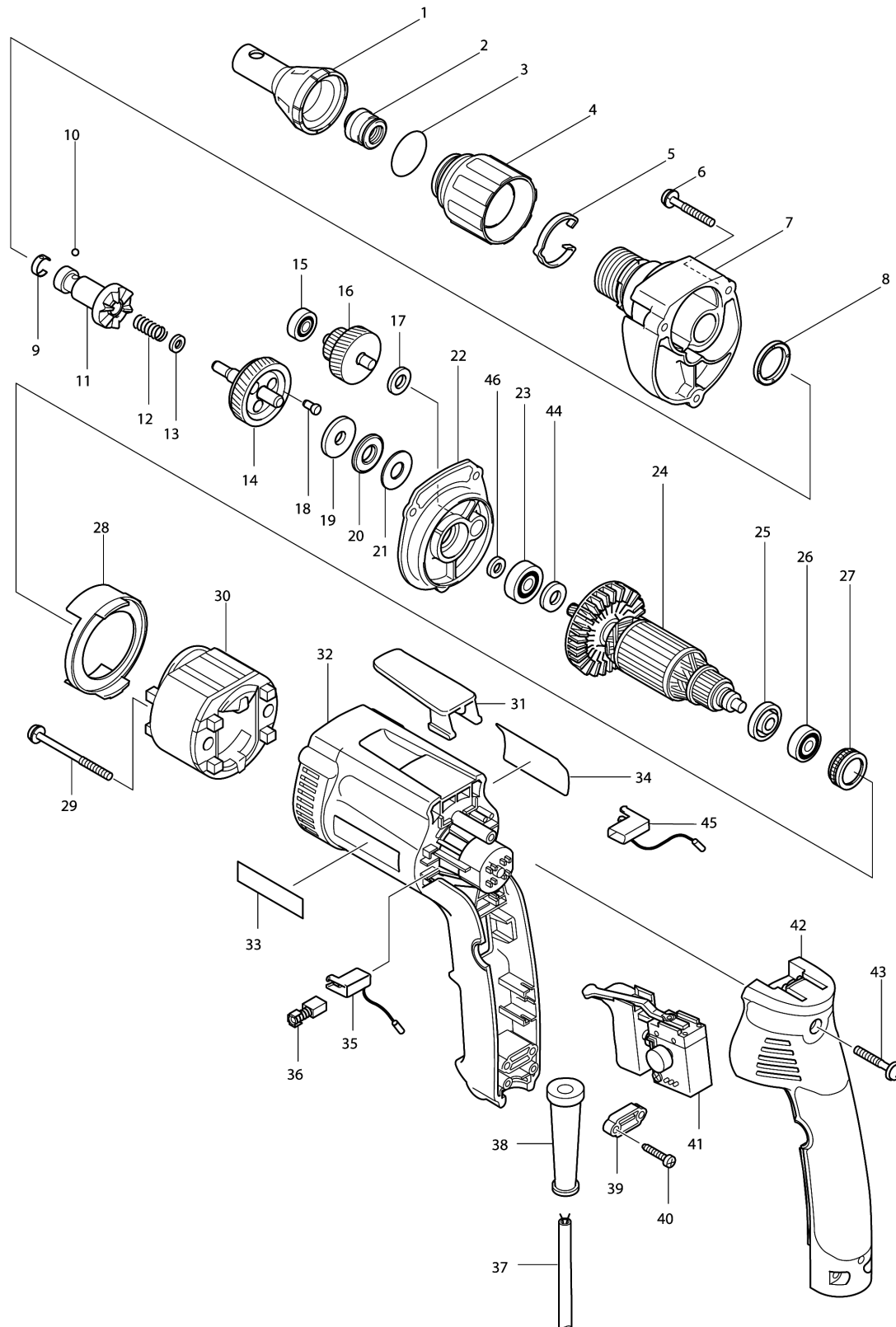


Model No.6823 DRYWALL SCREWDRIVER



Model No.6823 DRYWALL SCREWDRIVER

Item	Parts No.	Description	I/C	Qty	New/Old	Opt. 1	Opt. 2	Note
001A_	151760-8	LOCATOR COMPLETE		1				
002	421631-6	DUST SEAL RING		1				
003	213373-4	O RING 22		1				
004	416994-3	LOCK RING		1	*			
004-1	455428-1	LOCK RING	O	1				
005	232154-7	LEAF SPRING		1	*			
005-1	232154-7	LEAF SPRING	<	1				
006	266050-7	TAPPING SCREW 4X30		3				
007	151719-5	GEAR HOUSING COMPLETE		1	*			
007-1	154452-8	GEAR HOUSING COMPLETE	<	1				
008	421710-0	RING 20		1	*			
008-1	421766-3	RING 20	O	1				
009	232050-9	LEAF SPRING		1				
010	216001-0	STEEL BALL 3.5		1				
011	151788-6	SPINDLE COMPLETE		1				
012	233257-0	COMPRESSION SPRING 8		1				
013	267202-3	FLAT WASHER 8		2				
014	151789-4	GEAR COMPLETE		1				
015	211014-6	BALL BEARING 606		1	*			
015-1	211012-0	BALL BEARING 606ZZ	O	1				
016	226133-5	GEAR COMPLETE 17-35		1				
017	267017-8	FLAT WASHER 8		1				
018	256439-7	PIN 4		3	*			
018-1	256467-2	SHOULDER PIN 4	O	3				
019	216213-5	WASHER 824		1				
020	216415-3	THRUST NEEDLE CAGE 821		1	*			
020-1	216415-3	THRUST NEEDLE CAGE 821	O	1				
021	216212-7	WASHER 821		1				
022	151721-8	GEAR HOUSING COVER COMPLETE		1	*			
022-1	152910-8	GEAR HOUSING COVER COMPLETE	X	1				
023	210007-0	BALL BEARING 608VV		1				
024A_	517323-4	ARMATURE ASS'Y 220V		1				
C10	240022-0	FAN 52		1				
D10		INC. 23,25,26,44						
025	681636-0	INSULATION WASHER		1				
026	211021-9	BALL BEARING 607LLB		1				
027	421479-6	RUBBER RING 19		1				
028	416993-5	BAFFLE PLATE		1				
029	266147-2	TAPPING SCREW 4X55		2				
030A_	633443-7	FIELD 220-240V		1				
031	416996-9	HOOK		1	*			

Please order the parts with part number.

Print Date 18/6/2019

Model No.6823 DRYWALL SCREWDRIVER

Item	Parts No.	Description	I/C	Qty	New/Old	Opt. 1	Opt. 2	Note
031-1	417625-7	HOOK	X	1				
032A1	183285-4	MOTOR HOUSING		1	*			
D10		INC. 33			*			
032A2	188628-5	MOTOR HOUSING	S	1	*			
D10		INC. 33			*			
032A3	450718-7	MOTOR HOUSING	<	1				
033-1	819063-3	MAKITA LABEL		1	*			
034	851653-6	NAME PLATE 6823		1	*			
034-1	850487-4	NAME PLATE 6823	O	1				
035A_	643960-9	BRUSH HOLDER		1				
036A_	191962-4	CARBON BRUSH CB-419		1				
037K_	695034-2	POWER SUPPLY CORD 1.0-2-4.0		1				
038	682559-5	CORD GUARD 8		1				
039B_	687052-4	STRAIN RELIEF		1	*			
039B1	687124-5	STRAIN RELIEF	O	1				
040	265995-6	TAPPING SCREW 4X18		2				
041	651978-6	SWITCH C3MA-2L		1	*			
041-1A	651978-6	SWITCH C3MA-2L	O	1	*			
041-1B	651978-6	SWITCH C3MA-2L	O	1	*			
041-2	651978-6	SWITCH C3MA-2L	O	1				
042A_	151961-8	HANDLE COVER COMPLETE		1	*			
C10	263002-9	RUBBER PIN 4		2	*			
042A1	158710-4	HANDLE COVER COMPLETE	S	1				
C10	263002-9	RUBBER PIN 4		2				
043	265999-8	TAPPING SCREW 4X25		3				
044	253139-0	FLAT WASHER 8		1				
045A_	643961-7	BRUSH HOLDER		1				
046	262087-2	RING 8		1	*			
A01B	824449-8	PLASTIC CARRYING CASE		1				
C10	182935-8	SLIDE LATCH (R.L) SET		1				
A02	784211-2	PHILLIPS INSERT BIT 2-25		1	*			
A02-1	784261-7	+BIT 2-25	O	1				
A03A_	784807-9	MAGNETIC CONNECT BIT 6.35-60		1	*			
A03A1	784811-8	MAGNETIC CONNECT BIT 6.35-60	O	1				
E02	645253-0	NOISE SUPPRESSOR		1				
E04	645200-1	NOISE SUPPRESSOR		1				

Please order the parts with part number.

Print Date 18/6/2019