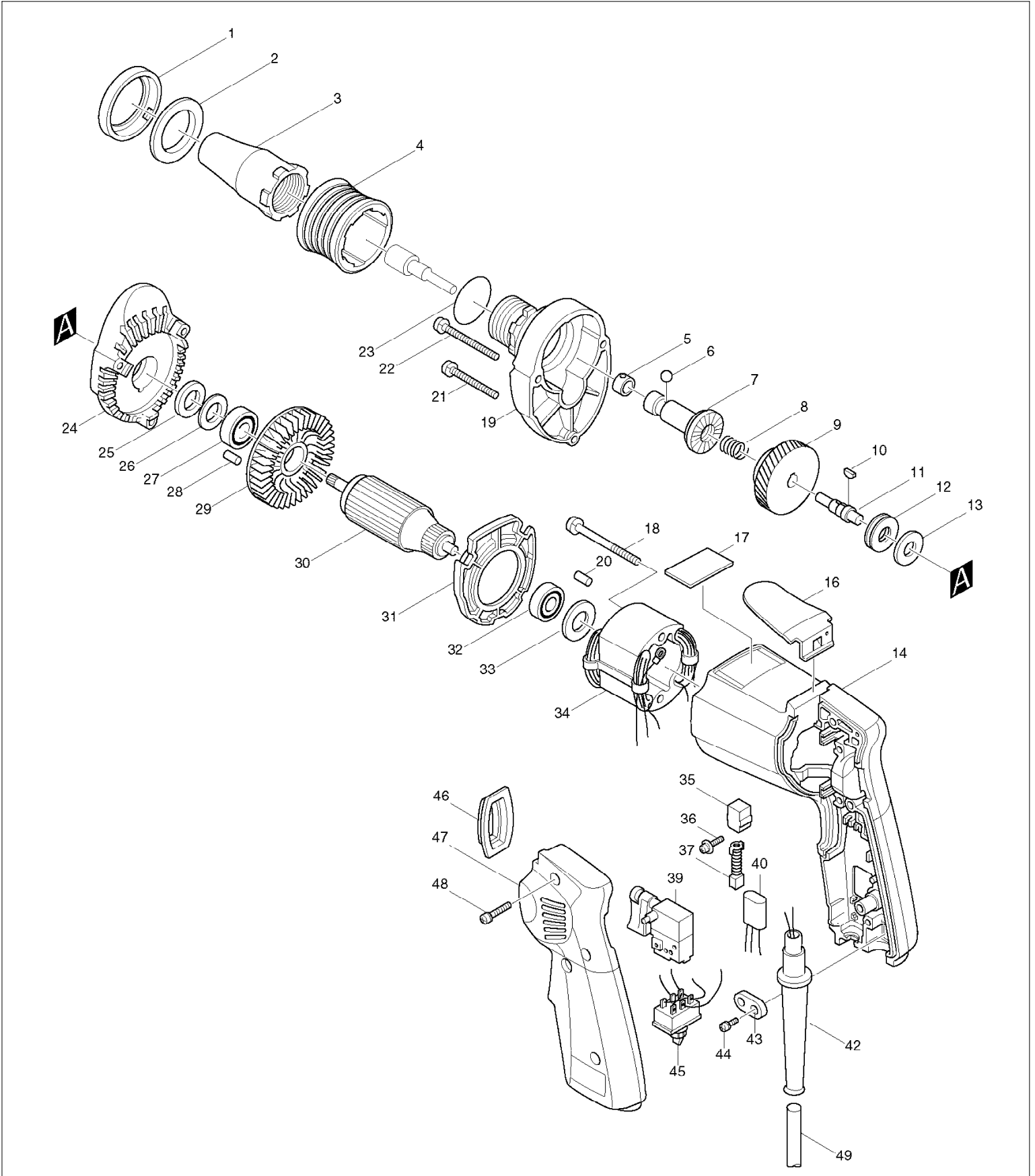


# SERVICE DRAWING

MODEL NO. 6802BV



# SPARE PARTS LIST

MODEL NO. 6802BV

ITEM	PART NO.	DESCRIPTION	QTY	NOTE
001	411297-0	FELT COVER	1	
002	443028-9	FELT RING 30	1	
003	152279-0	LOCATOR 5/16"	1	
004	411293-8	LOCKING SLEEVE	1	
005	232050-9	LEAF SPRING	1	
006	216001-0	STEEL BALL 3.5	1	
007	133459-7	SPINDLE	1	
008	231139-0	COMPRESSION SPRING 9	1	
009	153133-1	GEAR COMPLETE	1	
010	254031-3	WOODRUFF KEY 3	1	
011	325485-2	GEAR SHAFT	1	
012	212057-1	THRUST NEEDLE BEARING 1023	1	
013	261038-2	URETHANE WASHER 10	1	
014	*****	*****	***	*****
016	343693-3	HOOK	1	
017	815289-5	NAME PLATE 6802BV	1	
018	911185-6	PAN HEAD SCREW M4X55	2	
019	156467-1	GEAR HOUSING	1	
020	263002-9	RUBBER PIN 4	1	
021	911261-6	PAN HEAD SCREW M5X40	1	
022	911271-3	PAN HEAD SCREW M5X50	2	
023	*****	*****	***	*****
024	157842-4	GEAR HOUSING COVER COMPLETE	1	
025	261039-0	URETHANE WASHER 14	1	
026	253786-7	FLAT WASHER 14	1	
027	211033-2	BALL BEARING 608LB	1	
028	263002-9	RUBBER PIN 4	1	
029	241881-5	FAN 52	1	
030	515158-7	ARMATURE ASS'Y 220V	1	
031	413045-3	BAFFLE PLATE	1	
032	211028-5	BALL BEARING 627LB	1	
033	253192-6	FLAT WASHER 14	1	
034	628171-7	FIELD 220V	1	
035	643552-4	BRUSH HOLDER 5-8	2	
036	911124-6	PAN HEAD SCREW M4X14	2	
037	191627-8	CARBON BRUSH CB-64	1	
039	*****	*****	***	*****
040	645173-8	NOISE SUPPRESSOR	1	
042	682502-4	CORD GUARD 8-85	1	
043	687031-2	STRAIN RELIEF	1	
044	911133-5	PAN HEAD SCREW M4X18	2	
045	651478-6	SWITCH VTX11	1	
046	411852-8	SWITCH COVER	1	
047	*****	*****	***	*****
048	911153-9	PAN HEAD SCREW M4X28	3	
049	695034-2	POWER SUPPLY CORD 1.0-2-4.0	1	
400	784804-5	MAGNETIC SOCKET BIT 5/16-65	1	
401	*****	*****	***	*****
500	122213-4	LOCATOR ASS'Y 5/16	1	
709	646047-6	CHOKE COIL	1	
710	646048-4	CHOKE COIL	1	