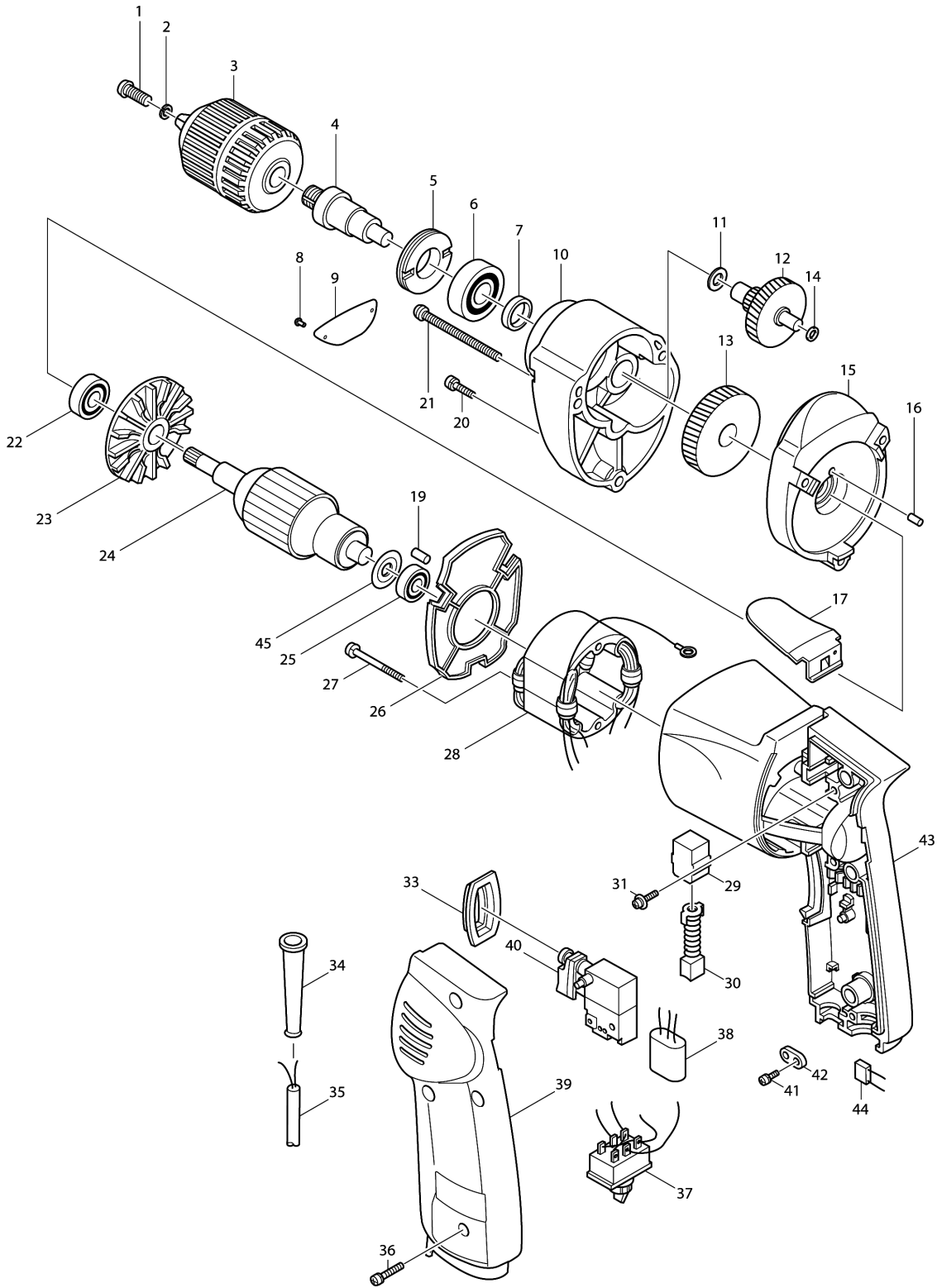


Model No.6510LVR DRILL 10MM



Model No.6510LVR DRILL 10MM

Item	Parts No.	Description	I/C	Qty	New/Old	Opt. 1	Opt. 2	Note
001-1	251448-1	- PAN HEAD SCREW M5X18		1				
003-5	763132-1	KEYLESS DRILL CHUCK 10		1				
004	323685-8	SPINDLE		1				
005	285804-3	BEARING RETAINER 19-34		1				
006	211201-7	BALL BEARING 6002LLB		1				
007	257053-2	RING 15		1				
009	815390-6	NAME PLATE 6510LVR		1	*			
009-1	869485-7	NAME PLATE 6510LVR	O	1				
010	156401-1	GEAR HOUSING		1				
C10	214001-4	PLANE BEARING 8		1				
011	253139-0	FLAT WASHER 8		1				
012	226032-1	GEAR COMPLETE 13-40		1				
013	221624-1	HELICAL GEAR 53		1				
014	253077-6	FLAT WASHER 6		1				
015A_	157996-7	GEAR HOUSING COVER		1				
C10	214001-4	PLANE BEARING 8		1				
C20	214004-8	PLANE BEARING 6		1				
D10		INC. 16						
016	263002-9	RUBBER PIN 4		1				
017-1	343693-3	HOOK		1				
019	263002-9	RUBBER PIN 4		1				
020	911168-6	PAN HEAD SCREW M4X40		1				
021	911188-0	PAN HEAD SCREW M4X60		2				
022	211033-2	BALL BEARING 608LB		1				
023	241802-7	FAN 58		1				
024M1	518804-1	ARMATURE ASS'Y 220V		1				
D10		INC. 22,23,25,45						
025	211028-5	BALL BEARING 627LB		1				
026A_	414292-9	BAFFLE PLATE		1				
027-2	911571-1	PAN HEAD SCREW M4X45		2				
028L2	628656-3	FIELD 220V		1				
029	643552-4	BRUSH HOLDER 5-8		2				
030D_	191627-8	CARBON BRUSH CB-64		1				
031	911124-6	PAN HEAD SCREW M4X14		2				
033	411852-8	SWITCH COVER		1				
034A_	682502-4	CORD GUARD 8-85		1				
035N2	666066-6	POWER SUPPLY CORD 1.0-2-2.5		1				
036	911153-9	PAN HEAD SCREW M4X28		3				
037D1	651478-6	SWITCH VTX11		1				
038G1	645253-0	NOISE SUPPRESSOR		1				
039-1	154960-9	HANDLE COVER COMPLETE		1				
C10	816266-0	INDICATION LABEL		1				

Please order the parts with part number.

Print Date 25/3/2020

Model No.6510LVR DRILL 10MM

Item	Parts No.	Description	I/C	Qty	New/Old	Opt. 1	Opt. 2	Note
C20	817609-9	CAUTION LABEL		1				
040G2	650226-0	SWITCH TG823AB-2		1				
041-1	911133-5	PAN HEAD SCREW M4X18		2				
042	687001-1	STRAIN RELIEF		1				
043C3	188104-9	MOTOR HOUSING SET		1				
C10	816266-0	INDICATION LABEL		1				
C20	819063-3	MAKITA LABEL		1				
D10		INC. 19						
045	681617-4	INSULATION WASHER		1				
903-2	646047-6	CHOKE COIL		1				
904	819063-3	MAKITA LABEL		1				
909	646048-4	CHOKE COIL		1				

Please order the parts with part number.

Print Date 25/3/2020