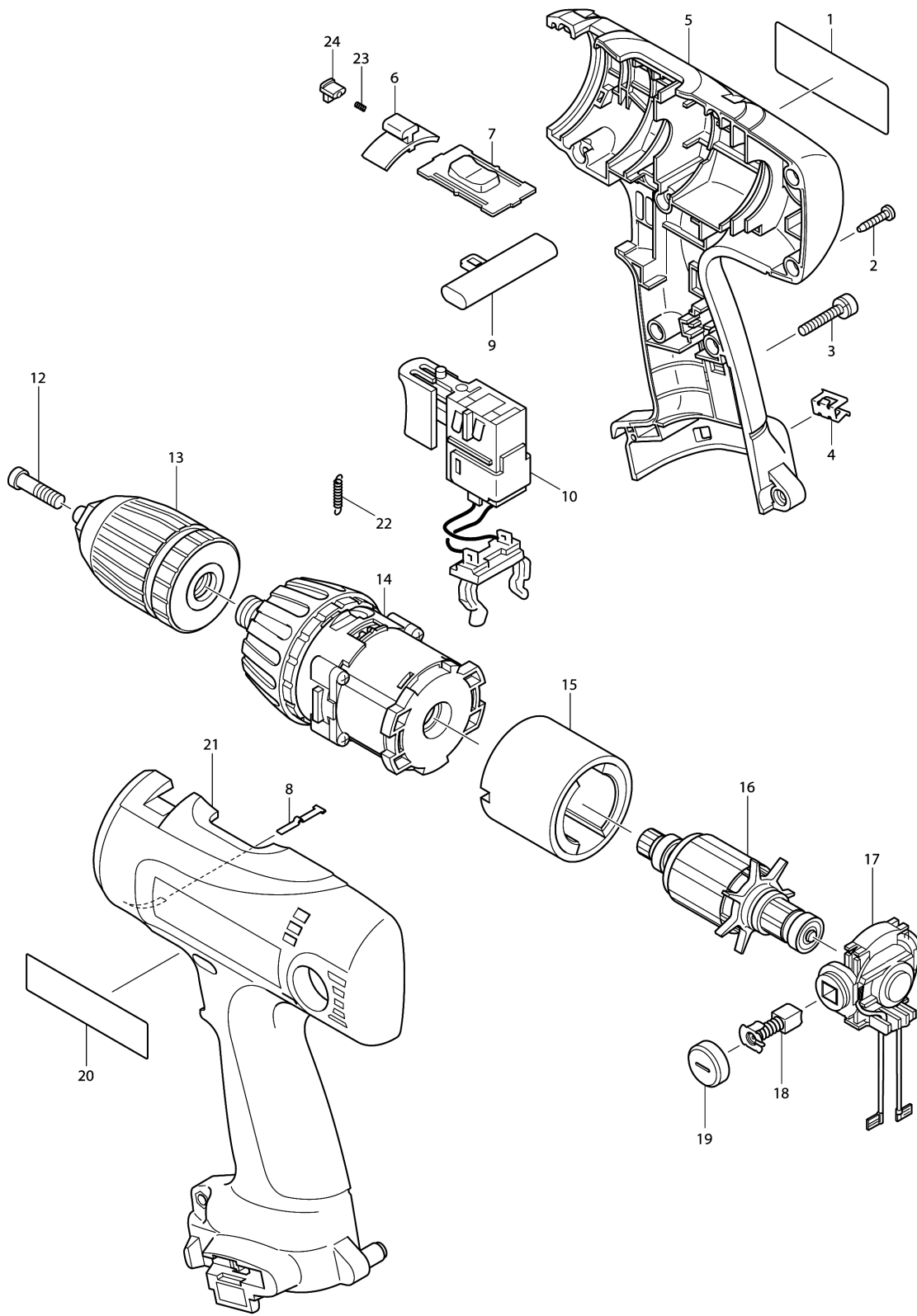


Model No.6317D CORDLESS DRIVER DRILL 13MM



Model No.6317D CORDLESS DRIVER DRILL 13MM

Item	Parts No.	Description	I/C	Qty	New/Old	Opt. 1	Opt. 2	Note
001A	853704-1	NAME PLATE 6317D		1	*			
001-1A	853728-7	NAME PLATE 6317D	<	1	*			
001-1C	853728-7	NAME PLATE 6317D		1	*			
001-2A	853706-7	NAME PLATE 6317D	O	1	*			
001-2C	853706-7	NAME PLATE 6317D	O	1	*			
001-2D	853706-7	NAME PLATE 6317D		1	*			
001-3	867351-2	NAME PLATE 6317D	X	1				
002	266130-9	TAPPING SCREW BIND PT 3X16		9	*			
002-1	266130-9	TAPPING SCREW BIND PT 3X16	S	10				
003	911143-2	PAN HEAD SCREW M4X22		1	*			
004	344391-2	BIT HOLDER		2				
005	183440-8	HOUSING SET		1	*			
D10		INC. 20,21			*			
005-1	188783-3	HOUSING SET	S	1				
D10		INC. 21						
006	417879-6	MODE CHANGE LEVER		1				
007	125102-2	SPEED CHANGE LEVER ASS'Y		1	*			
C10	231433-0	COMPRESSION SPRING 4		2	*			
007-1	125310-5	SPEED CHANGE LEVER ASS'Y	S	1				
C10	231433-0	COMPRESSION SPRING 4		2				
008	232182-2	LEAF SPRING		1				
009	417880-1	F/R CHANGE LEVER		1	*			
009-1	417880-1	F/R CHANGE LEVER	O	1				
010	638144-2	SWITCH UNIT		1				
C20	650521-8	SWITCH C3SA-ML		1	*			
C10	643918-8	BATTERY HOLDER		1				
012	251464-3	- FLAT HEAD SCREW M6X22		1				
013A	763166-4	KEYLESS DRILL CHUCK 13		1	*			
013C	763166-4	KEYLESS DRILL CHUCK 13		1	*			
013-1A	193616-9	KEYLESS DRILL CHUCK 13 SET	O	1	*			
013-1C	193616-9	KEYLESS DRILL CHUCK 13 SET	O	1	*			
013-1D	193616-9	KEYLESS DRILL CHUCK 13 SET		1	*			
013-2	766010-4	KEYLESS DRILL CHUCK 13	<	1				
014A	125160-8	GEAR ASS'Y		1	*			
014-1A	125160-8	GEAR ASS'Y	O	1	*			
014-1C	125160-8	GEAR ASS'Y		1	*			
014-2A	125238-7	GEAR ASS'Y	<	1	*			
014-2C	125238-7	GEAR ASS'Y	<	1	*			
014-2D	125238-7	GEAR ASS'Y		1	*			
014-3	125574-1	GEAR ASS'Y	<	1				

Please order the parts with part number.

Print Date 18/6/2019

Model No.6317D CORDLESS DRIVER DRILL 13MM

Item	Parts No.	Description	I/C	Qty	New/Old	Opt. 1	Opt. 2	Note
015	638138-7	YOKE UNIT		1				
016A	619079-6	ARMATURE		1	*			
016C	619079-6	ARMATURE		1	*			
016-1A	619116-6	ARMATURE	O	1				
016-1C	619116-6	ARMATURE	O	1				
016-1D	619116-6	ARMATURE		1				
017	638139-5	ENDBELL COMPLETE		1				
018	191971-3	CARBON BRUSH CB-430		1				
019	643929-3	BRUSH HOLDER CAP		2				
020	819064-1	MAKITA MARK		1	*			
021	183440-8	HOUSING SET		1	*			
D10		INC. 5,20			*			
021-1	188783-3	HOUSING SET	S	1				
D10		INC. 5						
022	231829-5	TENSION SPRING 2		1				
023	233353-4	COMPRESSION SPRING 2		1				
024A	417966-1	LOCK LEVER		1	*			
024C	417966-1	LOCK LEVER		1	*			
024-1A	418095-3	LOCK LEVER	O	1				
024-1C	418095-3	LOCK LEVER	O	1				
024-1D	418095-3	LOCK LEVER		1				
A01	414938-7	BATTERY COVER		2				
A02	784637-8	+/- BIT 2-45		1				
A03A	824660-2	PLASTIC CARRYING CASE		1	*			
C10	324207-7	SHAFT		1	*			
C20	417723-7	HANDLE		1	*			
C30	417724-5	LATCH		2	*			
C40	819144-3	MAKITA LOGO LABEL		1	*			
A03C	824660-2	PLASTIC CARRYING CASE		1	*			
C10	324207-7	SHAFT		1	*			
C20	417723-7	HANDLE		1	*			
C30	417724-5	LATCH		2	*			
C40	819144-3	MAKITA LOGO LABEL		1	*			
A03-1A	183763-4	PLASTIC CARRYING CASE	O	1				
C10	324207-7	SHAFT		1				
C20	417723-7	HANDLE		1				
C30	417724-5	LATCH		2				
C40	819144-3	MAKITA LOGO LABEL		1				
A03-1C	183763-4	PLASTIC CARRYING CASE	O	1				
C10	324207-7	SHAFT		1				
C20	417723-7	HANDLE		1				
C30	417724-5	LATCH		2				

Please order the parts with part number.

Print Date 18/6/2019

Model No.6317D CORDLESS DRIVER DRILL 13MM

Item	Parts No.	Description	I/C	Qty	New/Old	Opt. 1	Opt. 2	Note
C40	819144-3	MAKITA LOGO LABEL		1				
A03-1D	183763-4	PLASTIC CARRYING CASE		1				
C10	324207-7	SHAFT		1				
C20	417723-7	HANDLE		1				
C30	417724-5	LATCH		2				
C40	819144-3	MAKITA LOGO LABEL		1				
A04A	***DC1413	DC1413 BATTERY CHARGER		1	*			
A04C	***DC1413	DC1413 BATTERY CHARGER		1	*			
A04-1A	***DC1414	DC1414 BATTERY CHARGER	O	1				
A04-1C	***DC1414	DC1414 BATTERY CHARGER	O	1				
A04-1D	***DC1414	DC1414 BATTERY CHARGER		1				
A05A	193100-4	NI-MH(2.6A) BATTERY 1234 SET		2				
A05C	192597-4	BATTERY 1222 SET		2				
A05D	193100-4	NI-MH(2.6A) BATTERY 1234 SET		2				
A06D	345261-8	HOOK PLATE		2				
A07D	417926-3	STRAP G0970200500		1				
A08D	192749-7	ML120 RECHARGEABLE FLASHLIGHT		1				
A09A	819804-7	PLASTIC CASE LABEL		1				
A09D	819805-5	PLASTIC CASE LABEL		1				
A09-2C	800G03-4	PLASTIC CASE LABEL		1				

Please order the parts with part number.

Print Date 18/6/2019