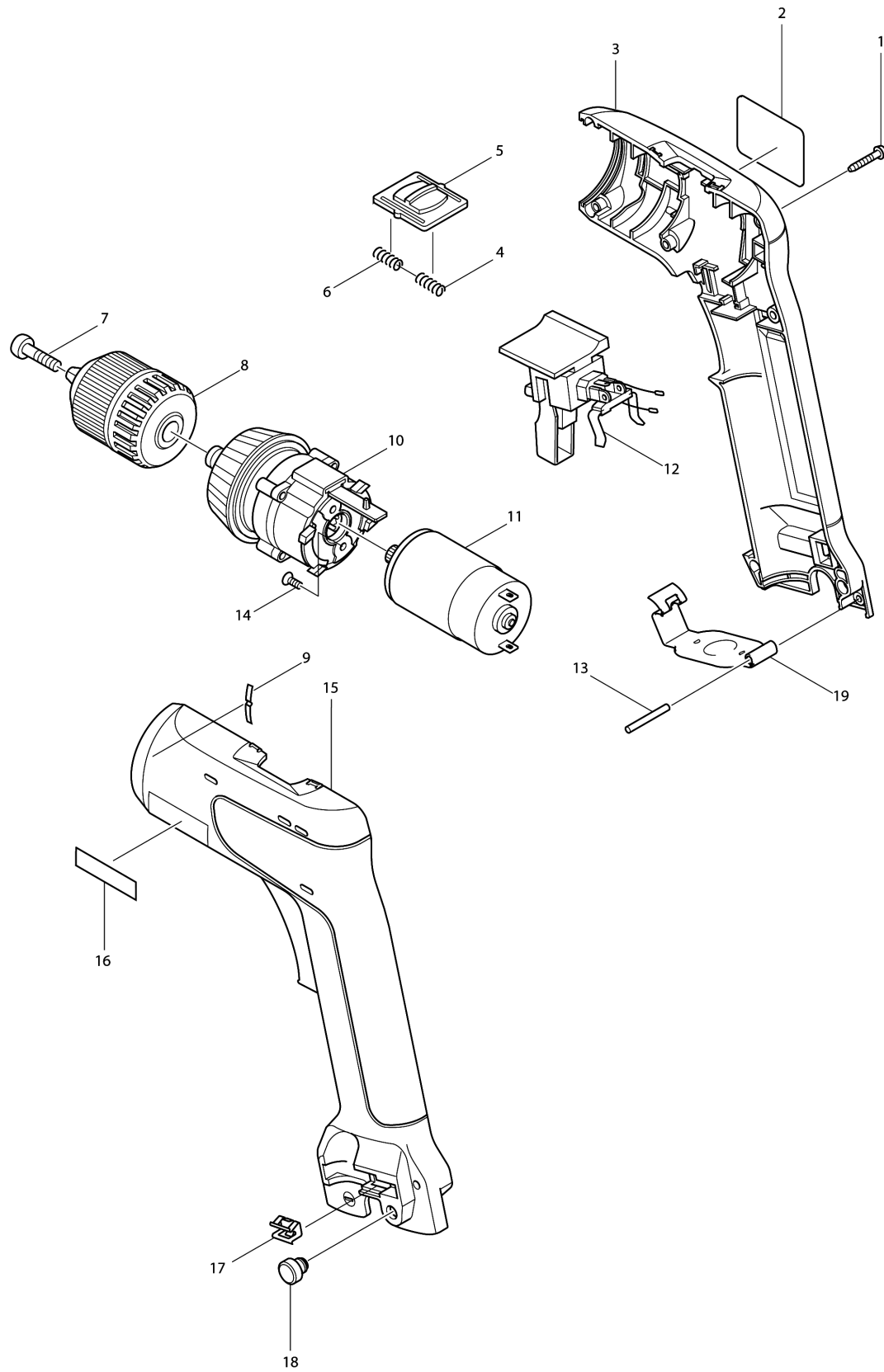


Model No.6019D CORDLESS DRIVER DRILL



Model No.6019D CORDLESS DRIVER DRILL

Item	Parts No.	Description	I/C	Qty	New/Old	Opt. 1	Opt. 2	Note
001	266130-9	TAPPING SCREW BIND PT 3X16		7				
002	858382-2	NAME PLATE 6019D		1				
003	182836-0	HOUSING SET		1				
D10		INC. 15,16						
004	231433-0	COMPRESSION SPRING 4		1				
005	416119-9	SPEED CHANGE LEVER		1				
006	231433-0	COMPRESSION SPRING 4		1				
007	251457-0	- PAN HEAD SCREW M5X20		1				
008	763119-3	KEYLESS DRILL CHUCK 10		1	*			
008-1	192016-0	KEYLESS DRILL CHUCK 10	O	1	*			
008-2	193601-2	KEYLESS DRILL CHUCK SET	O	1				
009	232162-8	LEAF SPRING		1				
010	125050-5	GEAR ASS'Y		1				
011	629708-3	DC MOTOR		1	*			
C10	226316-7	SPUR GEAR 10		1	*			
011-1	629779-0	DC MOTOR	<	1	*			
C10	226316-7	SPUR GEAR 10		1	*			
011-2	629779-0	DC MOTOR	O	1				
C10	226316-7	SPUR GEAR 10		1				
012	531076-1	SWITCH ASS'Y		1	*			
012-1	531078-7	SWITCH ASS'Y	O	1				
013	256252-3	PIN 3		1				
014	912002-3	COUNTERSUNK HEAD SCREW M3X6		2				
015	182836-0	HOUSING SET		1				
D10		INC. 3,16						
016	819720-3	MAKITA LABEL		1				
017	344391-2	BIT HOLDER		2				
018	263022-3	RUBBER PIN 6		2				
019	344549-3	SET PLATE		1				
A01D	414938-7	BATTERY COVER		2				
A02	784202-3	PHILLIPS BIT 2-45		2	*			
A02-1	784202-3	PHILLIPS BIT 2-45	O	2	*			
A02-2	784637-8	+/- BIT 2-45	X	2				
A03D	824475-7	PLASTIC CARRYING CASE		1	*			
C10	183091-7	SLIDE LATCH RL SET		1	*			
A03-1D	824723-4	PLASTIC CARRYING CASE	<	1				
C10	183091-7	SLIDE LATCH RL SET		1				
A04D	191679-9	BATTERY 7000 SET		2	*			
A04-1D	193888-6	BATTERY 7034 SET	<	2				

Please order the parts with part number.

Print Date 17/6/2019

