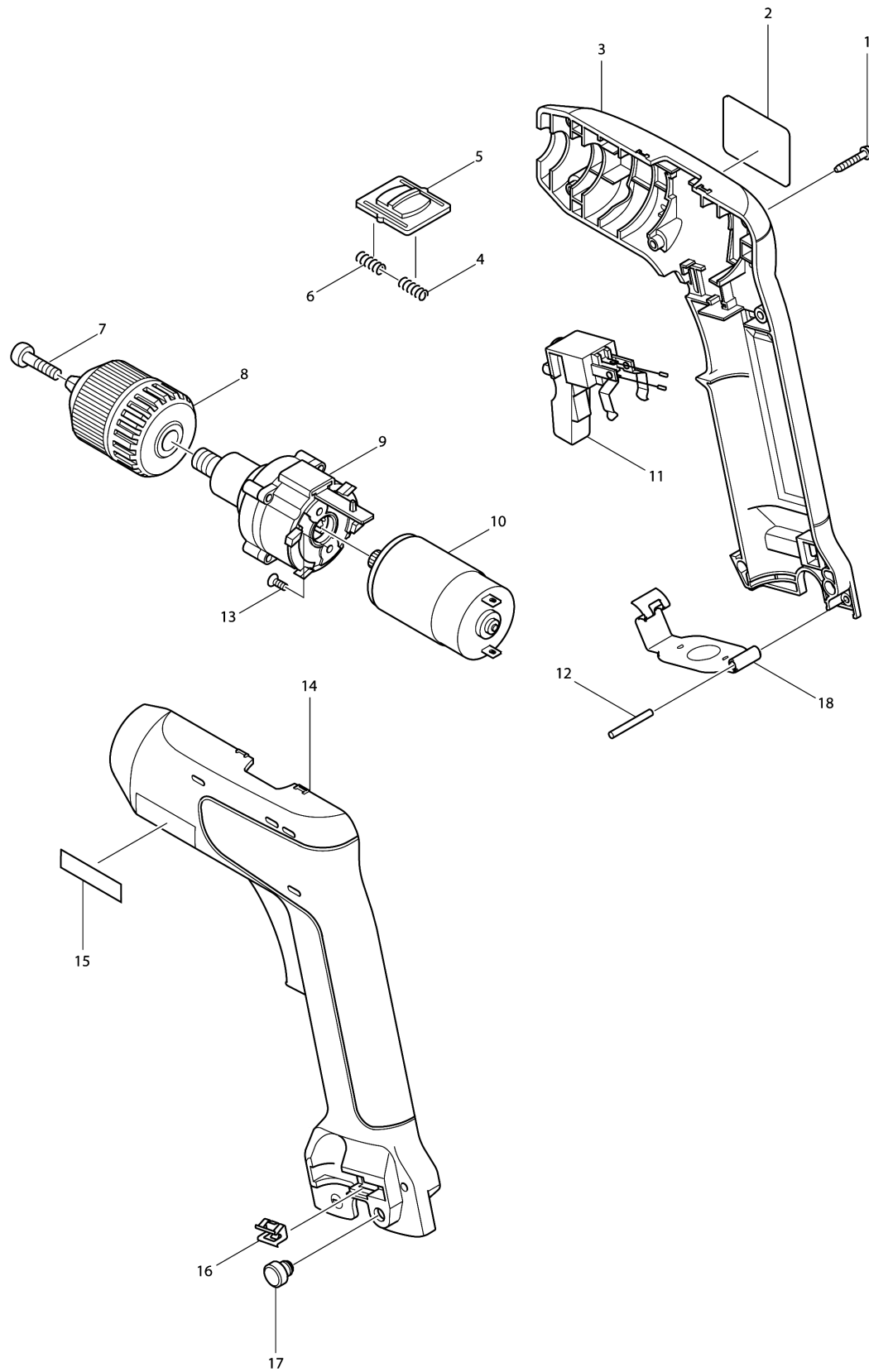


### Model No.6017D CORDLESS DRILL 10MM





## Model No.6017D CORDLESS DRILL 10MM

Item	Parts No.	Description	I/C	Qty	New/Old	Opt. 1	Opt. 2	Note
001	266130-9	TAPPING SCREW BIND PT 3X16		7				
002	858380-6	NAME PLATE 6017D		1				
003	182834-4	HOUSING SET		1				
D10		INC. 14,15						
004	231433-0	COMPRESSION SPRING 4		1				
005	416119-9	SPEED CHANGE LEVER		1				
006	231433-0	COMPRESSION SPRING 4		1				
007	251457-0	- PAN HEAD SCREW M5X20		1				
008	763119-3	KEYLESS DRILL CHUCK 10		1	*			
008-1	192016-0	KEYLESS DRILL CHUCK 10	O	1	*			
008-2	193601-2	KEYLESS DRILL CHUCK SET	O	1				
009	125049-0	GEAR ASS'Y		1				
010	629708-3	DC MOTOR		1	*			
C10	226316-7	SPUR GEAR 10		1	*			
010-1	629779-0	DC MOTOR	<	1	*			
C10	226316-7	SPUR GEAR 10		1	*			
010-2	629779-0	DC MOTOR	O	1				
C10	226316-7	SPUR GEAR 10		1				
011	531075-3	SWITCH ASS'Y		1				
C10	654086-2	RECEPTACLE		2	*			
C11	654069-2	RECEPTACLE	O	2				
012	256252-3	PIN 3		1				
013	912002-3	COUNTERSUNK HEAD SCREW M3X6		2				
014	182834-4	HOUSING SET		1				
D10		INC. 3,15						
015	819720-3	MAKITA LABEL		1				
016	344391-2	BIT HOLDER		2				
017	263022-3	RUBBER PIN 6		2				
018	344549-3	SET PLATE		1				
A01	414938-7	BATTERY COVER		1				
A02	784202-3	PHILLIPS BIT 2-45		2	*			
A02-1	784202-3	PHILLIPS BIT 2-45	O	2	*			
A02-2	784637-8	+/- BIT 2-45	X	2				
A03B	824475-7	PLASTIC CARRYING CASE		1	*			
C10	183091-7	SLIDE LATCH RL SET		1	*			
A03D	824475-7	PLASTIC CARRYING CASE		1	*			
C10	183091-7	SLIDE LATCH RL SET		1	*			
A03-1B	824723-4	PLASTIC CARRYING CASE	<	1				
C10	183091-7	SLIDE LATCH RL SET		1				
A03-1D	824723-4	PLASTIC CARRYING CASE	<	1				
C10	183091-7	SLIDE LATCH RL SET		1				

Please order the parts with part number.

Print Date 17/6/2019

## Model No.6017D CORDLESS DRILL 10MM

Item	Parts No.	Description	I/C	Qty	New/Old	Opt. 1	Opt. 2	Note
A03A_E	824483-8	PLASTIC CARRYING CASE		1	*			
C10	183091-7	SLIDE LATCH RL SET		1	*			
A03A1E	824723-4	PLASTIC CARRYING CASE	<	1				
C10	183091-7	SLIDE LATCH RL SET		1				
A05D	784202-3	PHILLIPS BIT 2-45		2	*			
A05E	784202-3	PHILLIPS BIT 2-45		2	*			
A05-1D	784202-3	PHILLIPS BIT 2-45	O	2	*			
A05-1E	784202-3	PHILLIPS BIT 2-45	O	2	*			
A05-2D	784637-8	+− BIT 2-45	X	2				
A05-2E	784637-8	+− BIT 2-45	X	2				
B01	191679-9	BATTERY 7000 SET		1	*			
B01-1	193888-6	BATTERY 7034 SET	<	1				
B02	***DC9700	DC9700 FAST CHARGER		1	*			
B02-1	***DC1414	DC1414 BATTERY CHARGER	<	1				
B03E	183220-2	SEARCHLIGHT SET		1				
E01D	414938-7	BATTERY COVER		1				
E02D	191679-9	BATTERY 7000 SET		1	*			
E02-1D	193888-6	BATTERY 7034 SET	<	1				

Please order the parts with part number.

Print Date 17/6/2019