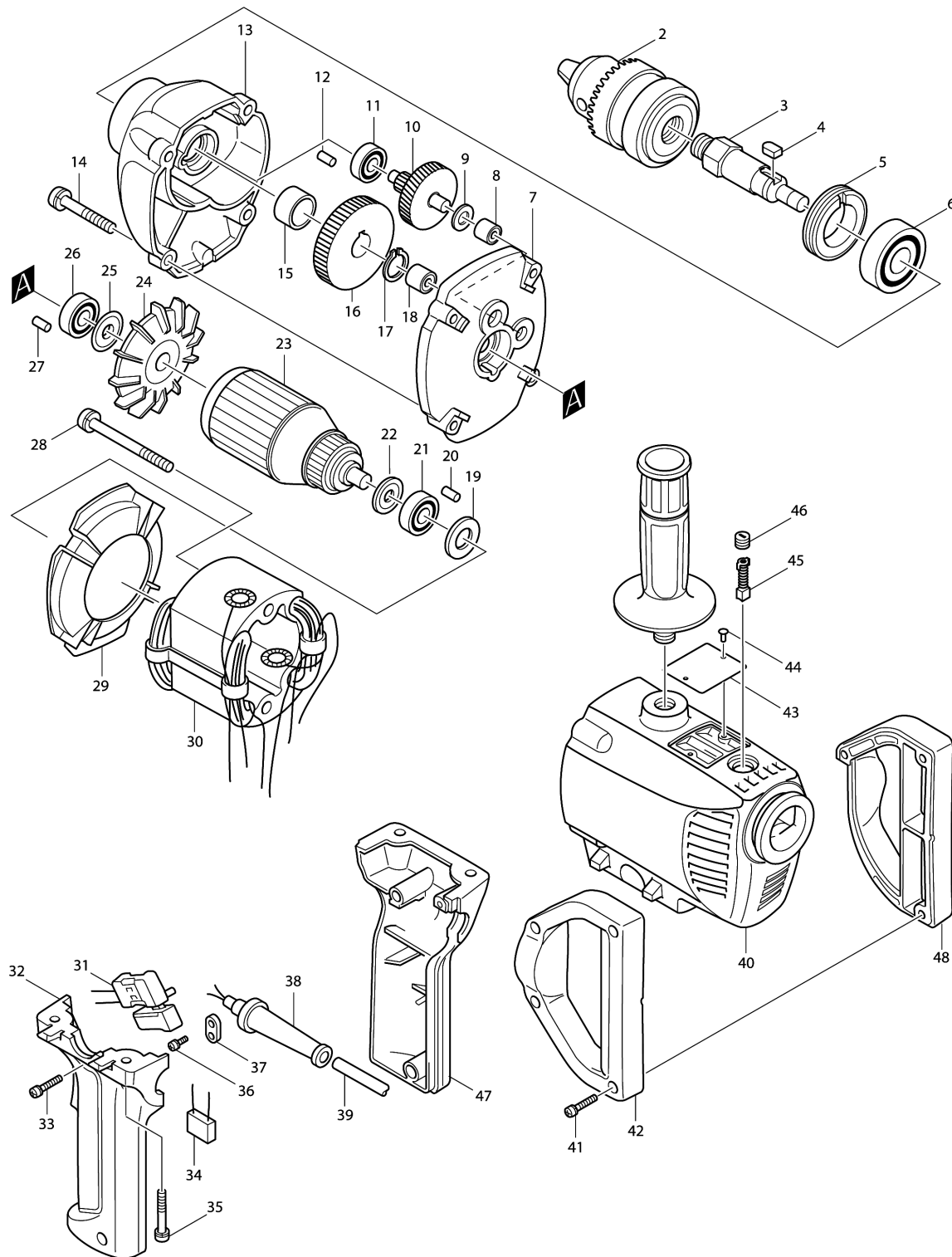


Model No.6013B DRILL 13MM



Model No.6013B DRILL 13MM

Item	Parts No.	Description	I/C	Qty	New/Old	Opt. 1	Opt. 2	Note
002-1	192877-8	DRILL CHUCK S13		1				
003	325494-1	SPINDLE		1				
004	254211-1	KEY 5		1				
005	285808-5	BEARING RETAINER 25-36		1				
006	211206-7	BALL BEARING 6202LLB		1				
007	156972-8	GEAR HOUSING COVER		1				
D10		INC. 27						
008	212012-3	NEEDLE BEARING 609		1				
009	261008-1	FIBER WASHER 6		1				
010	226028-2	GEAR COMPLETE 7-41		1				
011	211016-2	BALL BEARING 626LLB		1				
012	263002-9	RUBBER PIN 4		1				
013	156971-0	GEAR HOUSING		1				
D10		INC. 12						
014	911256-9	PAN HEAD SCREW M5X35		4				
015	257018-4	RING 15		1				
016	221261-1	SPUR GEAR 47		1				
017	961054-1	RETAINING RING S-14		1				
018	212003-4	NEEDLE BEARING 810		1				
019	253192-6	FLAT WASHER 14		1				
020	263002-9	RUBBER PIN 4		1				
021	211033-2	BALL BEARING 608LB		1				
022-1	681613-2	INSULATION WASHER		1				
023C_	512608-3	ARMATURE ASS'Y 220V		1				
D10		INC. 21,22,24-26						
024	241622-9	FAN 62		1				
025	213002-9	DUST SEAL 8		1				
026	211031-6	BALL BEARING 608LLB		1				
027	263002-9	RUBBER PIN 4		1				
028-1	911280-2	PAN HEAD SCREW M5X55		2				
029	411487-5	FAN GUIDE		1				
030C_	522433-4	FIELD ASS'Y 220V		1				
C10	654018-9	RING TERMINAL		2				
C20	654501-6	CONNECTOR P-1.25		2				
031H1	651232-8	SWITCH SGEL206C		1	*			
031H2	651268-7	SWITCH SGEL206C-2	S	1				
032-1	181883-8	SWITCH HANDLE COVER SET		1	*			
D10		INC. 47			*			
032-2	188083-1	SWITCH HANDLE SET	S	1				
D10		INC. 47						
033	911153-9	PAN HEAD SCREW M4X28		2				
034E2	645253-0	NOISE SUPPRESSOR		1				

Please order the parts with part number.

Print Date 17/6/2019

Model No.6013B DRILL 13MM

Item	Parts No.	Description	I/C	Qty	New/Old	Opt. 1	Opt. 2	Note
035	911248-8	PAN HEAD SCREW M5X28		4				
036-1	911133-5	PAN HEAD SCREW M4X18		2				
037C1	687031-2	STRAIN RELIEF		1				
038A_	682502-4	CORD GUARD 8-85		1				
039B_	665394-6	POWER SUPPLY CORD 1.0-2-2.5		1				
040	156443-5	MOTOR HOUSING		1	*			
C10	643556-6	BRUSH HOLDER 5-8		2	*			
C20	913206-0	SET SCREW M5X8		2	*			
D10		INC. 20			*			
040-1	156443-5	MOTOR HOUSING	>	1				
C10	643556-6	BRUSH HOLDER 5-8		2				
D10		INC. 20						
041	911153-9	PAN HEAD SCREW M4X28		4				
042	181162-4	HANDLE SET		1				
D10		INC. 48						
043	815092-4	NAME PLATE 6013B		1	*			
043-1	850145-2	NAME PLATE 6013B	<	1				
044	953106-2	RIVET 0-5		2	*			
045	181021-2	CARBON BRUSH CB-51		1				
046	643550-8	BRUSH HOLDER CAP 5-8		2				
047-1	181883-8	SWITCH HANDLE COVER SET		1	*			
D10		INC. 32			*			
047-2	188083-1	SWITCH HANDLE SET	S	1				
D10		INC. 32						
048	181162-4	HANDLE SET		1				
D10		INC. 42						
049	819003-1	MAKITA LABEL		1				
400-1	763432-9	CHUCK KEY S13		1				
900	646325-4	LINE COIL		1				

Please order the parts with part number.

Print Date 17/6/2019