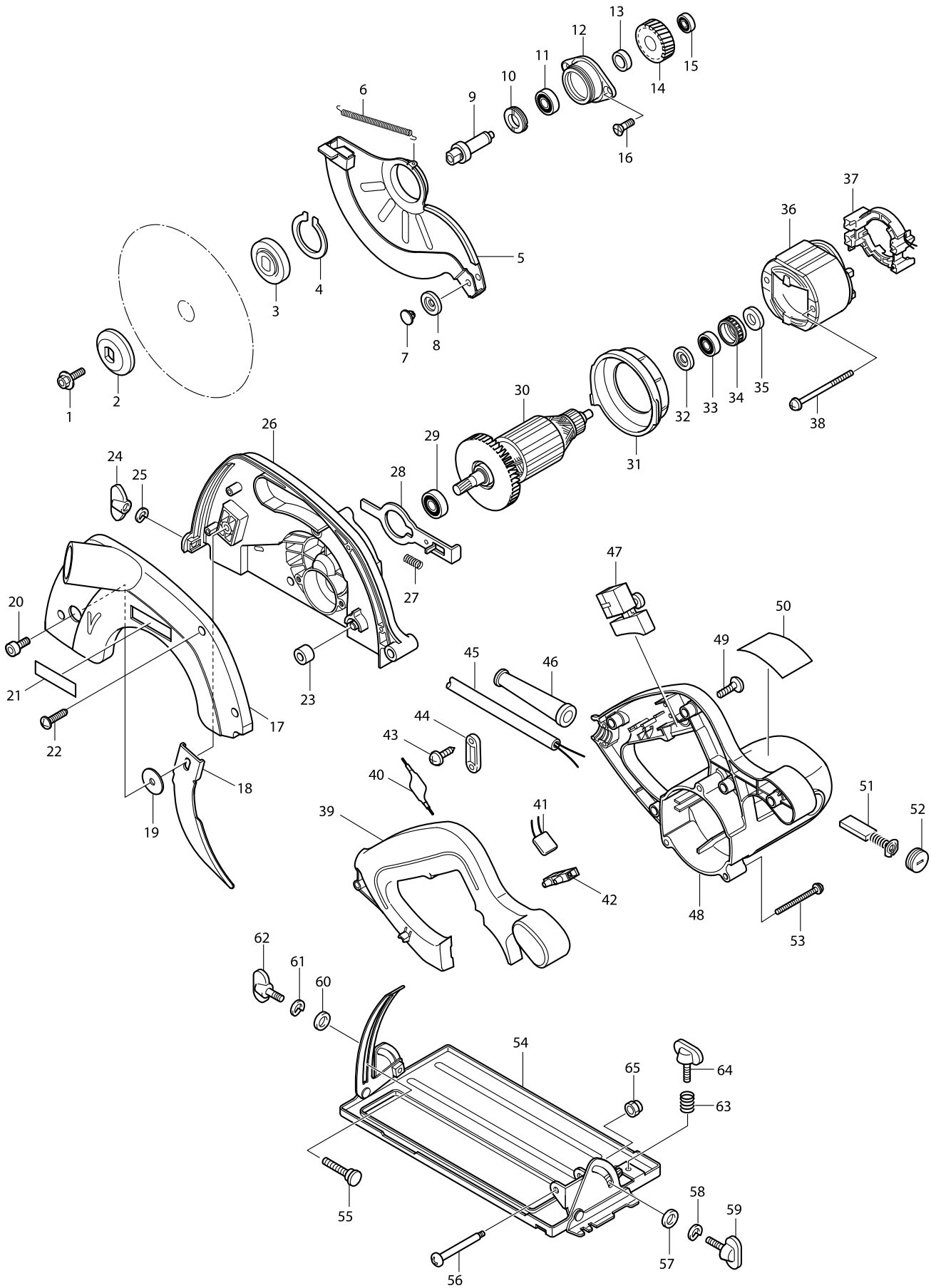


# Model No. 5604R CIRCULAR SAW 165MM



# Model No. 5604R CIRCULAR SAW 165MM

Item	Parts No.	Description	I/C	Qty	N/O	Opt. 1	Opt. 2	Note
001	266024-8	HEX. SOCKET HEAD BOLT M6X20		1				
002	224329-2	OUTER FLANGE 45		1				
003	224180-0	INNER FLANGE 45		1				
004	961155-5	RETAINING RING S-38		1				
005	165256-3	SAFETY COVER		1				
006A	231821-1	TENSION SPRING 3		1	*			
006-1A	231808-3	TENSION SPRING 4	X	1				
006-1B	231808-3	TENSION SPRING 4		1				
007	415437-2	ROLLER PIN 6		2				
008	415438-0	ROLLER 20		2				
009	322838-6	SPINDLE		1				
010	285802-7	BEARING RETAINER 19-33		1				
011	211129-9	BALL BEARING 6201DDW		1				
012A	316766-5	BEARING BOX		1	*			
012-1A	316849-1	BEARING BOX	O	1				
012-1B	316849-1	BEARING BOX		1				
013	257173-2	RING 12		1				
014	226467-6	HELICAL GEAR 47		1				
015A	211014-6	BALL BEARING 606		1	*			
015-1A	211012-0	BALL BEARING 606ZZ	O	1				
015-1B	211012-0	BALL BEARING 606ZZ		1				
016	265034-2	+ COUNTERSUNK HEAD SCREW M5X		2				
017A	416992-7	BLADE CASE COVER		1	*			
017-1A	416992-7	BLADE CASE COVER	S	1				
017-1B	416992-7	BLADE CASE COVER		1				
018	344800-1	RIVING KNIFE		1				
019	253783-3	FLAT WASHER 6		1				
020	922312-0	HEX. SOCKET HEAD BOLT M6X12		1				
021A	819063-3	MAKITA LABEL		1	*			
022	266034-5	TAPPING SCREW CT 4X16		4				
023	262511-5	RUBBER SLEEVE 6		1				
024	252639-7	WING NUT M6		1				
025	942151-2	SPRING WASHER 6		1				
026	151635-1	BLADE CASE COMPLETE		1				
C10	263002-9	RUBBER PIN 4		1				
027	233092-6	COMPRESSION SPRING 5		1				
028	344317-4	SHAFT LOCK		1				
029	211097-6	BALL BEARING 6000LLB		1				
030-1	510044-7	ARMATURE ASS'Y 220V		1				
D10		INC. 29,32,33						
031	415873-2	BAFFLE PLATE		1				
032	681654-8	INSULATION WASHER		1				
033	211033-2	BALL BEARING 608LB		1				
034	421720-7	RUBBER RING 22		1				
035	261115-0	RUBBER WASHER 13		1				
036	634154-7	FIELD 240V		1				
037A	632673-7	SUPPORT COMPLETE		1	*			
037-1A	135486-0	SUPPORT ASS'Y	<	1				

Item	Parts No.	Description	I/C	Qty	N/O	Opt. 1	Opt. 2	Note
C10	632673-7	SUPPORT COMPLETE		1				
C20	654020-2	RING TERMINAL		1				
C30	654501-6	CONNECTOR P-1.25		1				
037-1B	135486-0	SUPPORT ASS'Y		1				
C10	632673-7	SUPPORT COMPLETE		1				
C20	654020-2	RING TERMINAL		1				
C30	654501-6	CONNECTOR P-1.25		1				
038	266095-5	TAPPING SCREW 5X55		2				
039	416991-9	HANDLE COVER		1				
040	646077-7	CHOKE COIL		1				
041	645200-1	NOISE SUPPRESSOR		1				
042	654532-5	TERMINAL BLOCK 1P		1				
043	265995-6	TAPPING SCREW 4X18		2				
044	687052-4	STRAIN RELIEF		1	*			
044-1	687124-5	STRAIN RELIEF	O	1				
045	665865-3	POWER SUPPLY CORD 1.0-2-2.5		1				
046	682540-6	CORD GUARD 9.3-90		1				
047	651291-2	SWITCH SGES115C-5		1				
048	151636-9	MOTOR HOUSING COMPLETE		1				
C10	643708-9	BRUSH HOLDER 5-11		2				
049A	266045-0	TAPPING SCREW 4X20		5	*			
049-1A	265995-6	TAPPING SCREW 4X18	O	5				
049-1B	265995-6	TAPPING SCREW 4X18		5				
050	851929-1	NAME PLATE 5604R		1				
051	191963-2	CARBON BRUSH CB-303		1				
052	643750-0	BRUSH HOLDER CAP 7-11		2				
053	911268-2	PAN HEAD SCREW M5X45		3				
054	168329-1	BASE		1				
055	265950-8	CAP SQUARE NECK BOLT M6X26		1				
056	265056-2	+ PAN HEAD SCREW M5		1				
057	941151-9	FLAT WASHER 6		1				
058	942151-2	SPRING WASHER 6		1				
059	265701-9	SCREW M6X14		1				
060	941151-9	FLAT WASHER 6		1				
061	942151-2	SPRING WASHER 6		1				
062	265701-9	SCREW M6X14		1				
063	231316-4	COMPRESSION SPRING 7		1				
064	265701-9	SCREW M6X14		1				
065	252103-8	HEX. LOCK NUT M5-8		1				
A01	B-02917	T.C.T.SAW BLADE 165MM		1				
A02	164095-8	GUIDE RULE		1				
A03	783203-8	HEX. WRENCH 5		1				
A04B	821552-6	CONNECTOR PLASTIC CASE (TYPE4)		1	*			
C10	453974-8	LATCH		4	*			
A04-1B	821552-6	CONNECTOR PLASTIC CASE (TYPE4)	<	1				
C10	453974-8	LATCH		4				
A05B	837657-2	INNER TRAY		1				
A06B	802F50-5	5604RJ INDICATION LABEL		1				

