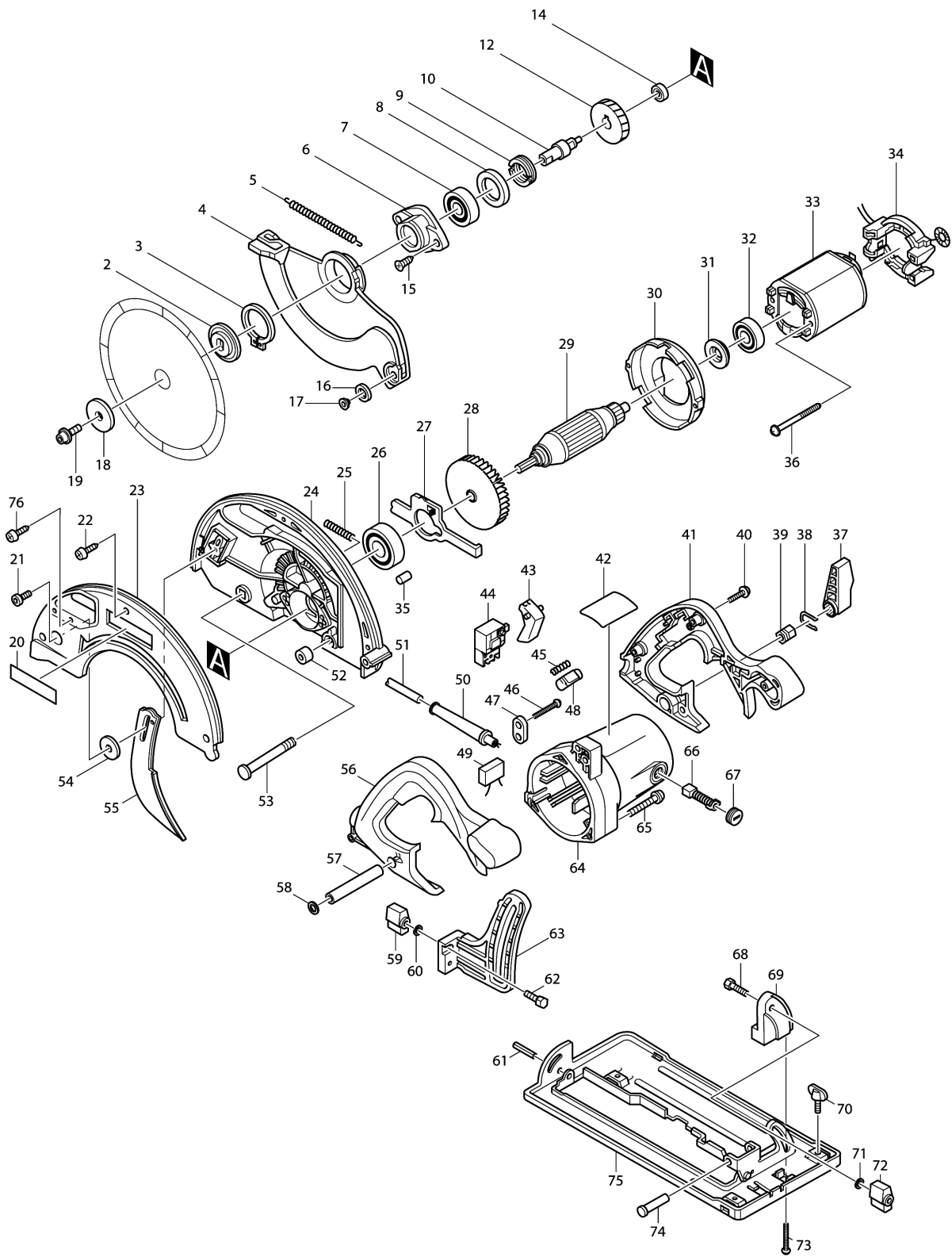


Model No.5603R CIRCULAR SAW 165MM



Model No.5603R CIRCULAR SAW 165MM

Item	Parts No.	Description	I/C	Qty	New/Old	Opt. 1	Opt. 2	Note
002	224311-1	INNER FLANGE 40		1	*			
002-1	224340-4	INNER FLANGE 40	X	1				
003	961156-3	RETAINING RING S-40		1				
004	316598-0	SAFETY COVER		1	*			
004-1	316598-0	SAFETY COVER	O	1				
005	231797-2	TENSION SPRING 4		1	*			
005-1	231844-9	TENSION SPRING 4	<	1				
006	316683-9	BEARING BOX		1	*			
006-1	316884-9	BEARING BOX	X	1	*			
006-2	317469-4	BEARING BOX	S	1				
007	211129-9	BALL BEARING 6201DDW		1	*			
007-1	211227-9	BALL BEARING 6002DDW	X	1	*			
007-2	211236-8	BALL BEARING 6002DDW	O	1				
008	267126-3	FLAT WASHER 22		1				
009	285831-0	BEARING RETAINER 19-34		1				
010	322675-8	SPINDLE		1	*			
010-1	322922-7	SPINDLE	X	1				
011	254011-9	WOODRUFF KEY 4		1	*			
012	226425-2	HELICAL GEAR 41		1	*			
012-1	226474-9	HELICAL GEAR 41	X	1				
013	267118-2	FLAT WASHER 6		1	*			
014	211019-6	BALL BEARING 626		1	*			
014-1	211034-0	BALL BEARING 608	X	1				
015	265034-2	+ COUNTERSUNK HEAD SCREW M5X16		2				
016	415438-0	ROLLER 20		2				
017	415437-2	ROLLER PIN 6		2				
018	224306-4	OUTER FLANGE 40		1	*			
018-1	224338-1	OUTER FLANGE 40	X	1				
019	266024-8	HEX. SOCKET HEAD BOLT M6X20		1	*			
019-1	266139-1	HEX. SOCKET HEAD BOLT M6X16	X	1				
020	819064-1	MAKITA MARK		1				
021	922312-0	HEX. SOCKET HEAD BOLT M6X12		1				
022	266042-6	TAPPING SCREW BIND CT 4X20		3				
023	316687-1	BLADE CASE COVER		1	*			
023-1	316687-1	BLADE CASE COVER	O	1				
024	152477-6	BLADE CASE COMPLETE		1	*			
D10		INC. 35			*			
024-1	152547-1	BLADE CASE COMPLETE	X	1	*			
D10		INC. 35			*			
024-2	152547-1	BLADE CASE COMPLETE	O	1				

Please order the parts with part number.

Print Date 17/6/2019

Model No.5603R CIRCULAR SAW 165MM

Item	Parts No.	Description	I/C	Qty	New/Old	Opt. 1	Opt. 2	Note
D10		INC. 35						
025	233092-6	COMPRESSION SPRING 5		1				
026	211129-9	BALL BEARING 6201DDW		1				
027	344114-8	SHAFT LOCK		1				
028	241876-8	FAN 76		1				
029C_	516223-5	ARMATURE ASS'Y 220V		1				
D10		INC. 26,28,31,32						
030	415503-5	BAFFLE PLATE		1				
031	681625-5	INSULATION WASHER		1				
032	211031-6	BALL BEARING 608LLB		1	*			
032-1	210005-4	BALL BEARING 608DDW	X	1				
033C_	634233-1	FIELD 220V		1				
034	632503-2	SUPPORT COMPLETE		1	*			
034-1	135793-1	SUPPORT ASS'Y	X	1				
C10	654020-2	RING TERMINAL		2				
C20	654501-6	CONNECTOR P-1.25		2				
035	263005-3	RUBBER PIN 6		1				
036A_	266110-5	TAPPING SCREW FLANGE PF5X60		2	*			
036A1	266044-2	TAPPING SCREW 5X60	O	2				
037	272230-5	LEVER 54		1				
038	231955-0	RING SPRING 12		1				
039	252134-7	HEX. NUT M8		1				
040A_	266111-3	TAPPING SCREW FLANGE PF 5X25		5	*			
040A1	266041-8	TAPPING SCREW 5X25	O	5				
041	182675-8	HANDLE SET		1				
D10		INC. 56						
042A_	858231-3	NAME PLATE 5603R		1				
043	415439-8	SWITCH LEVER		1				
044	651922-3	SWITCH TG71B		1				
045	231230-4	COMPRESSION SPRING 4		1				
046A_	266121-0	TAPPING SCREW FLANGE PF 4X18		2	*			
046A1	265995-6	TAPPING SCREW 4X18	O	2				
047B_	687063-9	CORD CLAMP		1	*			
047B1	687052-4	STRAIN RELIEF	X	1				
048	415440-3	LOCK-OFF BUTTON		1				
049B_A	645118-6	NOISE SUPPRESSOR		1	*			
049B_B	645118-6	NOISE SUPPRESSOR		1	*			
049B1A	645142-9	NOISE SUPPRESSOR	O	1				
049B1B	645142-9	NOISE SUPPRESSOR	O	1				
050A_	682540-6	CORD GUARD 9.3-90		1				

Please order the parts with part number.

Print Date 17/6/2019

Model No.5603R CIRCULAR SAW 165MM

Item	Parts No.	Description	I/C	Qty	New/Old	Opt. 1	Opt. 2	Note
051M_	665865-3	POWER SUPPLY CORD 1.0-2-2.5		1				
052	262511-5	RUBBER SLEEVE 6		1				
053	266019-1	CAP SQUARE NECK BOLT M8X98		1				
054	253783-3	FLAT WASHER 6		1				
055	165093-5	RIVING KNIFE		1				
056	182675-8	HANDLE SET		1				
D10		INC. 41						
057	331432-3	PIPE 9		1				
058	941201-0	FLAT WASHER 8		1				
059	252624-0	WING NUT M6		1				
060	941151-9	FLAT WASHER 6		1				
061	951204-6	SPRING PIN 6-16		1				
062	921332-1	HEX. BOLT M6X20		1				
063	316597-2	DEPTH GUIDE		1				
064	159714-9	MOTOR HOUSING COMPLETE		1				
C10	643754-2	BRUSH HOLDER		2	*			
C11	643708-9	BRUSH HOLDER 5-11	O	2				
065	911278-9	PAN HEAD SCREW M5X55		3				
066	191963-2	CARBON BRUSH CB-303		1				
067	643750-0	BRUSH HOLDER CAP 7-11		2				
068	921332-1	HEX. BOLT M6X20		1				
069	415443-7	ANGULAR PLATE GUIDE		1				
070	251887-5	SCREW M6X10		1	*			
070-1	265725-5	WING BOLT M6X10	O	1				
071	941151-9	FLAT WASHER 6		1				
072	252624-0	WING NUT M6		1				
073A_	266121-0	TAPPING SCREW FLANGE PF 4X18		2	*			
073A1	265995-6	TAPPING SCREW 4X18	O	2				
074	256690-9	PIN 10		1				
075	163358-9	BASE		1	*			
075-1	163358-9	BASE	O	1				
076	266026-4	TAPPING SCREW BIND CT 4X12		2				
077	213560-5	O RING 44		1				
A01	165108-8	GUIDE RULE		1				
A02	783203-8	HEX. WRENCH 5		1				
A03	B-02917	T.C.T.SAW BLADE 165MM		1				
E03	192420-3	JOINT		1				
C10	266026-4	TAPPING SCREW BIND CT 4X12		2				
E04B	824606-8	PLASTIC CARRYING CASE		1	*			
C10	183336-3	LATCH SET		1	*			

Please order the parts with part number.

Print Date 17/6/2019

Model No.5603R CIRCULAR SAW 165MM

Item	Parts No.	Description	I/C	Qty	New/Old	Opt. 1	Opt. 2	Note
E04-1B	824964-2	PLASTIC CARRYING CASE	S	1				
C10	162271-8	LATCH		2				
C20	450990-1	HANDLE		1				
E05B	837704-9	INNER TRAY	S	1				

Please order the parts with part number.

Print Date 17/6/2019