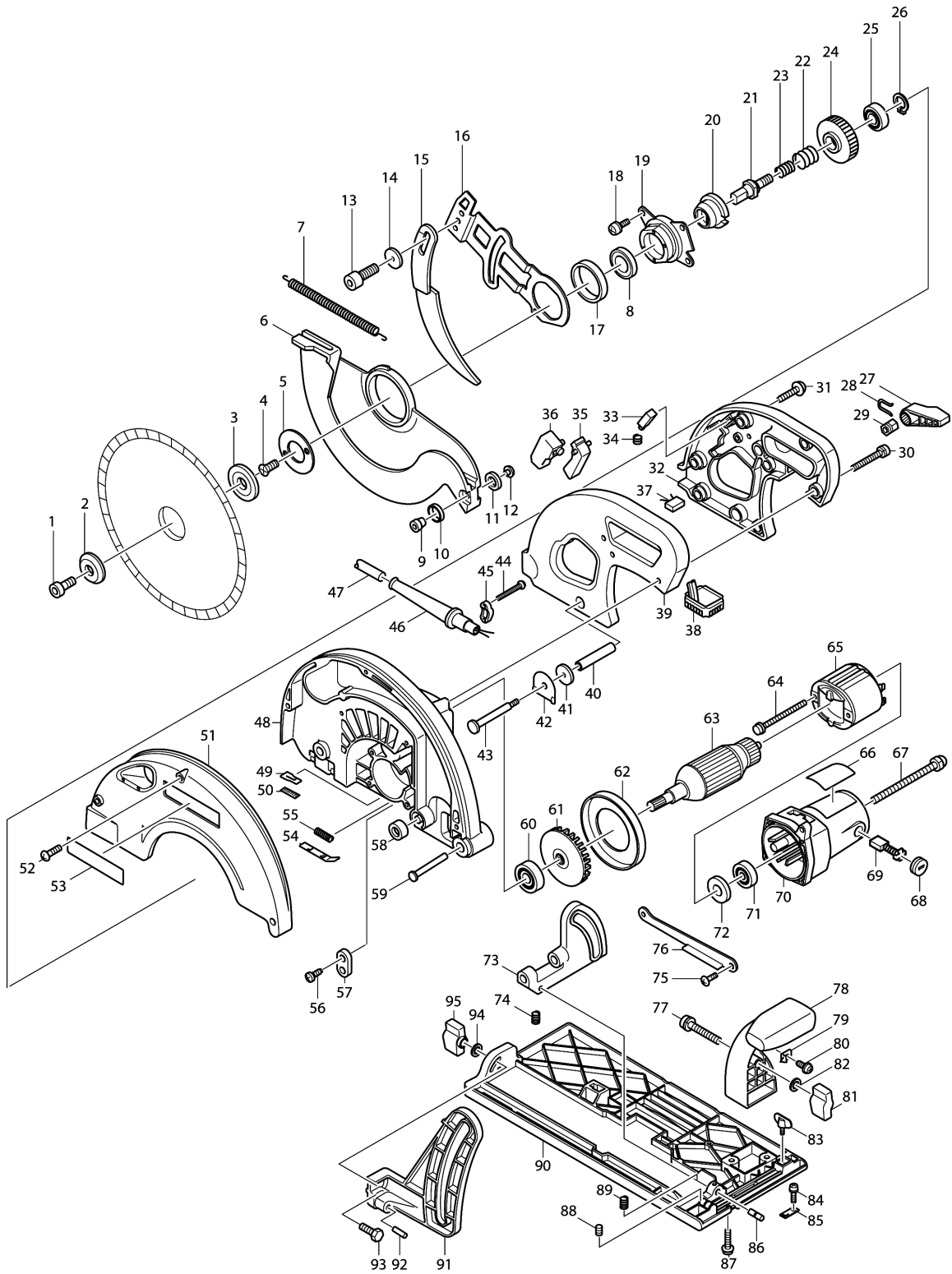


Model No.5103R CIRCULAR SAW 270MM



Model No.5103R CIRCULAR SAW 270MM

Item	Parts No.	Description	I/C	Qty	New/Old	Opt. 1	Opt. 2	Note
001	266083-2	HEX. SOCKET HEAD BOLT M10X25		1				
002	224325-0	OUTER FLANGE 45		1				
003	224326-8	INNER FLANGE 45		1				
004	912222-9	COUNTERSUNK HEAD SCREW M5X16		2				
005	285681-3	BEARING RETAINER 34-62		1				
006	316707-1	SAFETY COVER		1	*			
006-1	318062-7	SAFETY COVER	<	1				
007	231804-1	TENSION SPRING 6		1	*			
007-1	231841-5	TENSION SPRING 6	S	1	*			
007-2	232462-6	TENSION SPRING 6	<	1				
008	211278-2	BALL BEARING 6203DDW		1				
009	415437-2	ROLLER PIN 6		1				
010	415438-0	ROLLER 20		1				
011	415438-0	ROLLER 20		1				
012	415437-2	ROLLER PIN 6		1				
013	922422-3	HEX. SOCKET HEAD BOLT M8X16		1				
014	253814-8	FLAT WASHER 8		1	*			
014-1	267284-5	FLAT WASHER 8	<	1				
015	165134-7	RIVING KNIFE		1	*			
015-1	345750-3	RIVING KNIFE	S	1				
016	344260-7	RIVING KNIFE HOLDER		1	*			
016-1	345752-9	RIVING KNIFE HOLDER	<	1				
017	344303-5	THICKNESS RING		1				
018	911223-4	PAN HEAD SCREW M5X16		4				
019	316709-7	BEARING BOX		1				
020	322830-2	LOCK SLEEVE		1				
021	322827-1	SPINDLE		1				
022	231968-1	LOCK SPRING 27		1				
023	231969-9	LOCK SPRING 20		1				
024	226452-9	HELICAL GEAR 39		1				
025	211104-5	BALL BEARING 6001		1				
026	961052-5	RETAINING RING S-12		1				
027	272230-5	LEVER 54		1				
028	231955-0	RING SPRING 12		1				
029	252134-7	HEX. NUT M8		1				
030	911263-2	PAN HEAD SCREW M5X40		3				
031	266041-8	TAPPING SCREW 5X25		4				
032	182773-8	HANDLE SET		1				
D10		INC. 39						
033	415440-3	LOCK-OFF BUTTON		1				
034	231230-4	COMPRESSION SPRING 4		1				

Please order the parts with part number.

Print Date 25/3/2020

Model No.5103R CIRCULAR SAW 270MM

Item	Parts No.	Description	I/C	Qty	New/Old	Opt. 1	Opt. 2	Note
035	415439-8	SWITCH LEVER		1				
036	651923-1	SWITCH TG70B		1				
037	645105-5	NOISE SUPPRESSOR		1				
037A_	645200-1	NOISE SUPPRESSOR		1				
038A_	631209-9	CONTROLLER 200/220/240V		1				
039	182773-8	HANDLE SET		1				
D10		INC. 32						
040	331469-0	PIPE 9		1				
041	253814-8	FLAT WASHER 8		1	*			
041-1	267216-2	FLAT WASHER 8	O	1				
042	232151-3	LEAF SPRING		1				
043	266019-1	CAP SQUARE NECK BOLT M8X98		1				
044	265995-6	TAPPING SCREW 4X18		2				
045D_	687063-9	CORD CLAMP		1	*			
045D1	687052-4	STRAIN RELIEF	X	1				
046B_	682540-6	CORD GUARD 9.3-90		1	*			
046B1	682505-8	CORD GUARD 10-90	O	1				
047K1	665890-4	POWER SUPPLY CORD 1.0-2- 4.0		1				
048	152499-6	BLADE CASE COMPLETE		1	*			
C10	263005-3	RUBBER PIN 6		1	*			
048-1	158090-8	BLADE CASE COMPLETE	S	1				
C10	263005-3	RUBBER PIN 6		1				
049	443098-8	FELT		1				
050	344263-1	PLATE		1				
051	316705-5	BLADE CASE COVER		1				
052	266036-1	TAPPING SCREW BIND CT 5X20		3				
053	819084-5	MAKITA LABEL		1				
054	344261-5	SHAFT LOCK		1				
055	233084-5	COMPRESSION SPRING 6		1	*			
055-1	233092-6	COMPRESSION SPRING 5	O	1	*			
055-2	233084-5	COMPRESSION SPRING 6	O	1				
056	266034-5	TAPPING SCREW CT 4X16		2				
057	687053-2	STRAIN RELIEF		1				
058	262007-6	RUBBER RING 8		1				
059	268008-2	PIN 10		1				
060	211227-9	BALL BEARING 6002DDW		1	*			
060-1	211236-8	BALL BEARING 6002DDW	O	1				
061	241889-9	FAN 74		1				
062	415768-9	BAFFLE PLATE		1				
063B_	516653-0	ARMATURE ASS'Y 220/240V		1				
D10		INC. 71,72						

Please order the parts with part number.

Print Date 25/3/2020

Model No.5103R CIRCULAR SAW 270MM

Item	Parts No.	Description	I/C	Qty	New/Old	Opt. 1	Opt. 2	Note
064	911944-8	PAN HEAD SCREW M5X80		2				
065B_	636113-7	FIELD 220/240V		1	*			
065B1	596318-0	FIELD ASS'Y 220-240V	S	1				
C10	654197-3	RING TERMINAL		2				
C20	654502-4	CONNECTOR P-2		2				
066	857935-4	NAME PLATE 5103R		1				
067	911288-6	PAN HEAD SCREW M5X65		4				
068	643700-5	BRUSH HOLDER CAP 7-18		2				
069	191953-5	CARBON BRUSH CB-203		1				
070B_	159843-8	MOTOR HOUSING 200-240V		1	*			
C10	632542-2	SUPPORT UNIT 200-240V		1	*			
C20	643705-5	BRUSH HOLDER		2	*			
C21	643707-1	BRUSH HOLDER	O	2	*			
070B1	158628-9	MOTOR HOUSING 200-240V	S	1				
C10	643712-8	BRUSH HOLDER		2				
071	211056-0	BALL BEARING 629LLB		1	*			
071-1	210042-8	BALL BEARING 629LLB	O	1				
072	681633-6	INSULATION WASHER		1				
073	316779-6	ANGULAR PLATE		1				
074	266039-5	H.S.SET SCREW(FLAT POINT) M6X6		1				
075	265028-7	+ PAN HEAD SCREW M4X11		1				
076	152511-2	LINK COMPLETE		1				
077	921477-5	HEX. BOLT M8X55		1				
078	415722-3	ANGULAR PLATE GUIDE		1				
079	816128-2	POINTER		1				
080-1	266020-6	TAPPING SCREW 4X12		1				
081	252626-6	WING NUT		1				
082	941201-0	FLAT WASHER 8		1				
083	265701-9	THUMB SCREW M6X14		1				
084	911108-4	PAN HEAD SCREW M4X8		1	*			
084-1	911109-2	PAN HEAD SCREW M4X8	<	1				
085	415433-0	TOP GUIDE		1				
086	256231-1	PIN 6		1				
087	266021-4	TAPPING SCREW 5X20		2				
088	266039-5	H.S.SET SCREW(FLAT POINT) M6X6		1				
089	265993-0	H.S.SET SCREW(CUP POINT)M4X5		1				
090	316706-3	BASE		1	*			
090-1	316706-3	BASE	O	1				
091	316708-9	DEPTH GUIDE		1				
092	951210-1	SPRING PIN 6-20		1				
093	921342-8	HEX. BOLT M6X25		1				

Please order the parts with part number.

Print Date 25/3/2020

Model No.5103R CIRCULAR SAW 270MM

Item	Parts No.	Description	I/C	Qty	New/Old	Opt. 1	Opt. 2	Note
094	941151-9	FLAT WASHER 6		1				
095	252624-0	WING NUT M6		1				
A01	A-80008	T.C.T. SAW BLADE 270X18TX30		1	*			
A01-1	B-12859	TCT SAW BLADE 270X18TX30	O	1				
A02	165084-6	GUIDE RULE		1				
A03	783204-6	HEX. WRENCH 6		1				
B01	192419-8	JOINT		1				
D10		INC. E06,E07						
E02	654079-9	INSULATED RECEPTACLE DF1.25		4				
E03	654509-0	CONNECTOR 2-SD		4				
E04	654510-5	INSULATED CONNECTOR 5.5- SD		1				
E05	654082-0	INSULATED RECEPTACLE DF2-187A		2				
E06	415426-7	JOINT		1				
E07	266026-4	TAPPING SCREW BIND CT 4X12		2				
E08	651941-9	SWITCH V-15-2A5		1				

Please order the parts with part number.

Print Date 25/3/2020