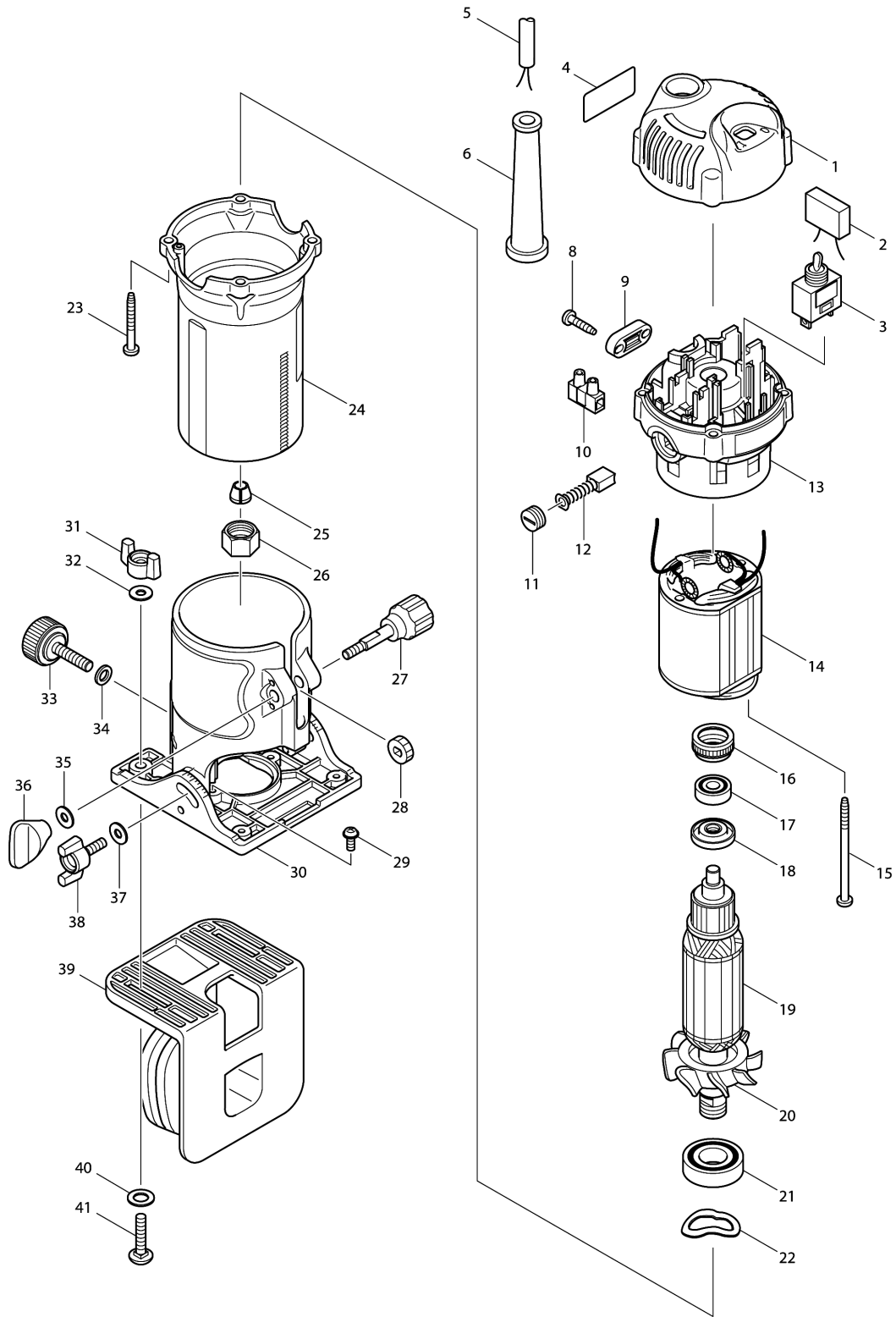


Model No.3710 TRIMMER



Model No.3710 TRIMMER

Item	Parts No.	Description	I/C	Qty	New/Old	Opt. 1	Opt. 2	Note
001	419137-6	TOP COVER		1				
002	645200-1	NOISE SUPPRESSOR		1				
003	651425-7	SWITCH STL115ADT		1	*			
003-1	651066-9	SWITCH ST115A-TB-S1	O	1				
004	861701-3	3710 NAME PLATE		1				
005	665394-6	POWER SUPPLY CORD 1.0-2-2.5		1				
006	682569-2	CORD GUARD 8-85		1				
008	266326-2	TAPPING SCREW 4X18		2				
009	687124-5	STRAIN RELIEF		1				
010	654532-5	TERMINAL BLOCK 1P		1				
011	643550-8	BRUSH HOLDER CAP 5-8		2				
012	191940-4	CARBON BRUSH CB-411		1				
013	154669-3	BRACKET COMPLETE		1	*			
C10	643455-2	BRUSH HOLDER 6X9		2	*			
013-1	140L18-2	BRACKET COMPLETE	<	1				
C10	643455-2	BRUSH HOLDER 6X9		2				
014	590019-2	FIELD ASS'Y 240V		1	*			
C10	654100-4	RING TERMINAL		2	*			
C20	654501-6	CONNECTOR P-1.25		2	*			
014-1	590087-5	FIELD ASSY 240V	O	1				
C10	654100-4	RING TERMINAL		2				
C20	654501-6	CONNECTOR P-1.25		2				
015	266340-8	TAPPING SCREW 4X65		2				
016	421494-0	RUBBER RING 19		1				
017	210034-7	BALL BEARING 607LLB		1				
018	681668-7	INSULATION WASHER		1	*			
018-1	681668-7	INSULATION WASHER	O	1				
019	515634-1	ARMATURE ASS'Y 240V		1				
D10		INC. 17,18,20,21						
020	241667-7	FAN 52		1				
021A	211223-7	BALL BEARING 6002DDW		1	*			
021-1A	211223-7	BALL BEARING 6002DDW	O	1	*			
021-1B	211223-7	BALL BEARING 6002DDW		1	*			
021-2	211489-9	BALL BEARING 6002LLUX	O	1				
022	267785-3	WAVE WASHER 23		1				
023	266351-3	TAPPING SCREW 4X35		4				
024	154668-5	MOTOR HOUSING COMPLETE		1				
C10	816817-9	SCALE LABEL		1				
025	763662-2	COLLET CONE 6		1				
026	763661-4	COLLET NUT 6		1				
027	265771-8	THUMB SCREW M5X33		1				
028	226217-9	SPUR GEAR 16		1				

Please order the parts with part number.

Print Date 8/9/2020

Model No.3710 TRIMMER

Item	Parts No.	Description	I/C	Qty	New/Old	Opt. 1	Opt. 2	Note
029	911114-9	PAN HEAD SCREW M4X10		2				
030	154670-8	BASE COMPLETE		1				
C10	256093-7	PIN 4		2				
C20	419140-7	BASE HOLDER		1				
031	252653-3	THUMB NUT M5		2				
032	941101-4	FLAT WASHER 5		2				
033A	265763-7	THUMB SCREW M6X25		1	*			
033-1A	251814-2	SCREW M6X18	<	1				
033-1B	251814-2	SCREW M6X18		1				
034	941151-9	FLAT WASHER 6		1				
035	941101-4	FLAT WASHER 5		1				
036	252652-5	THUMB NUT M5		1				
037	941101-4	FLAT WASHER 5		2				
038	265761-1	THUMB SCREW M5X16		2				
039	414304-8	TRIMMER SHOE		1				
040	267240-5	FLAT WASHER 8		2				
041	923241-0	CAP SQUARE NECK BOLT M5X25		2				
A01	122703-7	TRIMMER GUIDE ASS'Y		1				
C70	345430-1	HOOK		1	*			
C71	341136-9	HOOK	O	1				
C71	341136-9	HOOK		1				
C10	251471-6	- FLAT HEAD SCREW M5		1				
C20	265135-6	+ COUNTERSUNK HEAD SCREW M4X10		1				
C30	265763-7	THUMB SCREW M6X25		1				
C40	265764-5	THUMB SCREW M6		1				
C50	317788-8	GUIDE HOLDER		1				
C60	324378-0	ROLLER 11		1				
C80	941151-9	FLAT WASHER 6		1				
A02	122704-5	STRAIGHT GUIDE ASS'Y		1				
C30	345432-7	GUIDE PLATE		1	*			
C31	343593-7	GUIDE PLATE	O	1				
C31	343593-7	GUIDE PLATE		1				
C10	252649-4	THUMB NUT M6		1				
C20	266339-3	CAP SQUARE NECK BOLT M6X20		1				
A03A	345433-5	TEMPLET GUIDE 10		1	*			
A03-1A	343577-5	TEMPLET GUIDE 10	O	1				
A03-1B	343577-5	TEMPLET GUIDE 10		1				
A04	781036-5	WRENCH 10		1				
A05	781037-3	WRENCH 17		1				
A06	733239-7	STRAIGHT BIT 6		1				

Model No.3710 TRIMMER

Item	Parts No.	Description	I/C	Qty	New/Old	Opt. 1	Opt. 2	Note
A10B	821550-0	CONNECTOR PLASTIC CASE (TYPE2)		1	*			
C10	453974-8	LATCH		4	*			
A10-1B	821550-0	CONNECTOR PLASTIC CASE (TYPE2)	<	1				
C10	453974-8	LATCH		4				
A11B	837674-2	INNER TRAY		1				
A12B	800X22-2	3710J INDICATION LABEL		1				
A13B	800X23-0	3710J PLASTIC CASE LABEL		2				
E03	646358-9	LINE COIL		1				

Please order the parts with part number.

Print Date 8/9/2020